

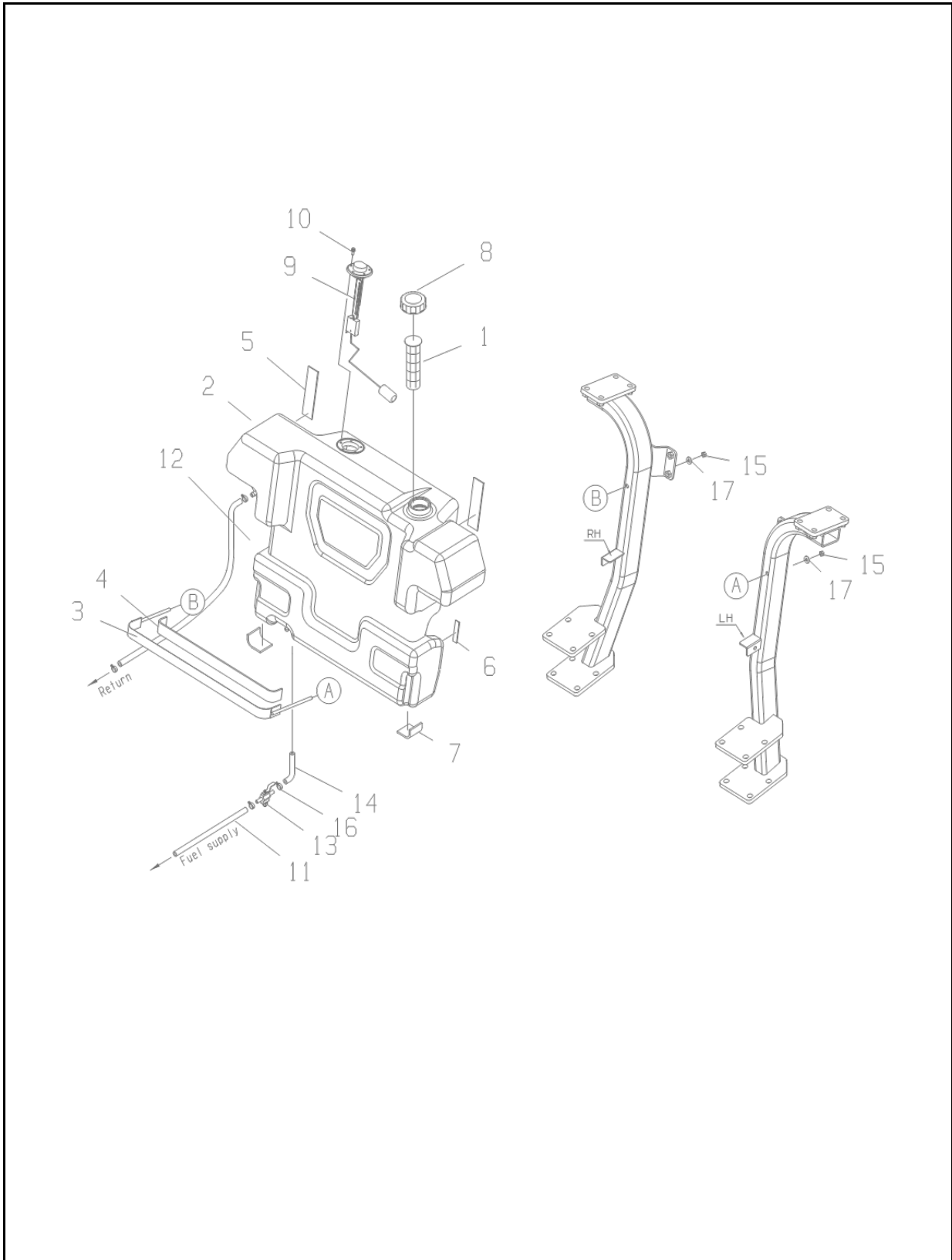
	CODE	MODEL	ENGINE
-	A	i30/38	LSC 3 CYLINDER
-	B	i28/36	MHI 4 CYLINDER
-	MEC	MECHANICAL TRANSMISSION	
-	HST	HYDROSTAT TRANSMISSION	
-	M/PTO	MID MOUNT PTO	

NOT AVAILABLE IN THE STATES NOW  
STANDARD

# FUEL TANK

FIG. 2-1

G. 040



# FUEL TANK

A-NOT AVAILABLE / B-i28,i36

A-NOT AVAILABLE / B-i28,i36

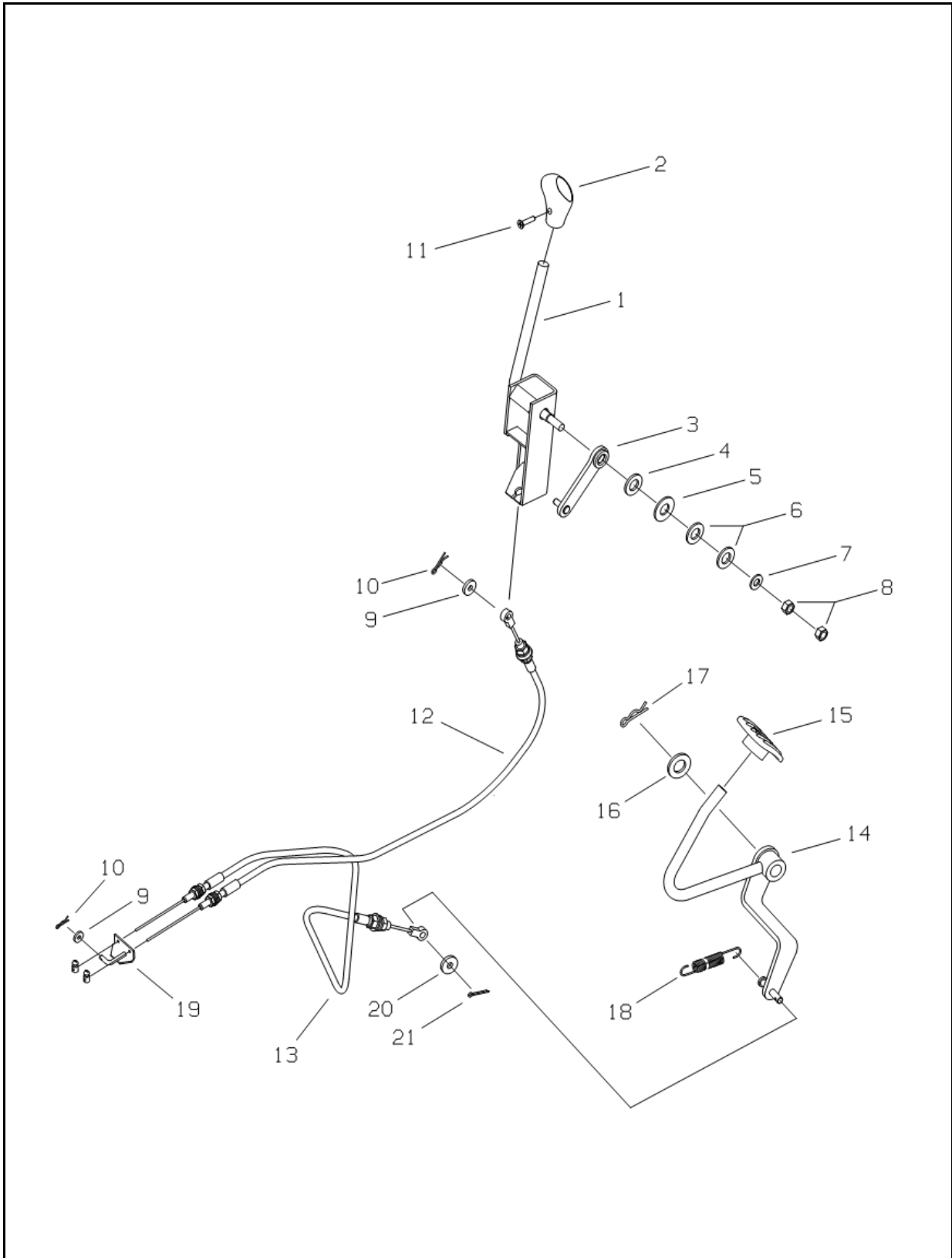
**FIG. 2-1**

NO.	PART NO.	PART NAME & DESCRIPTION		QTY			APP.NO	REM.
				A	B	C		
1-10	A1040241	FUEL TANK ASSY		1	1			
1	A1040052	STRAINER,FUEL TANK		1	1			
2	A1040242	TANK, FUEL	40 LITER	1	1			
3	A1040245	BAND, FUEL TANK		1	1			
4	A1040231	SPONGE,BAND	651x40x5t	1	1			
5	A1040220	SPONGE,RUBBER	150x40x5t	2	2			
6	A1040243	SPONGE,BACK LPW	65x15x5t	2	2			
7	A1040244	SPONGE,BOTTOM	74x50x5t	2	2			
8	A1040170	CAP ASSY		1	1			
9	A1040246	GAUGE,FUEL		1	1			
10	S153051613	SCREW,W/WASHER		5	5			
11	A1040074	HOSE, FUEL	Φ8.5-1630 mm	1	1			
12	A1040097	HOSE, FUEL RETURN	Φ8.5-2200 mm	1	1			
13	A1040127	COCK,FUEL TANK		1	1			
14	A1040229	HOSE, VALVE COCK	Φ8.5-50 mm	1	1			
15	A1877079	NUT, LOCK		2	2			
16	A1970380	CLAMP, HOSE		6	6			
17	S365082013	WASHER, PLN. L-RD.	Φ20x8.4x2.6t	2	2			

# ENGINE CONTROL

FIG. 2-2B

G. 100



# ENGINE CONTROL

A-NOT AVAILABLE / B-i28,i36

A-NOT AVAILABLE / B-i28,i36

**FIG. 2-2B**

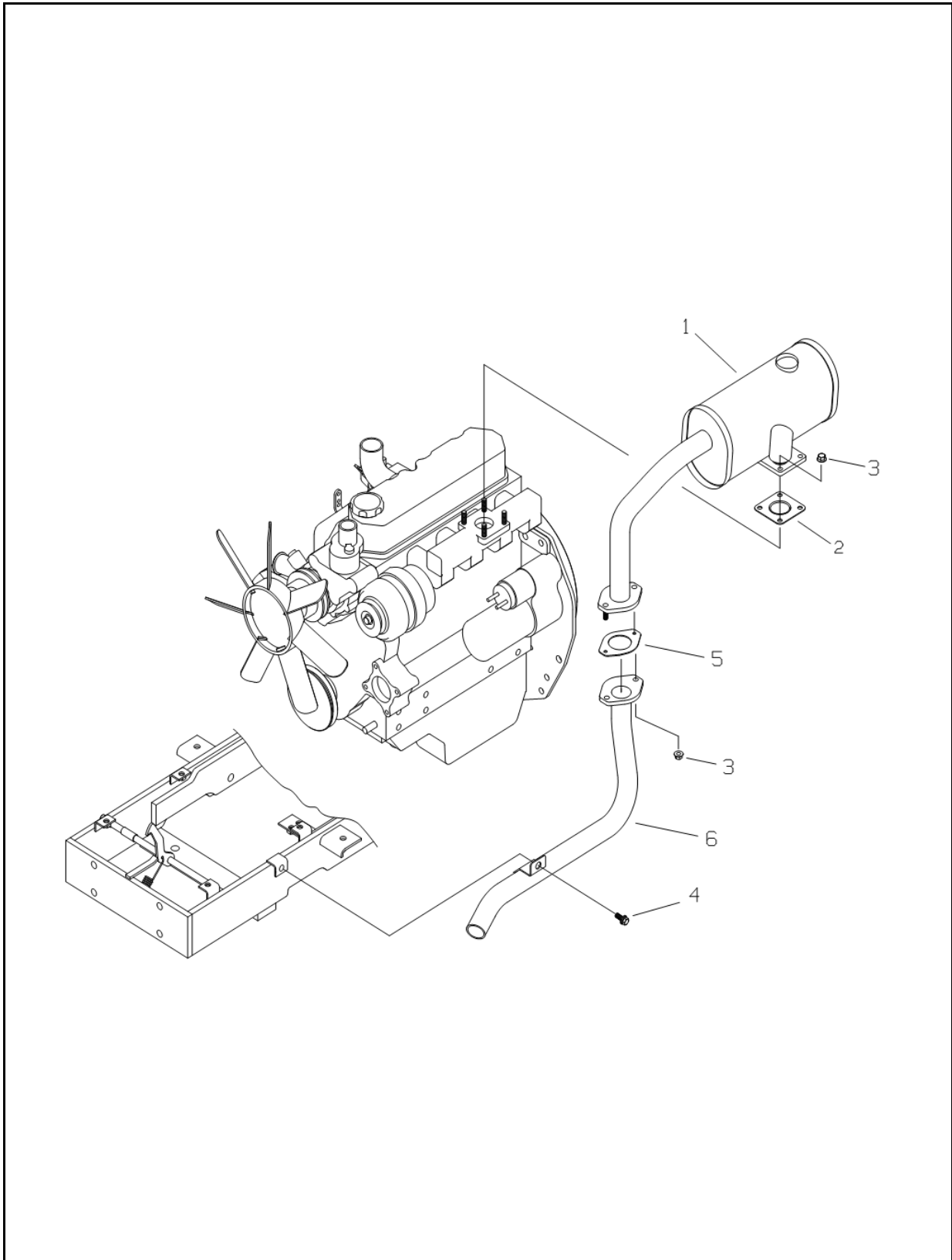
**( S4L )**

NO.	PART NO.	PART NAME & DESCRIPTION	QTY			APP.NO	REM.
			A	B	C		
1	A1100125	LEVER, ACC.	*	1			
2	A1970393	KNOB, ACC	*	1			
3	A1100131	ARM, ENGINE CONTROL	*	1			
4	S364120013	WASHER, PLAIN	*	1			
5	A1100058	PLATE, FRICTION	*	1			
6	S373120023	PLATE, SPRING	*	2			
7	S364080013	WASHER, PLAIN	*	1			
8	S313080013	NUT, HEX.	*	2			
9	A1970286	WASHER, PLASTIC	*	2			
10	S443060013	PIN, SNAP	*	2			
11	S226501011	SCREW, WASHER	*	1			
12	A1100046	WIRE, ACCE. LEVER	*	1			
13	A1100054	WIRE, ACCE. PEDAL	*	1			MEC
14	A1100100	PEDAL, ACCELERATOR	*	1			MEC
15	A1100102	KNOB, ACC PEDAL	*	1			MEC
16	S365123013	WASHER, PLAIN	*	1			MEC
17	S443120013	PIN, SNAP	*	1			MEC
18	3A1100008	SPRING, RETURN	*	1			MEC
19	A1100059	ROD, ENGINE CONTROL	*	1			
20	S363060013	WASHER, PLAIN	*	1			MEC
21	S441251613	PIN, SPLIT	*	1			MEC

# MUFFLER

FIG. 2-3B

G. 150



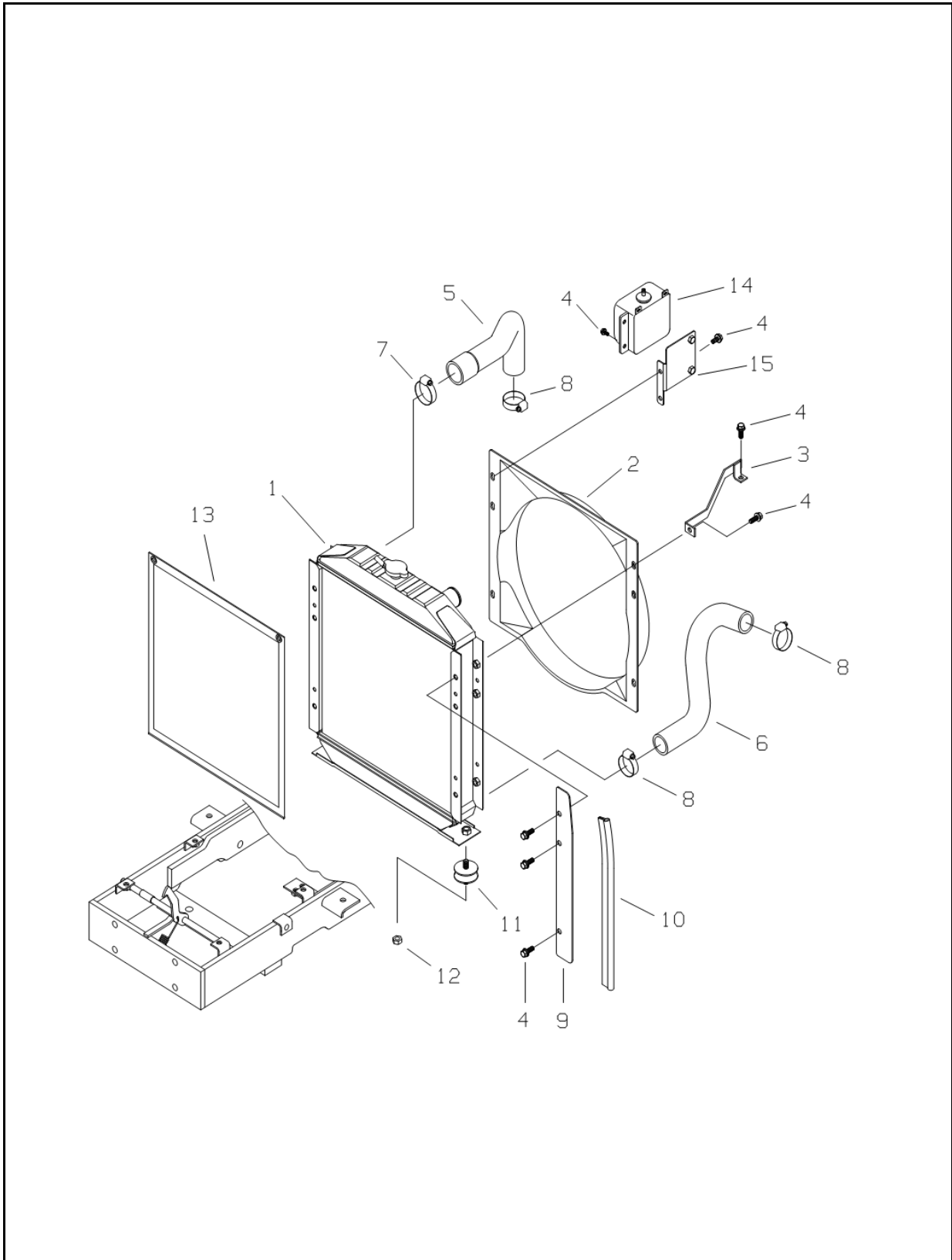




# RADIATOR

FIG. 2-4B

G. 170





# RADIATOR

A-NOT AVAILABLE / B-i28,i36

A-NOT AVAILABLE / B-i28,i36

**FIG. 2-4B**

**( S4L )**

NO.	PART NO.	PART NAME & DESCRIPTION	QTY			APP.NO	REM.
			A	B	C		
1	A1170278	RADIATOR ASSY	*	1			
2	A1170268	SHROUD, FAN	*	1			
3	A1170262	BRACKET, RADIATOR	*	1			
4	S155082033	BOLT, HEX. W/WASHER			M8x1.25x20L	*	13
5	A1170248	HOSE, WATER OUTLET	*	1			
6	A1170249	HOSE, WATER SUCTION	*	1			
7	A1970201H	CLAMP, HOSE	*	1			
8	A1970201G	CLAMP, HOSE	*	3			
9	A1170234	PLATE, WING	*	2			
10	A1170253	WEATHER STRIP	*	2			
11	A1970360	RUBBER, DAMPING	*	2			
12	S346100013	NUT, FLANGE B-TY			M10x1.25P	*	2
13	A1170233	NET, RADIATOR	*	1			
14	A1170031	TANK, RESERVOIR	*	1			
15	A1170270	BRACKET, RESERVOIR TANK	*	1			

# RADIATOR

A-NOT AVAILABLE / B-i28,i36

A-NOT AVAILABLE / B-i28,i36

**FIG. 2-4B**

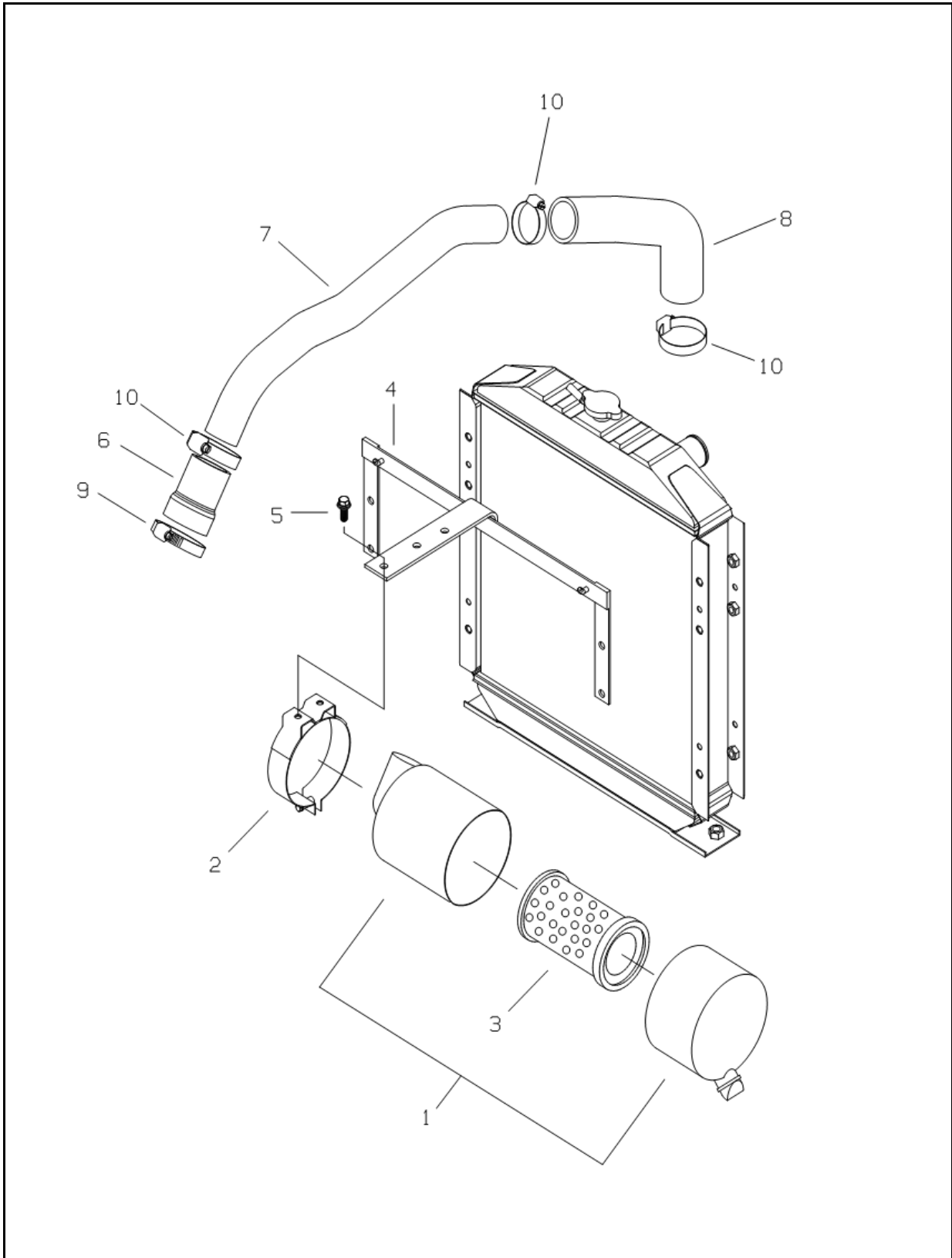
**( S4L )**

NO.	PART NO.	PART NAME & DESCRIPTION	QTY			APP.NO	REM.
			A	B	C		
1	A1170239	RADIATOR ASSY	*	1			
	A1170240	RADIATOR ASSY	*	1			
2	A1170250	SHROUD, FAN	*	1			
	A1170268	SHROUD, FAN	*	1			
3	A1170242	BRACKET, RADIATOR	*	1			
	A1170262	BRACKET, RADIATOR	*	1			
4	S155082033	BOLT, HEX. W/WASHER	M8x1.25x20L	*	13		
5	A1170248	HOSE, WATER OUTLET	*	1			
6	A1170249	HOSE, WATER SUCTION	*	1			
7	A1970201H	CLAMP, HOSE	*	1			
8	A1970201G	CLAMP, HOSE	*	3			
9	A1170234	PLATE, WING	*	2			
10	A1170253	WEATHER STRIP	*	2			
11	A1970360	RUBBER, DAMPING	*	2			
12	S346100013	NUT, FLANGE B-TY	M10x1.25P	*	2		
13	A1170233	NET, RADIATOR	*	1			
14	A1170031	TANK, RESERVOIR	*	1			
15	A1170270	BRACKET, RESERVOIR TANK	*	1			

# AIR CLEANER

FIG. 2-5

G. 190



# AIR CLEANER

A-NOT AVAILABLE / B-i28,i36

A-NOT AVAILABLE / B-i28,i36

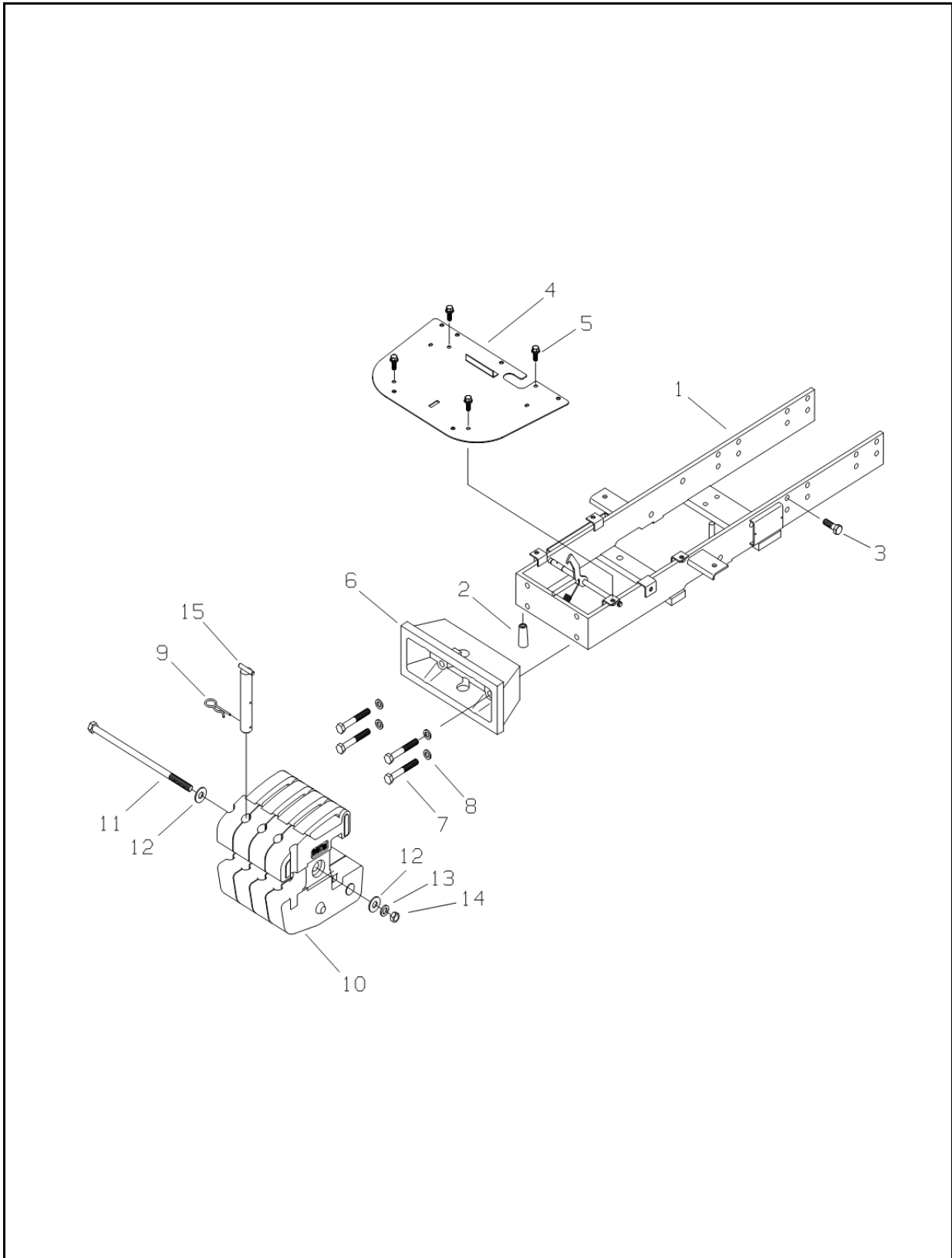
**FIG. 2-5**

NO.	PART NO.	PART NAME & DESCRIPTION	QTY			APP.NO	REM.
			A	B	C		
1	A1190110	AIR CLEANER ASSY	1	1			
2	A1190113	BAND, AIR CLEANER	1	1			
3	A1190111	ELEMENT, PRIMARY	1	1			
4	A1190201	BRACKET, AIR CLEANER	1	*			L3A
	A1190181	BRACKET, AIR CLEANER	*	1			S4L
5	S155082033	BOLT, HEX. W/WASHER	M8x1.25x20L	2	2		
6	A1190163	HOSE, A AIR INTAKE		1	1		
7	A1190207	PIPE, AIR INTAKE		1	*		L3A
	A1190167	PIPE, AIR INTAKE		*	1		S4L
8	A1190179	HOSE, A AIR INTAKE		1	1		
9	A1970201K	CLAMP, HOSE		1	1		
10	A1970201J	CLAMP, HOSE		3	3		

# ENGINE FRAME

FIG. 2-6B

G. 210,215



# ENGINE FRAME

A-NOT AVAILABLE / B-i28,i36

A-NOT AVAILABLE / B-i28,i36

**FIG. 2-6B**

**( S4L )**

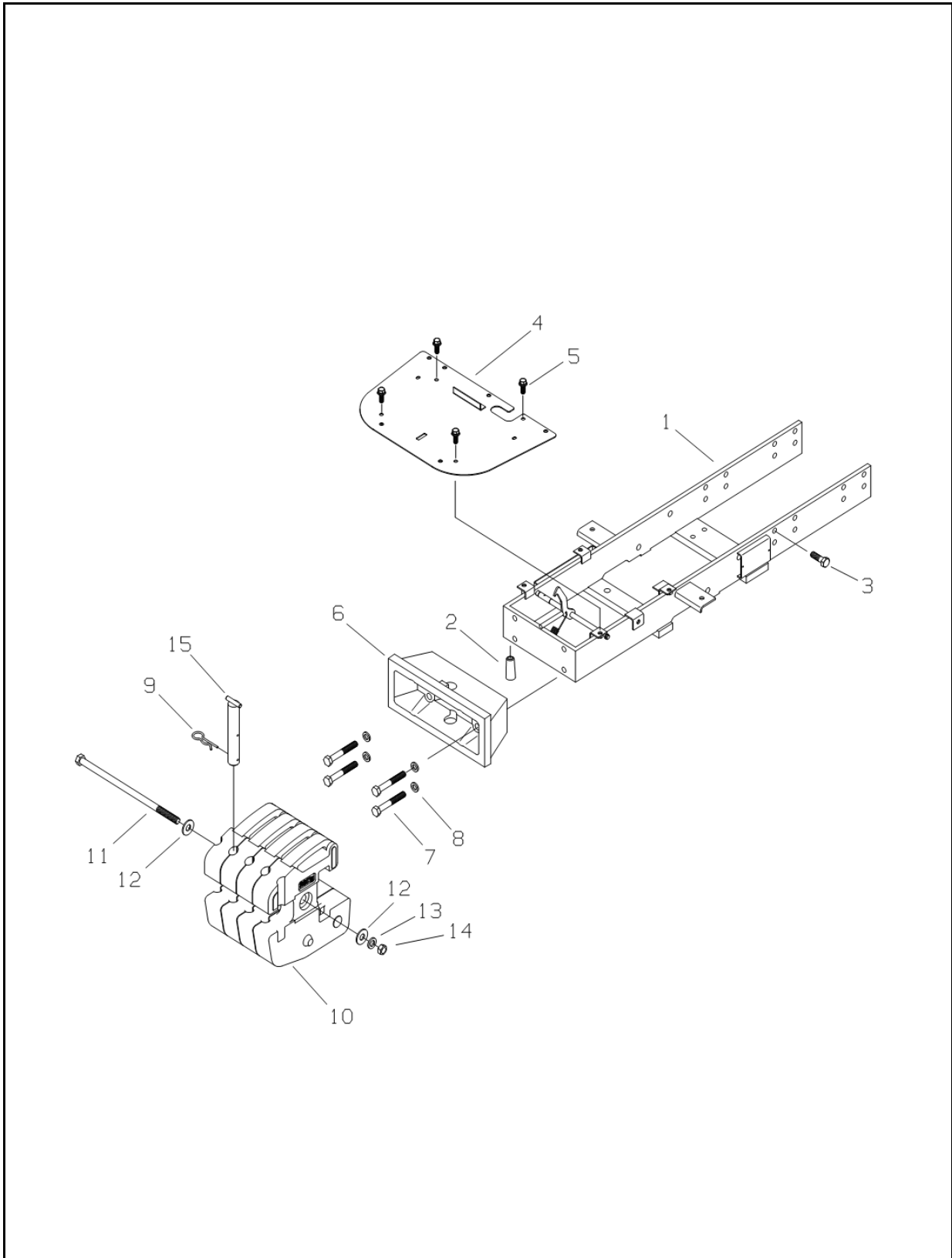
NO.	PART NO.	PART NAME & DESCRIPTION	QTY			APP.NO	REM.
			A	B	C		
1	A1210158	FRAME, ENGINE	*	1			
2	A0710037	GRIP	*	1			
3	S154123533	BOLT, HEX. W/WASHER	*	16			
4	A1210124	PLATE, BOTTOM	*	1			
5	S155082033	BOLT, HEX.			M8x1.25x20L	*	4
6	A1215040	BUMPER	*	1			
7	S104141143	BOLT, HEX.	*	4			
8	S361140013	WASHER, SPRING	*	4	M14		
9	A1970350	PIN,SNAP	*	1			
10	A1215030	WEIGHT, FRONT	*	4			
11	A1215028	BOLT, HEX	*	1			
12	3A0010847	WASHER, STOP	*	2			
13	S361160013	WASHER, SPR. 1-TY	*	1	M16		
14	S314160013	NUT, HEX. S. 2-TY	*	2	M16x1.5P		
15	A1215031	PIN, FRONT HOOK	*	1			



# ENGINE FRAME

FIG. 2-6B

G. 210,215



# ENGINE FRAME

A-NOT AVAILABLE / B-i28,i36

A-NOT AVAILABLE / B-i28,i36

**FIG. 2-6B**

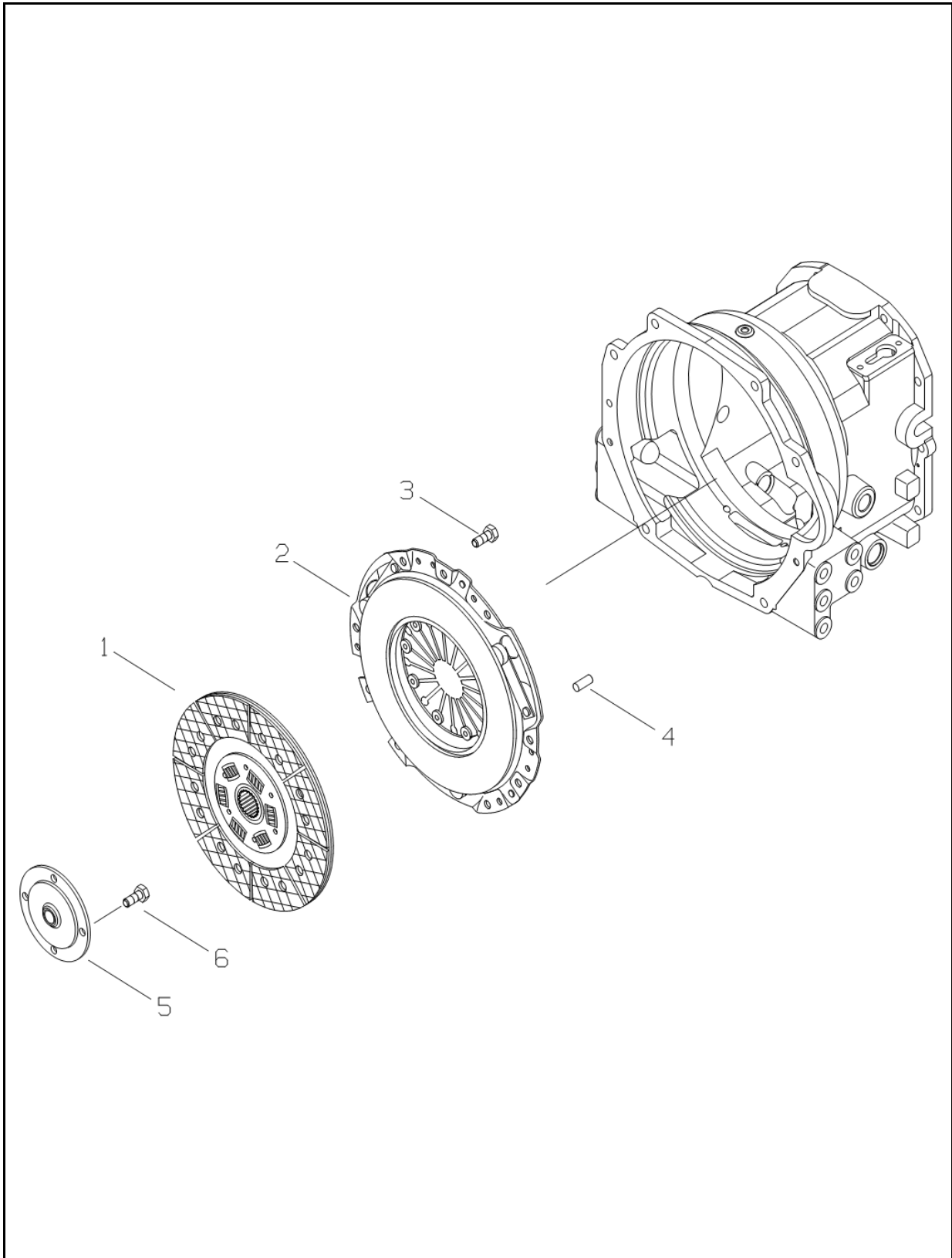
**( S4L )**

NO.	PART NO.	PART NAME & DESCRIPTION	QTY			APP.NO	REM.
			A	B	C		
1	A1210130	FRAME, ENGINE	*	1			
2	A0710037	GRIP	*	1			
3	S154123533	BOLT, HEX. W/WASHER	*	16			
4	A1210124	PLATE, BOTTOM	*	1			
5	S155082033	BOLT, HEX.			M8x1.25x20L	*	4
6	A1215040	BUMPER	*	1			
7	S104141143	BOLT, HEX.	*	4			
8	S361140013	WASHER, SPRING			M14	*	4
9	A1970350	PIN,SNAP	*	1			
10	A1215030	WEIGHT, FRONT	*	4			
11	A1215028	BOLT, HEX	*	1			
12	3A0010847	WASHER, STOP	*	2			
13	S361160013	WASHER, SPR. 1-TY			M16	*	1
14	S314160013	NUT, HEX. S. 2-TY			M16x1.5P	*	2
15	A1215031	PIN, FRONT HOOK	*	1			

# CLUTCH

FIG. 3-1A

G. 250



# CLUTCH

A-NOT AVAILABLE / B-i28,i36

A-NOT AVAILABLE / B-i28,i36

**FIG. 3-1A**

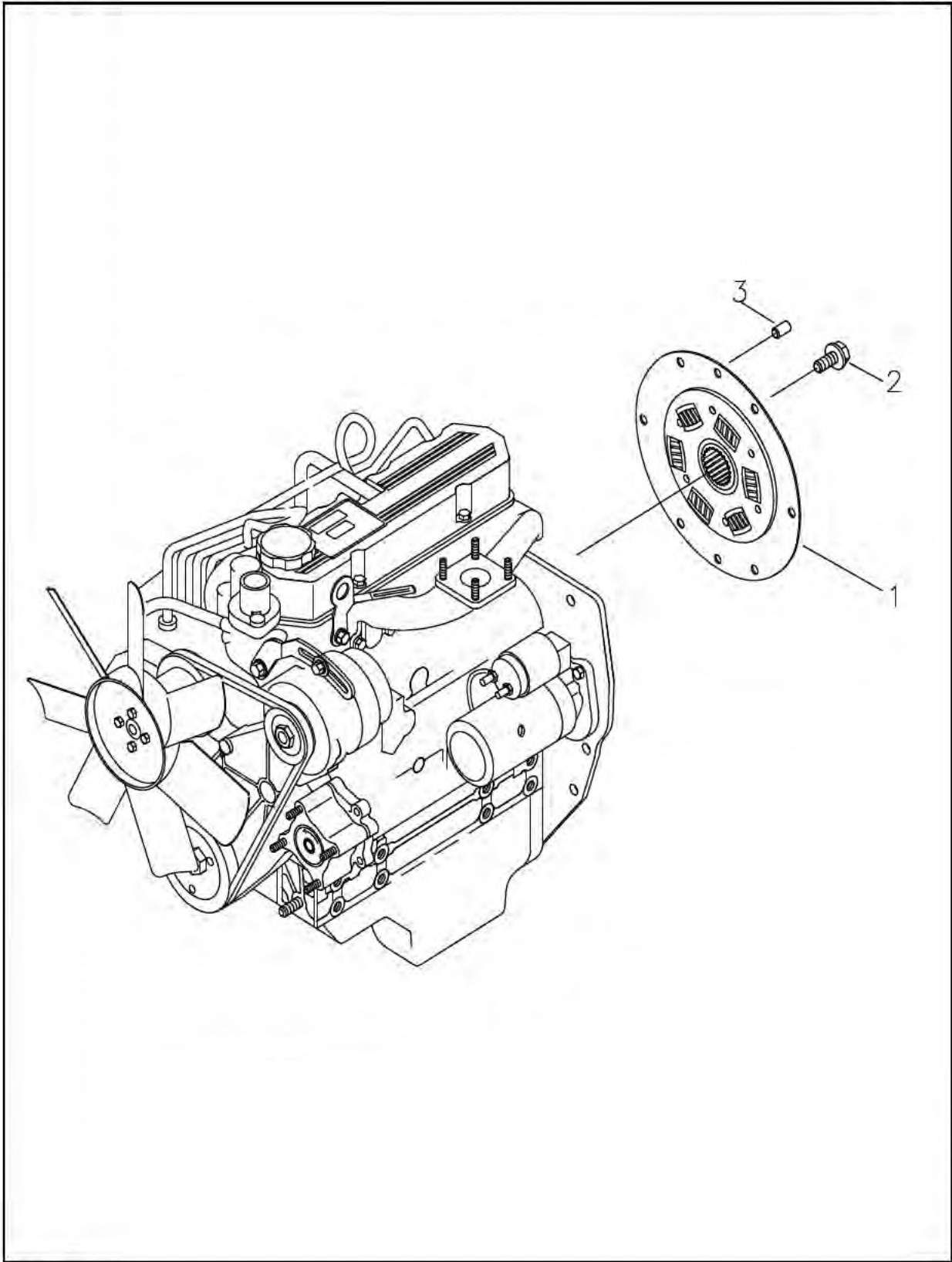
**( MEC )**

NO.	PART NO.	PART NAME & DESCRIPTION	QTY			APP.NO	REM.
			A	B	C		
1~2	A1250111	CLUTCH ASSY	1	1			
1	A1250107	CLUTCH DISK ASSY	1	1			
2	A1250094	CLUTCH COVER ASSY	1	1			
3	S153082533	BOLT, HEX. W/WASHER			M8x1.25x25L	6	6
4	S423081610	PIN, PAR. A-TY.			D8x16L	3	3
5	A1281428	SLEEVE, FLYWHEEL	1	1			
6	S153102533	BOLT, HEX, W/WASHER			M10X1.5X25L	4	4

# DAMPER

FIG. 3-1B

G. 250

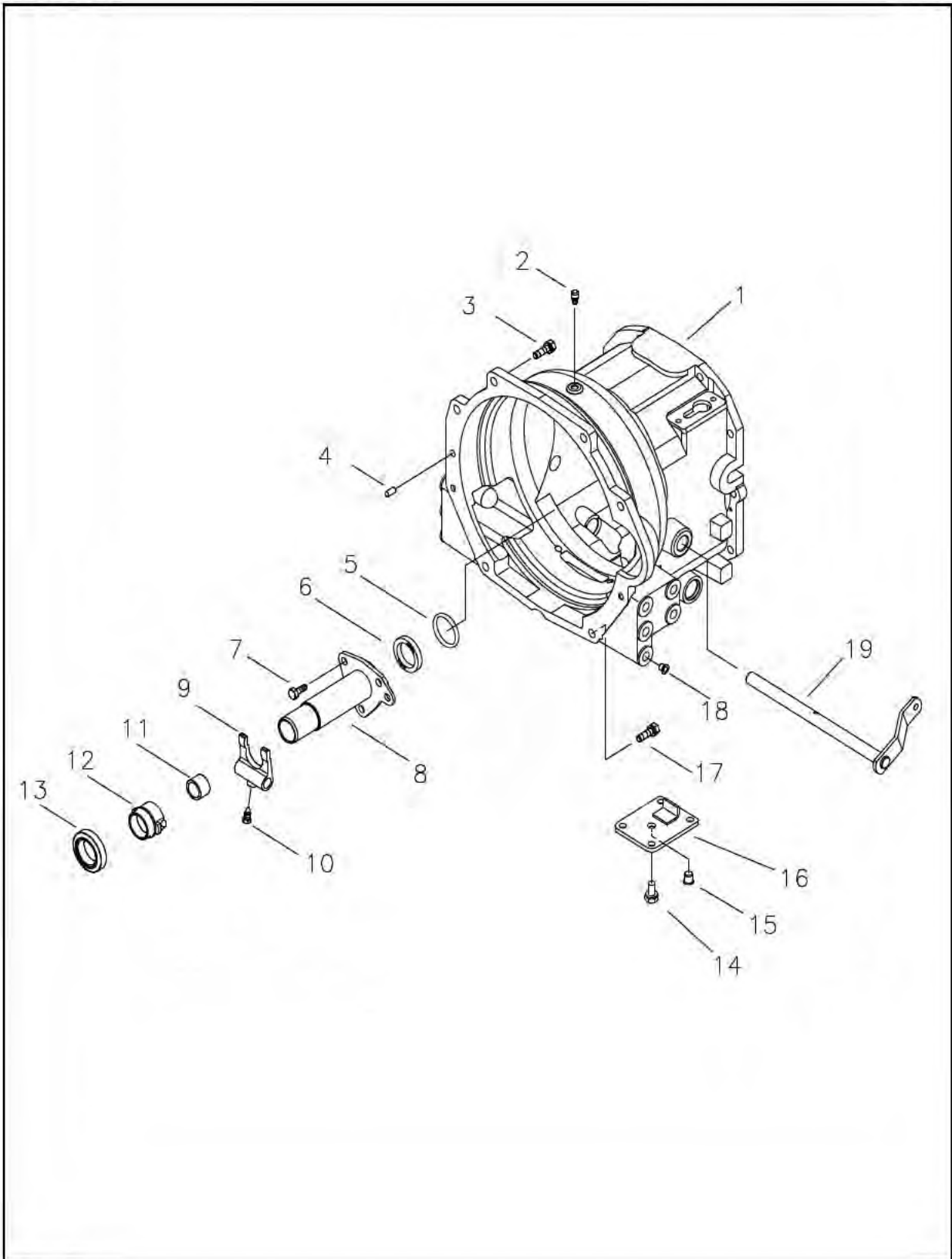




# CLUTCH HOUSING

FIG. 3-2A

G. 250



# CLUTCH HOUSING

A-NOT AVAILABLE / B-i28,i36

A-NOT AVAILABLE / B-i28,i36

**FIG. 3-2A**

**( MEC )**

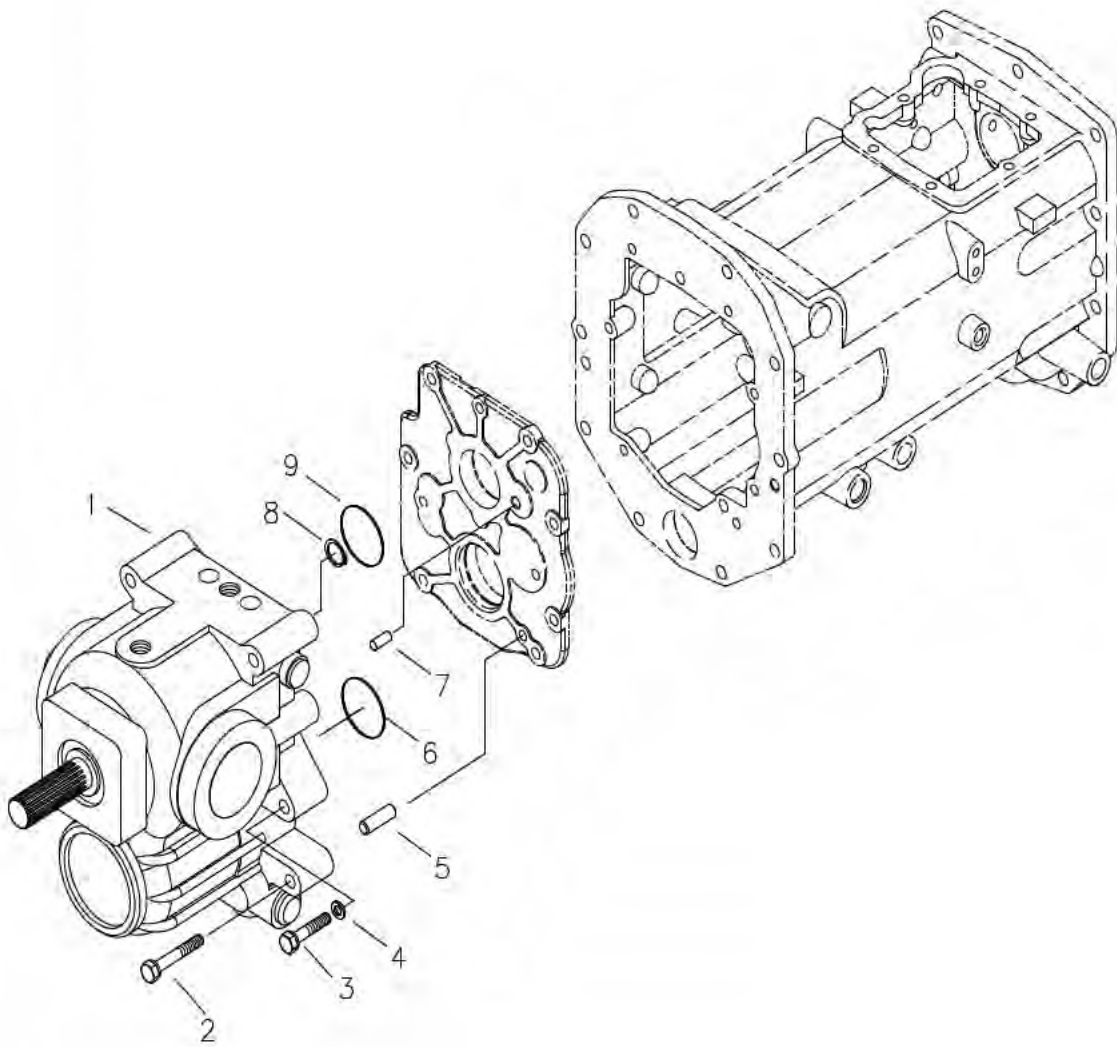
NO.	PART NO.	PART NAME & DESCRIPTION	QTY			APP.NO	REM.
			A	B	C		
1	A1250161	HOUSING, CLUTCH	1	*			L3A
	A1250157	HOUSING, CLUTCH	*	1			S4L
2	A1250049	PLUG, AIR BENT	1	1			
3	S153123533	BOLT, HEX			M12X1.75X35L	6	6
4	S423102010	PIN, PAR. A-TY	2	*			
5	S804060010	O-RING	1	1			
6	A0651302	SEAL, OIL			TC30458	1	1
7	S154102533	BOLT, HES. W/WASHER			M10X1.25X25L	4	4
8	A1250159	COVER, MAIN SHAFT	1	1			
9	A1250045	LEVER, CLUTCH SHIFT	1	1			
10	A1250047	BOLT, LOCKING	1	1	M12x1.25		
11	A1250113	BUSHING,SELF LUB			MB3830DU(OD42xID38x30)	1	1
12	A1250112	HUB, RELEASE BEARING	1	1			
13	A1250062	BEARING, RELEASE			TK45-4BU3(OD73.6xID45x18)	1	1
14	S154102033	BOLT, HEX			M10X1.25X20L	4	4
15	3A1250009	PLUG	1	1			DO
	A1250123	PIN, SPLIT	1	1			EX
16	A1280232	COVER, HST HOUSING	1	1			
17	S153126033	BOLT, HEX. W/WASHER			M12X1.75X60L	2	2
18	3A1970068	PLUG			D12	6	6
19	A1260100	SHAFT, CLUTCH LEVER	1	1			



# HST

FIG. 3-2B

G. 270



**FIG. 3-2B**

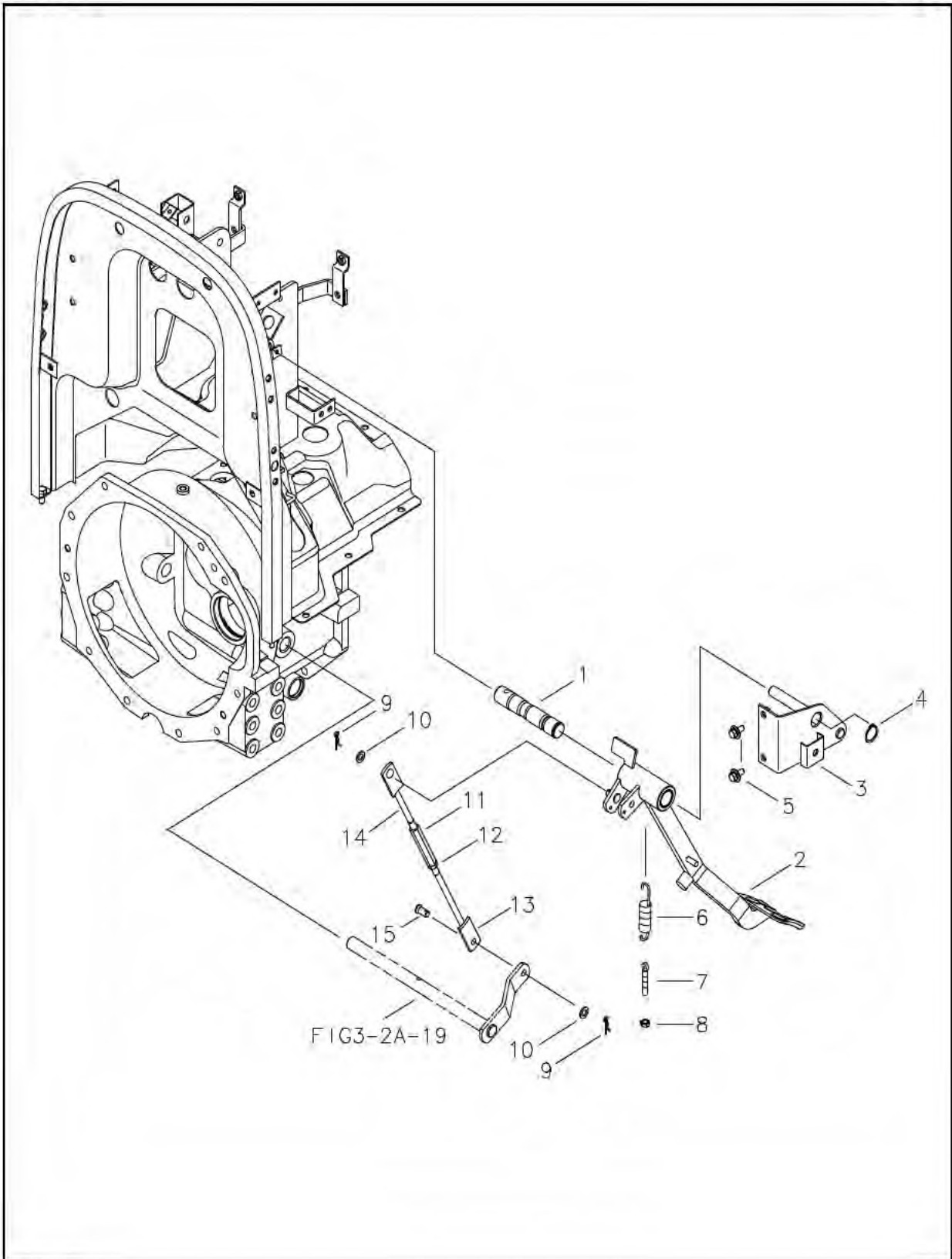
**( HST )**

NO.	PART NO.	PART NAME & DESCRIPTION		QTY			APP.NO	REM.
				A	B	C		
1	A1270007	HST UNIT		1	1			23CC
2	S154107033	BOLT, HEX. W/WASHER	M10x1.25x70L	2	2			
3	S103105043	BOLT, HEX	M10x1.25x50L	2	2			
4	S361100013	WASHER, SPRING		2	2			
5	S423103210	PIN, PAR. A-TY		1	1			
6	S802070010	O-RING		1	1			
7	S423102010	PIN, PAR. A-TY		1	1			
8	S810020001	RING, SNAP		1	1			
9	S802065010	O-RING		1	1			

# CLUTCH PEDAL

FIG. 3-3

G. 260



# CLUTCH PEDAL

A-NOT AVAILABLE / B-i28,i36

A-NOT AVAILABLE / B-i28,i36

**FIG. 3-3**

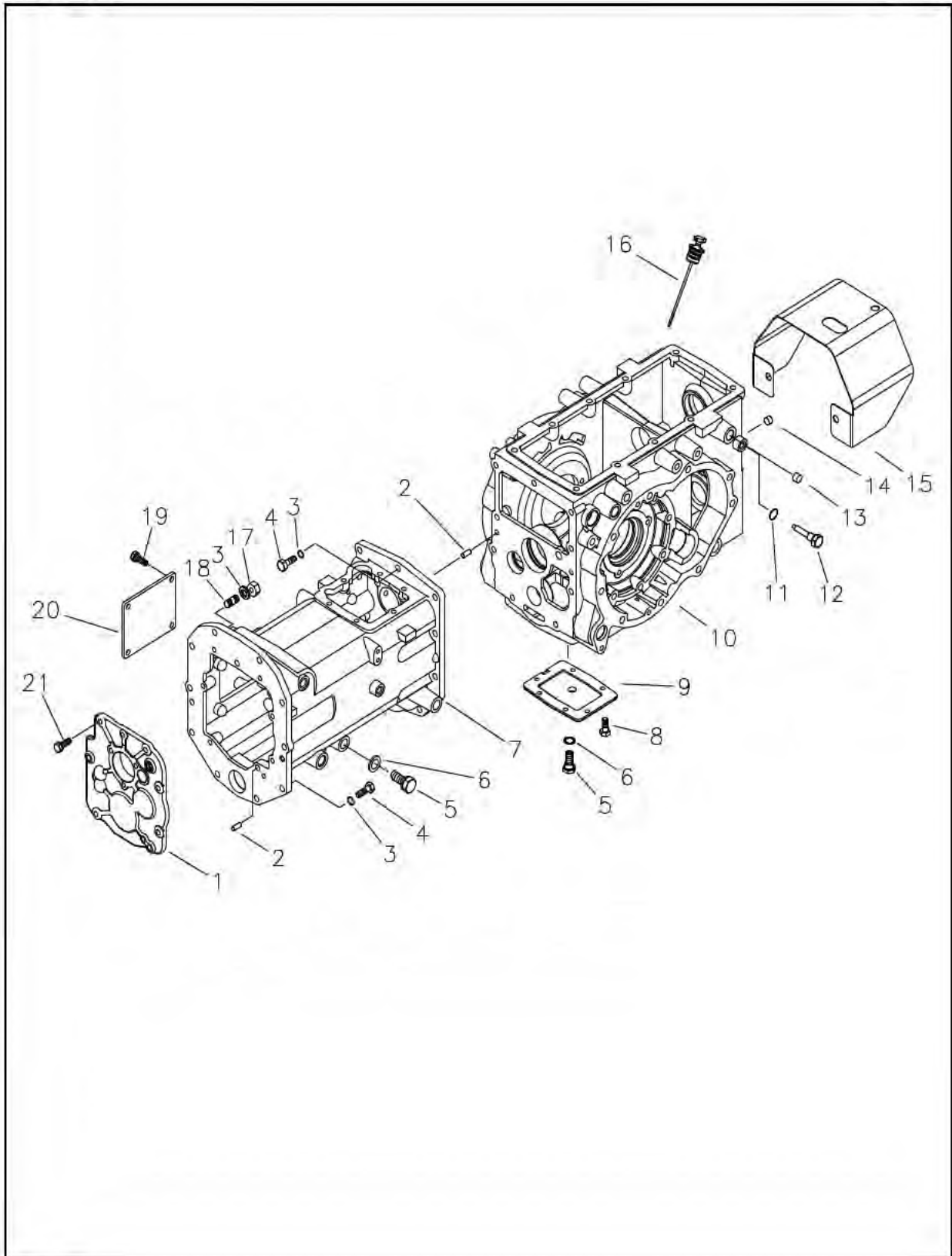
**( MEC )**

NO.	PART NO.	PART NAME & DESCRIPTION	QTY			APP.NO	REM.
			A	B	C		
1	A1670311	SHAFT, BRAKE PEDAL	1	1			
2	A1260115	PEDAL, CLUTCH	1	1			
3	A1260099	STOPPER, CLUTCH PEDAL	1	1			
4	S810025001	RING, SNAP	1	1			
5	S159082033	BOLT, HEX	M8X1.25X20	2	2		
6	A1260112	SPRING		1	1		
7	A1260109	BOLT, ADJUSTER	M8X1.25	1	1		
8	A0610274	NUT, LOCK	M8X1.25	1	1		
9	S443100013	PIN, SNAP		2	2		
10	S363100013	WASHER, PLN		2	2		
11~14	A1260104	CLUTCH LINK ASSY		1	1		
11	A1260078	ADJUSTER, CONTROL		1	1		
12	S314100013	NUT, HEX		1	1		
13	A1260103	LINK(B)		1	1		
14	A1260102	LINK(A)		1	1		
15	A1260111	PIN, CLUTCH		1	1		

# TRANSMISSION CASE

FIG. 3-4A

G. 280



# TRANSMISSION CASE

A-NOT AVAILABLE / B-i28,i36

A-NOT AVAILABLE / B-i28,i36

**FIG. 3-4A**

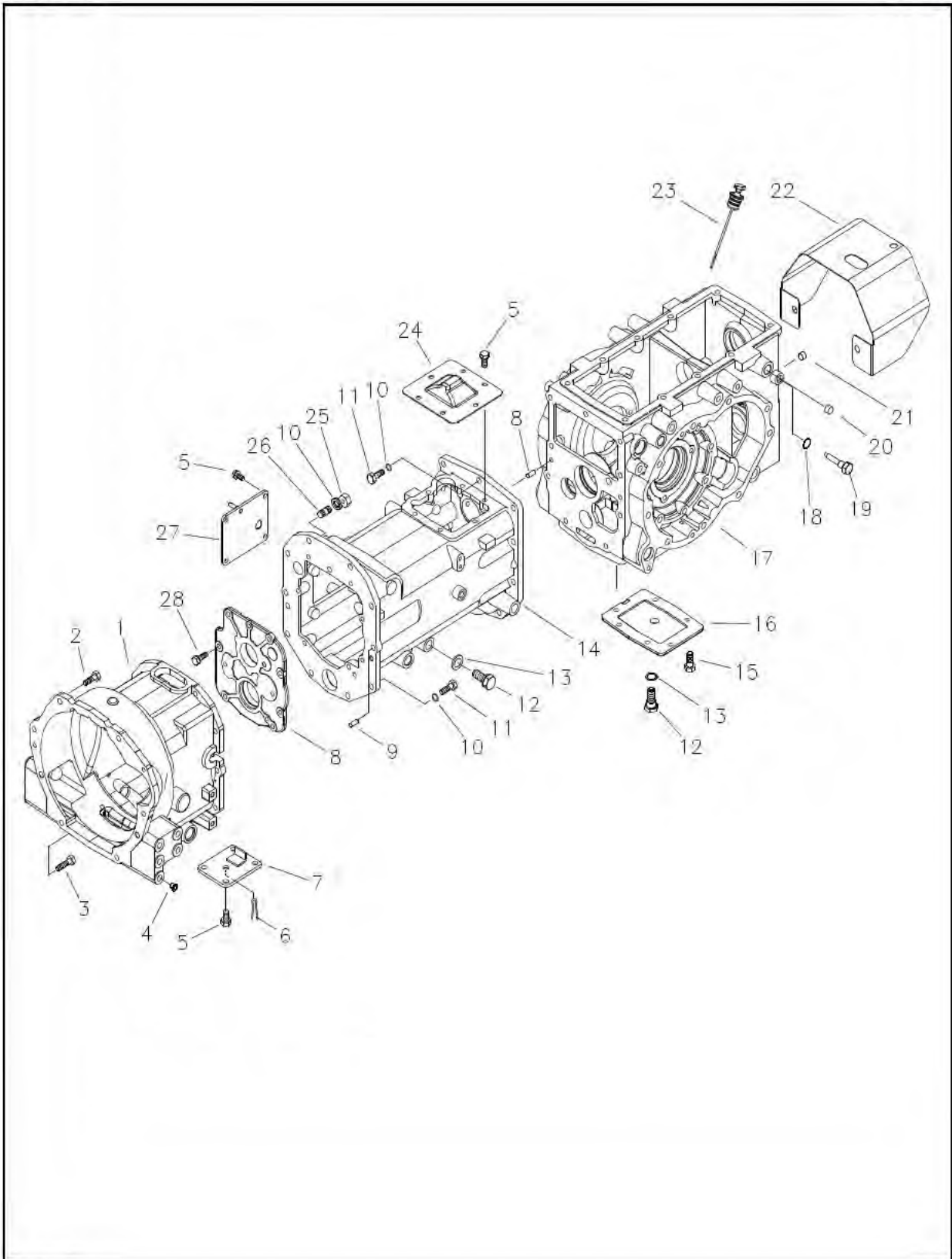
**( MEC )**

NO.	PART NO.	PART NAME & DESCRIPTION	QTY			APP.NO	REM.
			A	B	C		
1	A1280228	COVER, CENTER CASE	1	1			
2	S423102010	PIN, PAR. A-TY	6	6			
3	S361120013	WASHER, PLN	19	19			
4	S105123533	BOLT, HEX	15	15			
5	3A1250013	PLUG, DRAIN	2	2			
6	A10263360	SEAL	2	2			
7	A1280235	CASE, CENTER	1	1			
8	S154102533	BOLT, HEX W/WASHER	6	6			
9	A1280202	COVER, M/PTO	1	1			
10	A1280225	CASE, AXLE	1	1			
11	S801010A10	O-RING	1	1			EX
12	A1291195	BOLT, SELF LOCK	1	1			EX
13	3A1290009	CAP, RAIL	1	1			EX
14	Q0710004	CAP, RAIL	1	1			EX
15	A1280092	COVER, PTO	1	1			DO
	A1280245	SHIELD, PTO	1	1			EC
16	A1280161	GUAGE, OIL LEVEL	1	1			
17	S305120013	NUT, HEX. 2-TY.	4	4			
18	S139123523	BOLT, STUD	4	4			
19	S154102033	BOLT, HEX. W/WASHER	4	4			
20	A1280210	COVER, MAIN FORK	1	1			
21	S154103033	BOLT, HEX. W/WASHER	7	7			

# TRANSMISSION CASE

FIG. 3-4B

G. 280



# TRANSMISSION CASE

A-NOT AVAILABLE / B-i28,i36

A-NOT AVAILABLE / B-i28,i36

**FIG. 3-4B**

**( HST )**

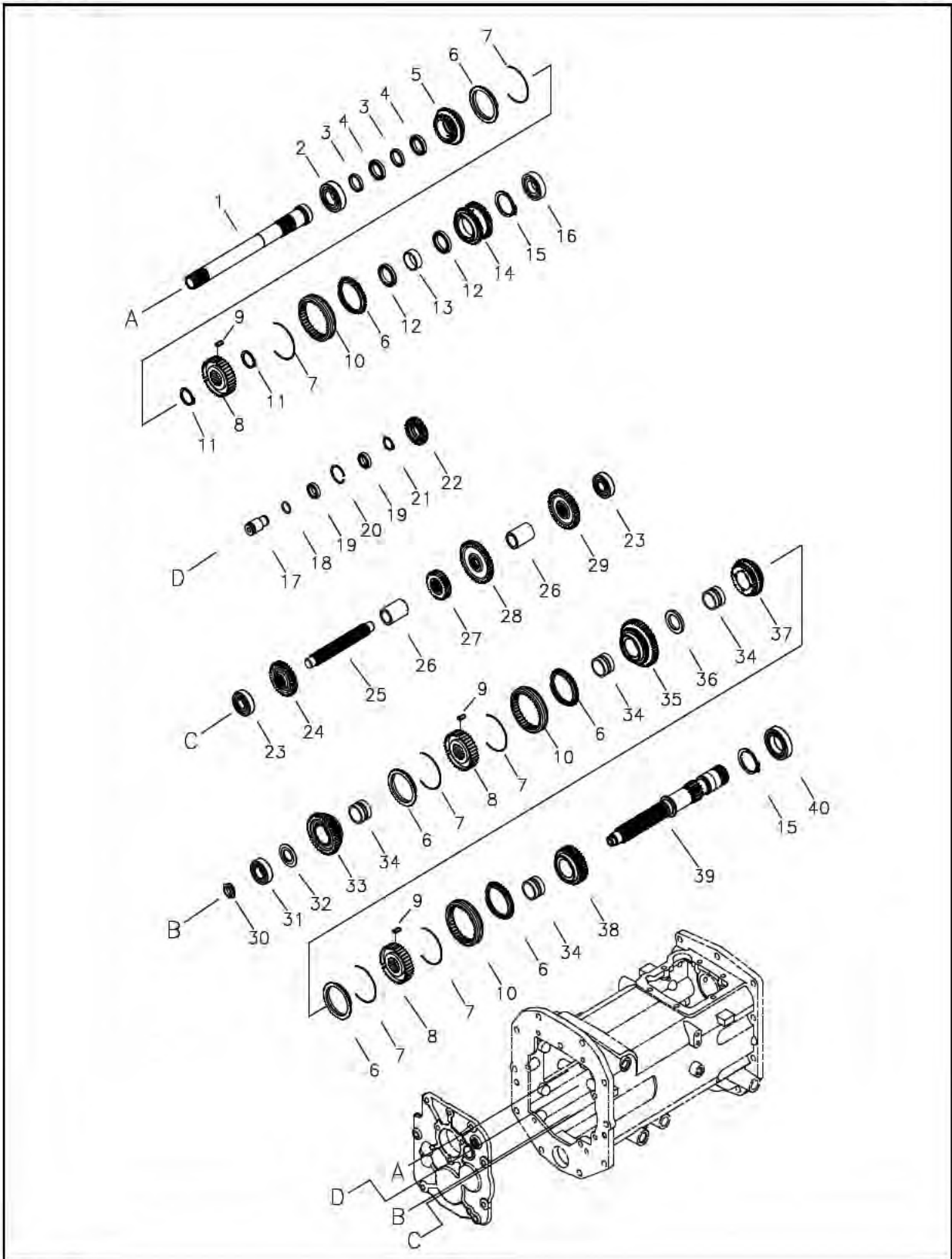
NO.	PART NO.	PART NAME & DESCRIPTION	QTY			APP.NO	REM.
			A	B	C		
1	A1280223	HOUSING, HST		1			
2	S153123533	BOLT, HEX	M12X1.75X35	6			
3	S153126033	BOLT, HEX	M12X1.75X60	2			
4	3A1970068	PLUG	D12	6			
5	S154102033	BOLT, HEX. W/WASHER		14			
6	A1250123	PIN, SPLIT		1			
7	A1280232	COVER, HOUSING		1			
8	A1280227	COVER, C/CASE FRONT		1			
9	S423102010	PIN, PAR. A-TY		4			
10	S361120013	WASHER, PLN		19			
11	S105123543	BOLT, HEX.		15			
12	3A1250013	PLUG, DRAIN		2			
13	A10263360	SEAL		2			
14	A1280224	CASE, CENTER		1			
15	S154102533	BOLT, HEX. W/WASHER		6			
16	A1280202	COVER, M/PTO		1			
17	A1280225	CASE, AXLE		1			
18	S801010A10	O-RING		1			
19	A1291195	BOLT, SELF LOCK		1			
20	3A1290009	CAP, RAIL		1			
21	Q0710004	CAP, RAIL		1			
22	A1280092	COVER, PTO		1			EC
	A1280245	SHIELD, PTO		1			
23	A1280161	GUAGE, OIL LEVEL		1			
24	A1280230	COVER, PTO CLUTCH		1			
25	S305120013	NUT, HEX. 2-TY.		4			
26	S139123523	BOLT, STUD		4			
27	A1280229	COVER, C/CASE RH		1			
28	S154103033	BOLT, HEX. W/WASHER		5			



# MAIN SHAFT

FIG. 3-5

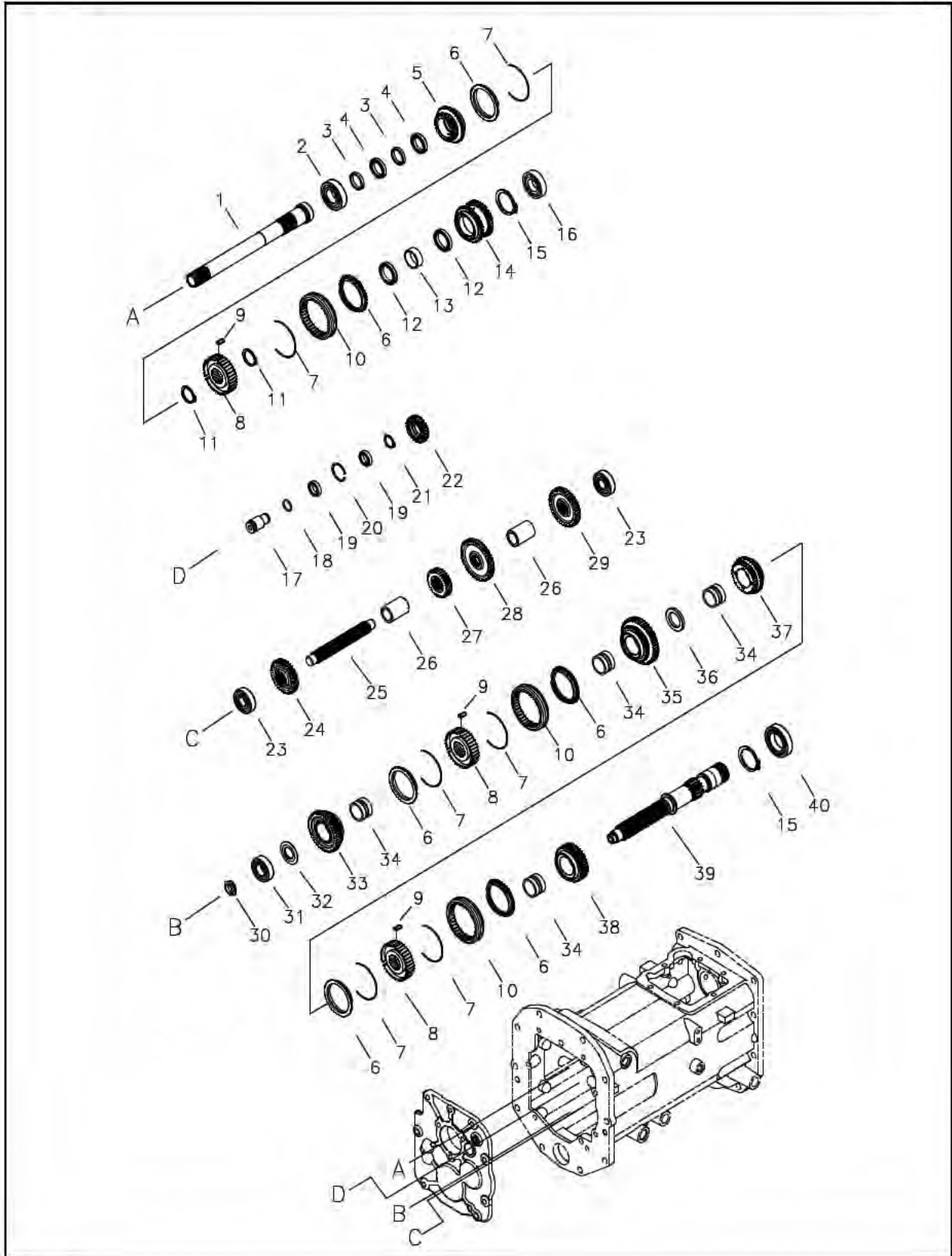
G. 281



# 주 축 MAIN SHAFT

FIG. 3-5

G. 281



# MAIN SHAFT

A-NOT AVAILABLE / B-i28,i36

A-NOT AVAILABLE / B-i28,i36

**FIG. 3-5**

**( MEC )**

NO.	PART NO.	PART NAME & DESCRIPTION	QTY			APP.NO	REM.
			A	B	C		
1	A1281654	SHAFT, F-R DRV	1	1			
2	A0862060	BEARING, BALL	1	1			#6206
3	A1285199	GEAR, REV/DRV	2	2			
4	A0868060	BEARING, BALL	2	2			#6806
5	A1281652	GEAR, REV. DRV (28T)	1	1			
6	A1281354	RING, CYNCHRONIZER	6	6			
7	A1281021	SPING	6	6			
8	A1281384	HUB, SHIFT	3	3			
9	3A1281020	PIECE	9	9			
10	A1281361	SLEEVE	3	3			
11	S810032001	RING, SNAP	2	2			
12	A0868070	BEARING, BALL	2	2			
13	A1281655	SPACER,F-R DRVN(SP-1)	1	1			
14	A1281653	GEAR, FWD DRV (37T)	1	1			
15	S810040001	RING, SNAP	2	2			
16	A0869080	BEARING, BALL	1	1			#6908
17	A1281591	SHAFT, R/IDLE	1	1			
18	S801021010	O-RING	1	1			
19	A0868040	BEARING, BALL	2	2			
20	S811032001	RING, SNAP	1	1			
21	S810020001	RING, SNAP	1	1			
22	A1281666	GEAR, REV IDLE (26T)	1	1			
23	A0863040	BEARING, BALL	2	2			
24	A1281658	GEAR, MAIN 2ND DRV (35T)	1	1			
25	A1281664	SHAFT, MAIN DRV	1	1			
26	A1285297	SPACER	2	2			
27	A1281656	GEAR MAIN 1ST DRV (28T)	1	1			
28	A1281662	GEAR MAIN 4TH DRV (44T)	1	1			
29	A1285290	GEAR,RANGE DRVN (40T)	1	1			
30	A1281602	NET, LOCK	1	1			M20X1.5
31	A0862050	BEARING, BALL	1	1			#6205
32	A1281597	SPACER,F-R DRVN(SP-1)	1	1			
33	A1281659	GEAR, MAIN 2ND DRVN (42T)	1	1			
34	A1281081	SLEEVE, GEAR	4	4			
35	A1281657	GEAR, MAIN 1ST DRVN (49T)	1	1			
36	A1281573	SPACER	1	1			
37	A1281663	GEAR, MAIN 4TH DRVN (33T)	1	1			
38	A1281661	GEAR, MAIN 3RD DRVN (37T)	1	1			
39	A1281701	SHAFT, MAIN DRVN W/GEAR	1	1			
40	A0860080HL	BEARING, BALL	1	1			#6008HL

# 주 축

A-NOT AVAILABLE / B-i28,i36

# MAIN SHAFT

A-NOT AVAILABLE / B-i28,i36

FIG. 3-5

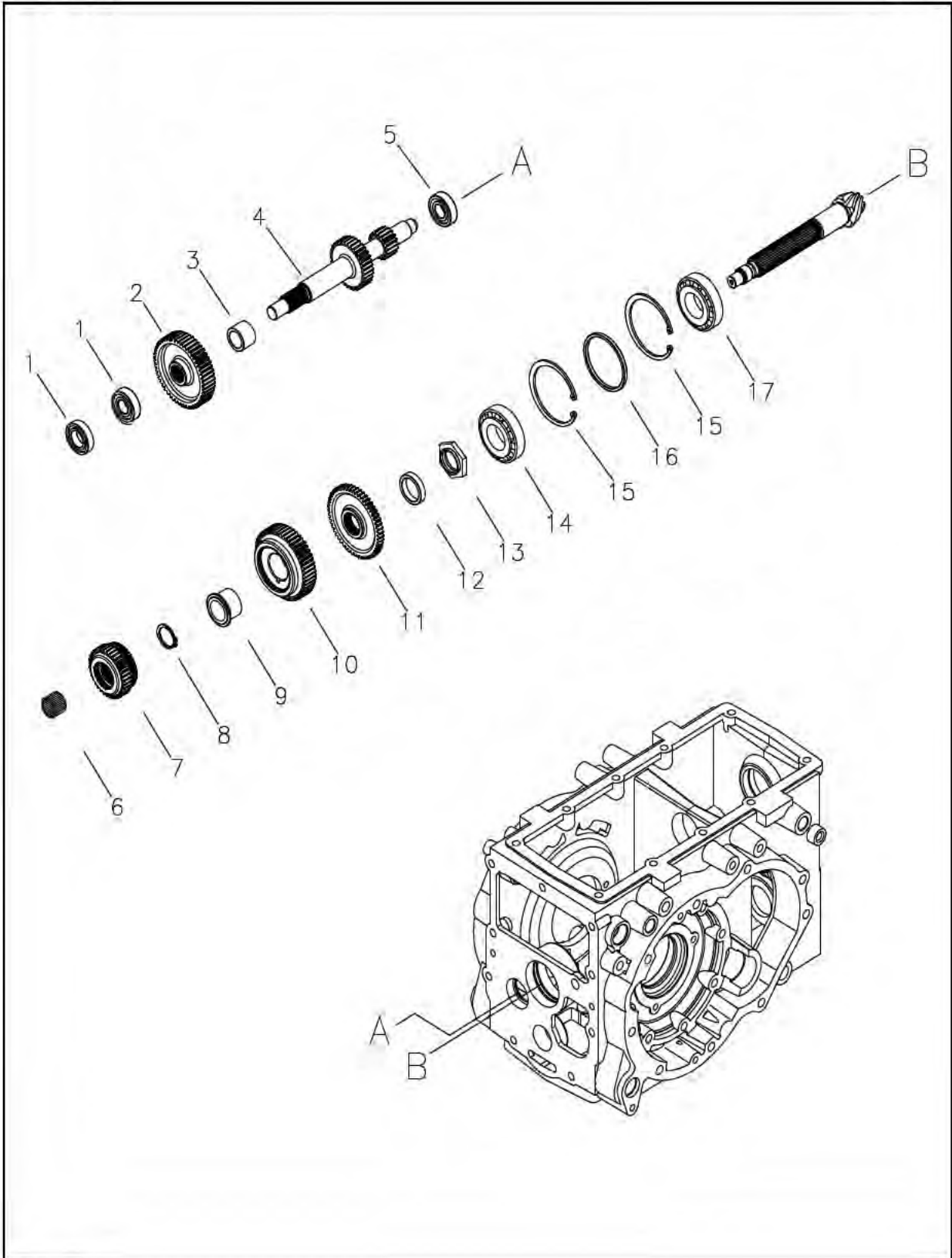
( MEC )

NO.	PART NO.	PART NAME & DESCRIPTION			QTY			APP.NO	REM.
					A	B	C		
1	A1281654	전후진 구동축	SHAFT, F-R DRV		1	1			
2	A0862060	볼베어링	BEARING, BALL	#6206	1	1			
3	A1285199	스페이서	GEAR, REV/DRV		2	2			
4	A0868060	볼베어링	BEARING, BALL	#6806	2	2			
5	A1281652	후진구동기어 (28T)	GEAR, REV. DRV (28T)		1	1			
6	A1281354	싱크로나이저링	RING, CYNCHRONIZER		6	6			
7	A1281021	스프링	SPING		6	6			
8	A1281384	변속 허브	HUB, SHIFT		3	3			
9	3A1281020	피스	PIECE		9	9			
10	A1281361	슬리브	SLEEVE		3	3			
11	S810032001	스냅링	RING, SNAP		2	2			
12	A0868070	볼베어링	BEARING, BALL		2	2			
13	A1281655	스페이서	SPACER,F-R DRVN(SP-1)		1	1			
14	A1281653	전진 구동 기어(37T)	GEAR, FWD DRV (37T)		1	1			
15	S810040001	스냅링	RING, SNAP		2	2			
16	A0869080	볼베어링	BEARING, BALL	#6908	1	1			
17	A1281591	후진 아이들 축	SHAFT, R/IDLE		1	1			
18	S801021010	오-링	O-RING		1	1			
19	A0868040	볼베어링	BEARING, BALL		2	2			
20	S811032001	스냅링	RING, SNAP		1	1			
21	S810020001	스냅링	RING, SNAP		1	1			
22	A1281666	주변속 후진 기어 (26T)	GEAR, REV IDLE (26T)		1	1			
23	A0863040	볼베어링	BEARING, BALL		2	2			
24	A1281658	2단 구동기어(35T)	GEAR, MAIN 2ND DRV (35T)		1	1			
25	A1281664	주변속 구동축	SHAFT, MAIN DRV		1	1			
26	A1285297	스페이서	SPACER		2	2			
27	A1281656	1단 구동기어(28T)	GEAR MAIN 1ST DRV (28T)		1	1			
28	A1281662	4단 구동 기어(44T)	GEAR MAIN 4TH DRV (44T)		1	1			
29	A1285290	부변속 피동 기어 (40T)	GEAR,RANGE DRVN (40T)		1	1			
30	A1281602	너트	NET, LOCK	M20X1.5	1	1			
31	A0862050	볼베어링	BEARING, BALL	#6205	1	1			
32	A1281597	스페이서	SPACER,F-R DRVN(SP-1)		1	1			
33	A1281659	2단 피동기어(42T)	GEAR, MAIN 2ND DRVN (42T)		1	1			
34	A1281081	기어 슬리브	SLEEVE, GEAR		4	4			
35	A1281657	1단 피동기어 (49T)	GEAR, MAIN 1ST DRVN (49T)		1	1			
36	A1281573	스페이서	SPACER		1	1			
37	A1281663	4단 피동기어 (33T)	GEAR, MAIN 4TH DRVN (33T)		1	1			
38	A1281661	3단 피동기어 (37T)	GEAR, MAIN 3RD DRVN (37T)		1	1			
39	A1281665	주변속 피동축	SHAFT, MAIN DRVN W/GEAR		1	1			
40	A0860080	볼베어링	BEARING, BALL	#6008	1	1			

# RANGE GEAR SHAFT

FIG. 3-6A

G. 285

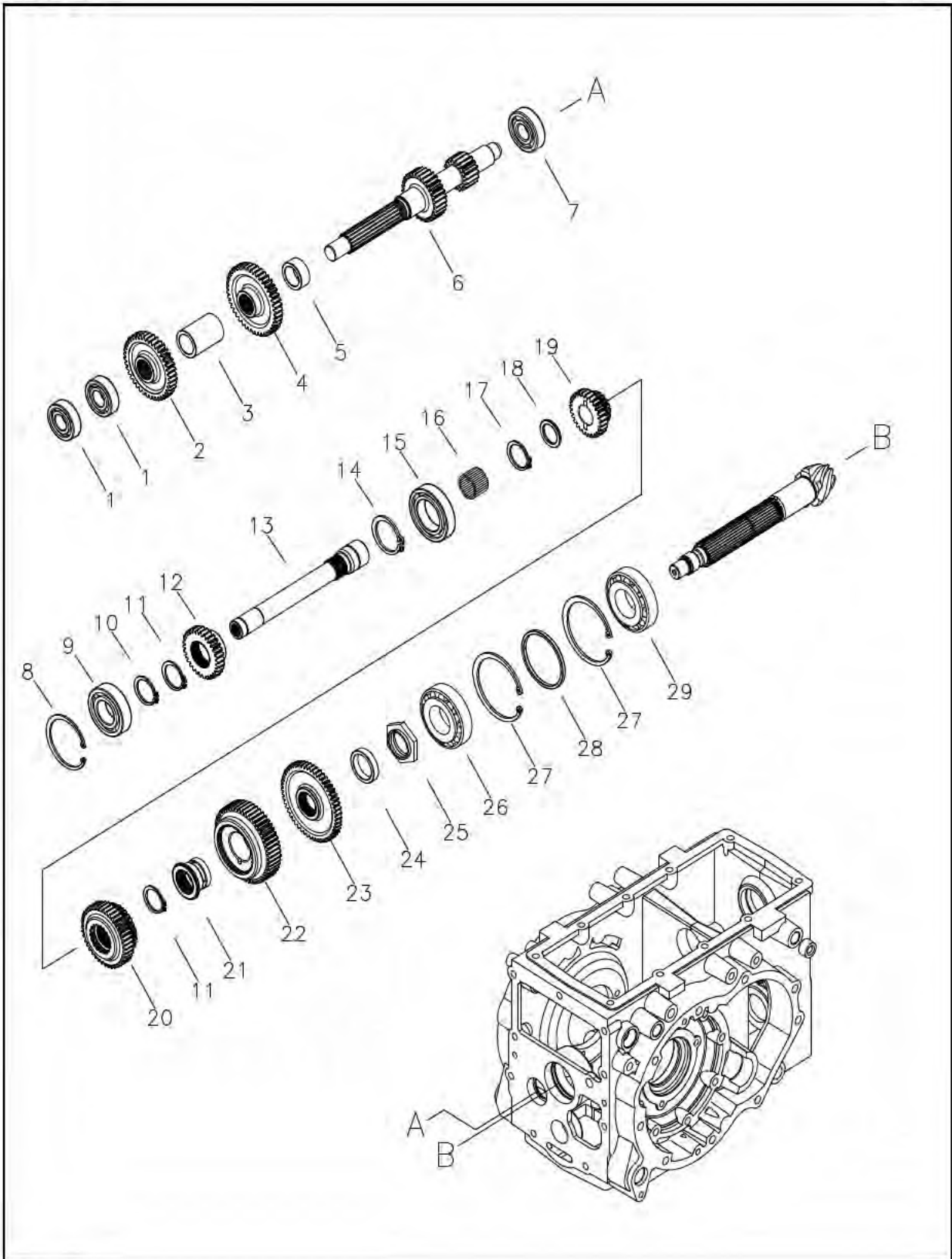




# RANGE GEAR SHAFT

FIG. 3-6B

G. 285



# RANGE GEAR SHAFT

A-NOT AVAILABLE / B-i28,i36

A-NOT AVAILABLE / B-i28,i36

**FIG. 3-6B**

**( HST )**

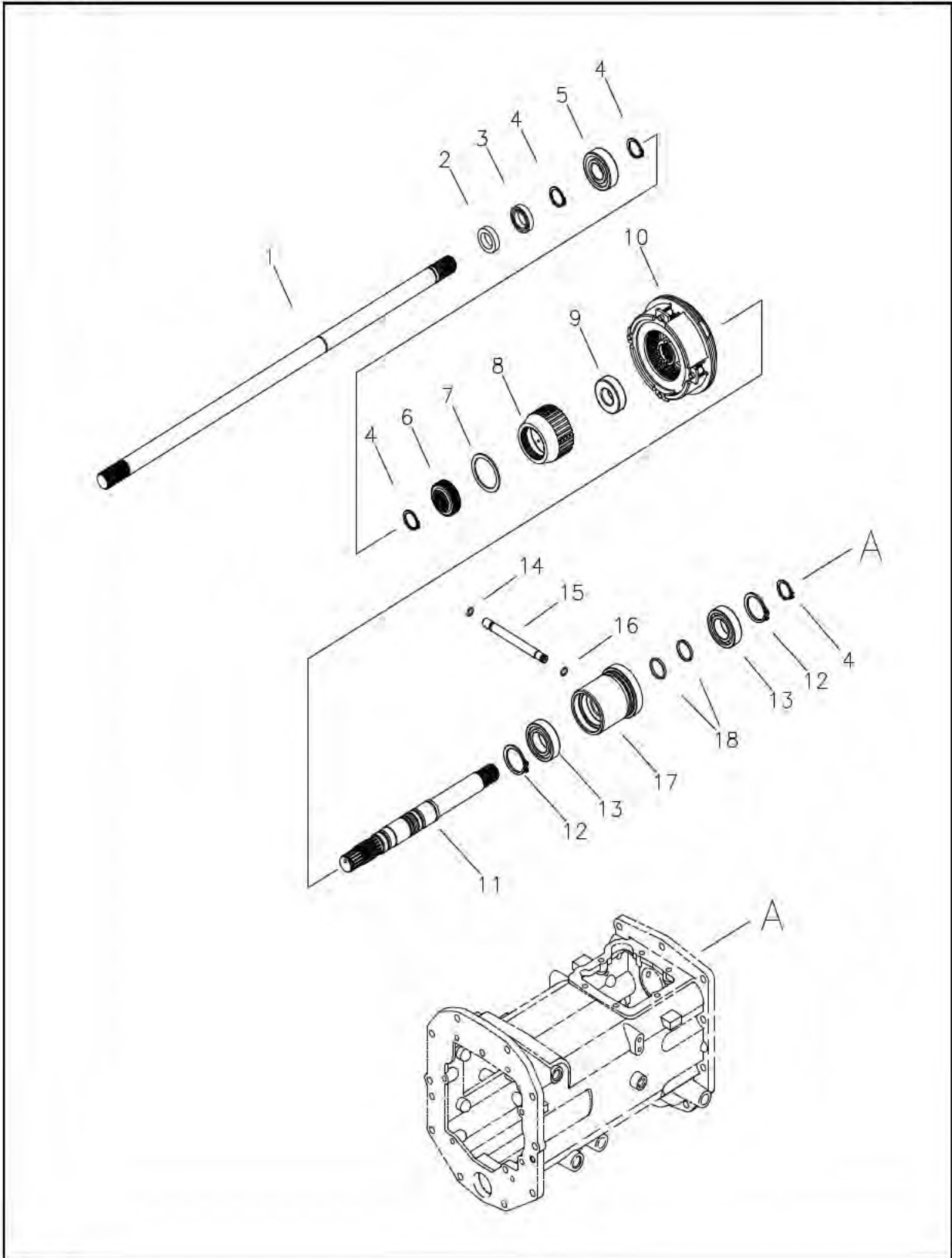
NO.	PART NO.	PART NAME & DESCRIPTION	QTY			APP.NO	REM.
			A	B	C		
1	A0862040	BEARING, BALL					
2	A1285290	GEAR, RANGE DRVN. (40T)					
3	A1285297	SPACER					
4	A1285294	GEAR, RANGE 3RD DRV (43T)					
5	A1285296	SPACER					
6	A1285293	SHAFT, RANGE DRV (29/18T)					
7	A0863040	BEARING, BALL					
8	S811062001	RING, SNAP					
9	A0862060	BEARING, BALL					
10	S810030001	RING, SNAP					
11	S810032001	RING, SNAP					
12	A1285289	GEAR, RANGE DRV. (30T)					
13	A1285288	SHAFT, RANGE DRIVE					
14	S810040001	RING, SNAP					
15	A0860080	BEARING, BALL					
16	3A1970274	BEARING, NEEDLE					
17	S810025001	RING, SNAP					
18	A1281598	SPACER					
19	A1285295	GEAR, RANGE 3RD DRVN (27T)					
20	A1285291	GEAR, RANGE 2ND DRVN (41T)					
21	A1281046	SLEEVE, GEAR					
22	A1285292	GEAR, RANGE 2ND DRVN (36T)					
23	A1288154	GEAR, 4WD DRV (54T)					
24	A1285309	SPACER					
25	A1287079	NUT, LOCK					
26	A1326067	BEARING, TAPER					
27	S811072001	RING, SNAP					
28	A1326068	SPACER					
29	A1326032	BEARING, TAPER					



# PTO SHAFT

FIG. 3-7A

G. 283,287







# PTO SHAFT

A-NOT AVAILABLE / B-i28,i36

A-NOT AVAILABLE / B-i28,i36

**FIG. 3-7B**

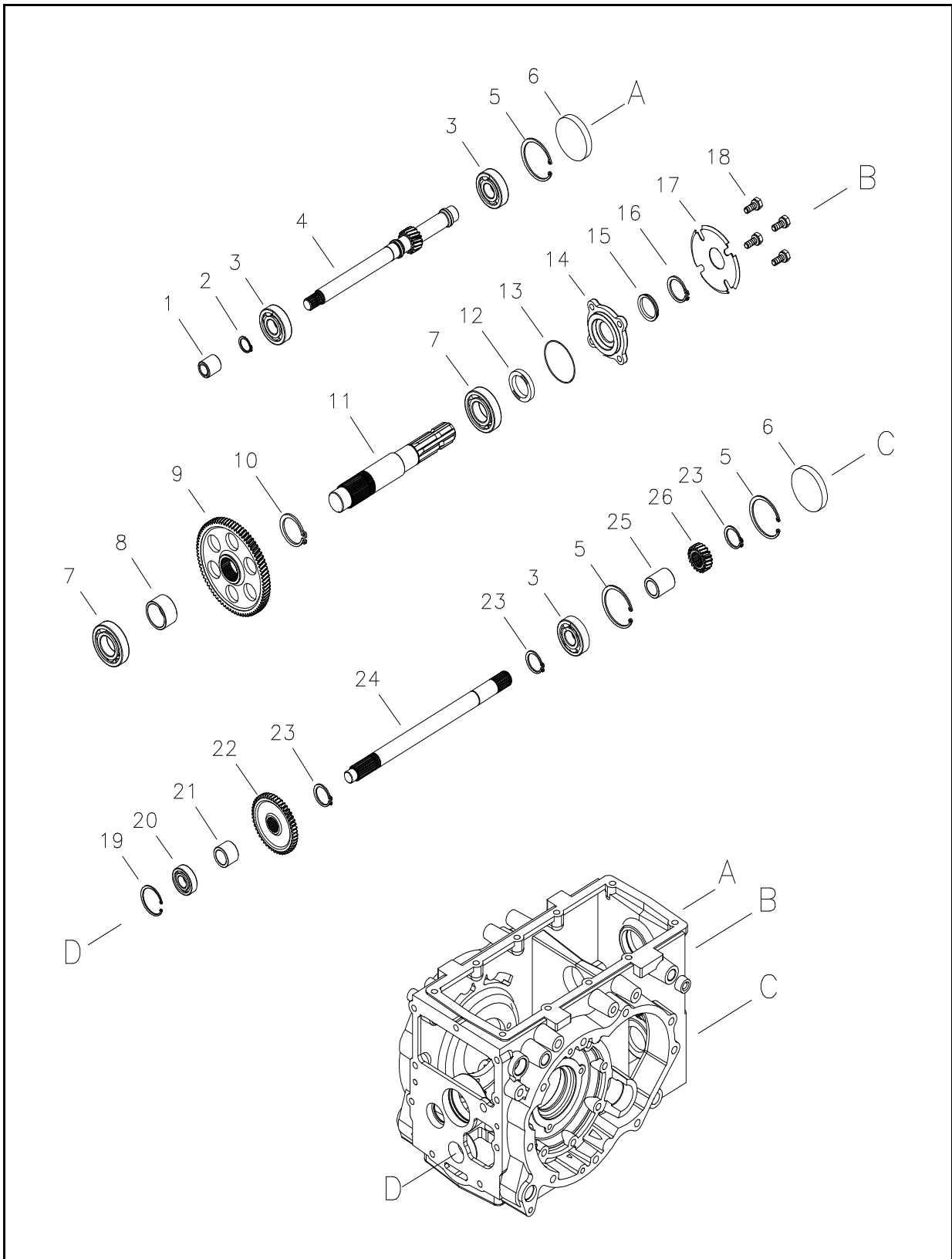
**( HST )**

NO.	PART NO.	PART NAME & DESCRIPTION	QTY			APP.NO	REM.
			A	B	C		
1	A1283242	JOINT	1	1			
2	S810020001	RING, SNAP	5	5			
3	S811052001	RING, SNAP	1	1			
4	A0863040	BEARING, BALL	#6304	1	1		
5	A1283240	SHAFT, MAIN PTO		1	1		
6	A0862040	BEARING, BALL	#6204	1	1		
7	A1287368	JOINT, HYD. CLUTCH HUB		1	1		
8	S810040001	RING, SNAP		1	1		
9	A1827369	HUB, PTO HYD. CLUTCH		1	1		
10	A0860040	BEARING, BALL	#6004	1	1		
11	A1287283	CLUTCH ASSY		1	1		
12	A1287393	SHAFT, PTO DRIVE		1	1		
13	S810025001	RING, SNAP		2	2		
14	A0860050	BEARING, BALL	#6005	2	2		
15	S804008010	O-RING		1	1		
16	A1287372	PIPE, H/CLUTCH INPUT		1	1		
17	S804007010	O-RING		1	1		
18	A1827394	SLEEVE, HYD CLUTCH CIRCUIT		1	1		
19	A1281229	RING, PISTON		2	2		

# PTO DRIVE SHAFT

FIG. 3-8B

G. 287



# PTO DRIVE SHAFT

A-NOT AVAILABLE / B-i28,i36

A-NOT AVAILABLE / B-i28,i36

**FIG. 3-8B**

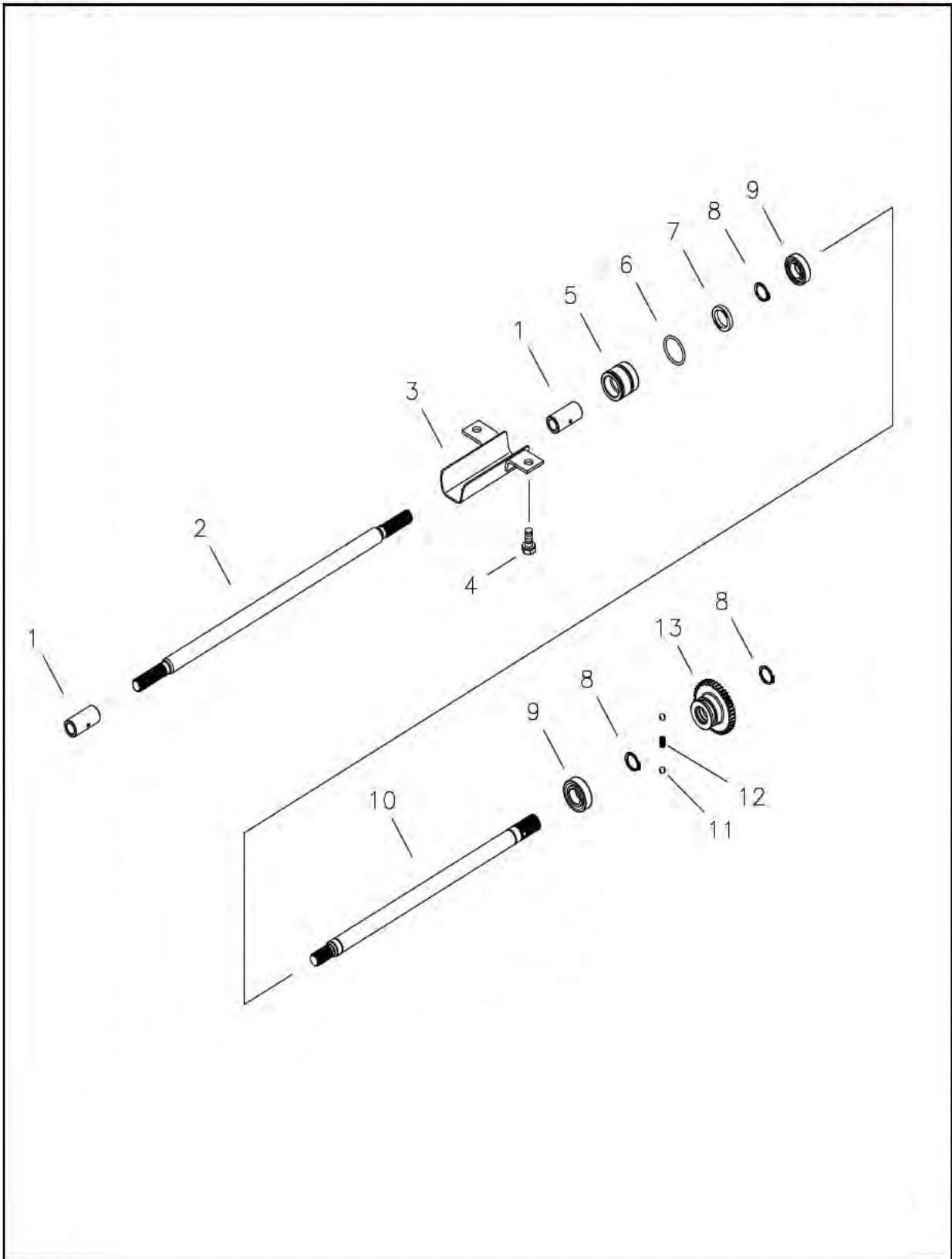
**( PTO/1, M/PTO )**

NO.	PART NO.	PART NAME & DESCRIPTION	QTY			APP.NO	REM.
			A	B	C		
1	A1283228	JOINT	1	1			
2	S810020001	RING, SNAP	1	1			
3	A0863050HL	BEARING, BALL	3	3			
4	A1287364	SHAFT, PTO DRV W/GEAR(17R)	1	1			
5	S811062001	RING, SNAP	3	3			
6	A1283016	CAP, RUBBER	2	2			
7	A0862070	BEARING, BALL	2	2			
8	A1287310	SPACER	1	1			
9	A1287304	GEAR, PTO DRVN (79L)	1	1			
10	S810040001	RING, SNAP	1	1			
11	A1287373	SHAFT, PTO	1	1			
12	A0651353	OIL SEAL	1	1			
13	S804070010	O-RING	1	1			
14	A1280231	COVER, PTO SHAFT	1	1			
15	A0653232	SEAL, DUST	1	1			
16	S810035001	RING, SNAP	1	1			
17	A1280184	GUIDE, PTO COVER	1	1			
18	S154102533	BOLT, HEX. W/WASHER	4	4			
19	S811047001	RING, SNAP	1	1			
20	A0862040	BEARING, BALL	1	1			
21	A1288065	SPACER	1	1			
22	A1287366	GEAR, M/PTO DRV. (49T)	1	1			
23	S811025001	RING, SNAP	3	3			
24	A1287365	SHAFT, M/PTO DRV	1	1			
25	A1287311	SPACER	1	1			
26	A1287305	GEAR, MID PTO COUNTER	1	1			

# FRONT WHEEL DRIVE SHAFT

FIG. 3-9B

G. 288,380



# FRONT WHEEL DRIVE SHAFT

A-NOT AVAILABLE / B-i28,i36

A-NOT AVAILABLE / B-i28,i36

**FIG. 3-9B EX**

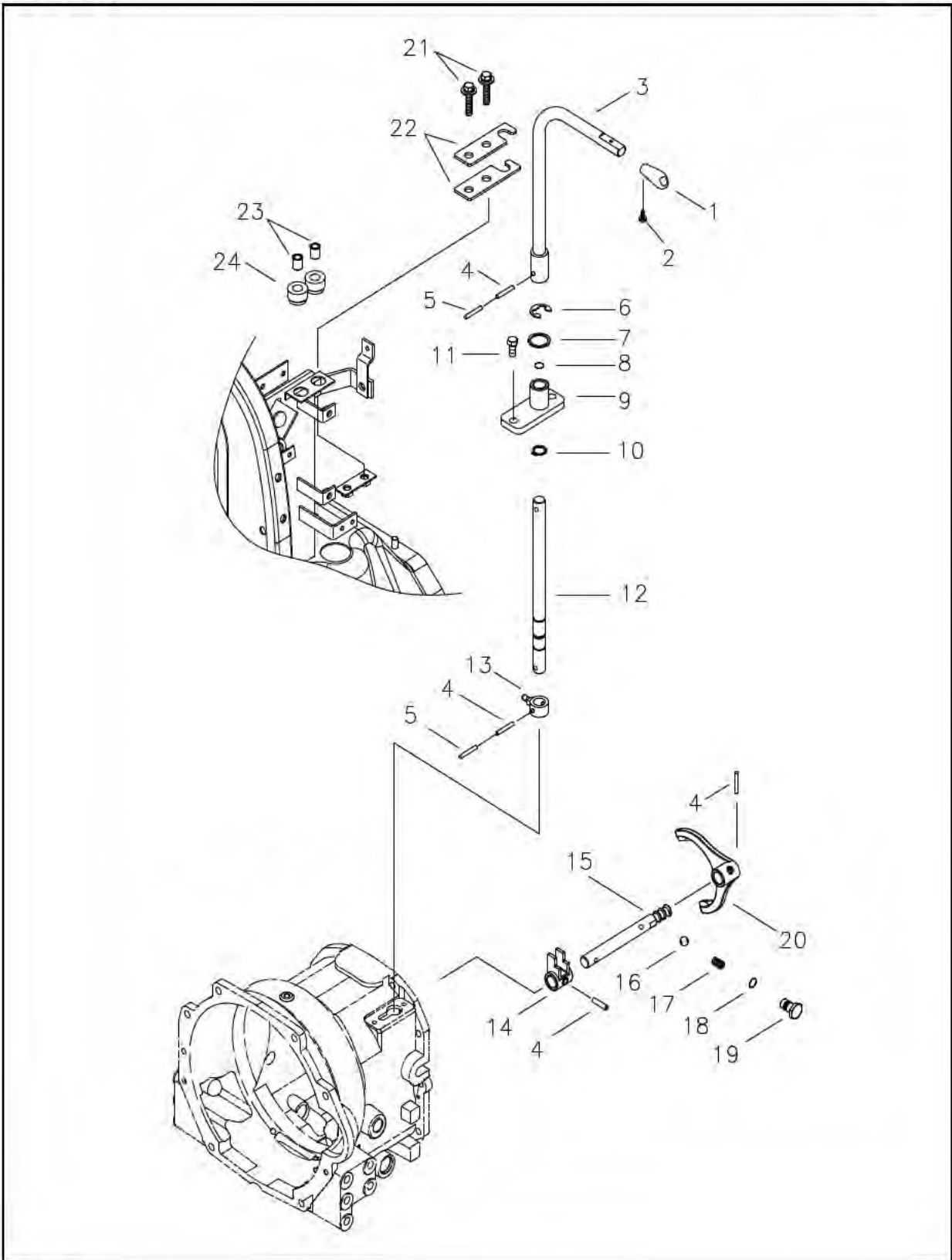
NO.	PART NO.	PART NAME & DESCRIPTION	QTY			APP.NO	REM.
			A	B	C		
1	A1380021	4WD JOINT	2	2			
2	A1380033	SHAFT, 4WD FRONT	1	1			
3	A1380036	COVER, 4WD SHAFT	1	1			
4	S153123033	BOLT, HEX W/WASHER	2	2			
5	A1288161	HOUSING, SEAL	1	1			
6	S801041010	O-RING	1	1			
7	A0651253	SEAL, OIL	1	1			
8	S810025001	RING, SNAP	3	3			
9	A0862050	BEARING, BALL	2	2			#6205
10	A1288156	SHAFT, 4WD DRIVE	1	1			
11	A20063390	BALL, SHIFTER FORK	2	2			
12	A1287356	SPRING	1	1			
13	A1288155	GEAR, 4WD DRVN (41T)	1	1			



# SHIFT LEVER & FORK

FIG. 3-10A

G. 290



# SHIFT LEVER & FORK

A-NOT AVAILABLE / B-i28,i36

A-NOT AVAILABLE / B-i28,i36

**FIG. 3-10A**

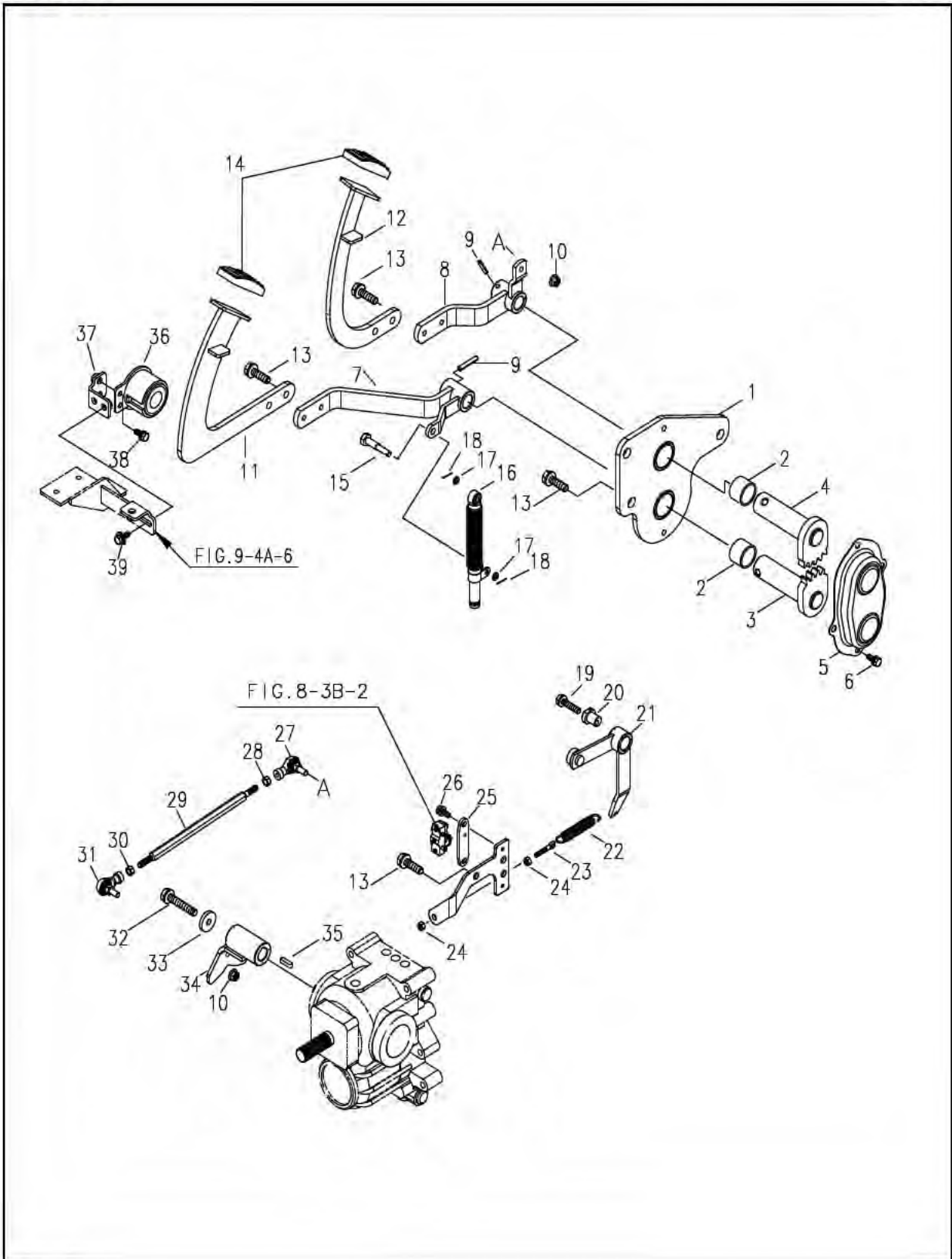
**( MEC )**

NO.	PART NO.	PART NAME & DESCRIPTION	QTY			APP.NO	REM.
			A	B	C		
1	A1970394	KNOB, F-R	1	1			
2	S226501011	SCREW, W/SPR. W/WASHER	1	1			
3	A1292246	HAND LEVER, CHANGE	1	1			
4	S446062510	PIN, SPR.	3	3			
5	A0621025	PIN, SPR.	1	1			
6	S814015001	RING, SNAP	1	1			
7	S364160013	WASHER, PLN	1	1			
8	S801012010	O-RING	1	1			
9	A1292208	PLATE, F-R	1	1			
10	S810016001	RING, SNAP	1	1			
11	S153082533	BOLT, HEX	2	2			
12	A1290168	LEVER, F-R	1	1			
13	A1290100	ARM, MAIN	1	1			
14	A1290133	ADAPTER, MAIN SHIFT	1	1			
15	A1290173	RAIL, F-R	1	1			
16	A20063390	BALL, SHIFTER FORK	1	1			
17	3A1290011	SPRING	1	1			
18	S801010A10	O-RING	2	2			
19	A1291145	BOLT, RAIL	2	2			
20	A1290085	FORK, MAIN (3-4)	1	1			
21	S159084013	BOLT, HEX. W/WASHER	2	2			
22	A1292224	GUIDE, F-R LEVER	2	2			
23	A1830575	SPACER	2	2			
24	A1830574	MOUNT, RUBBER	2	2			

# HST CONTROL

FIG. 3-10B

G. 292



# HST CONTROL

A-NOT AVAILABLE / B-i28,i36

A-NOT AVAILABLE / B-i28,i36

**FIG. 3-10B**

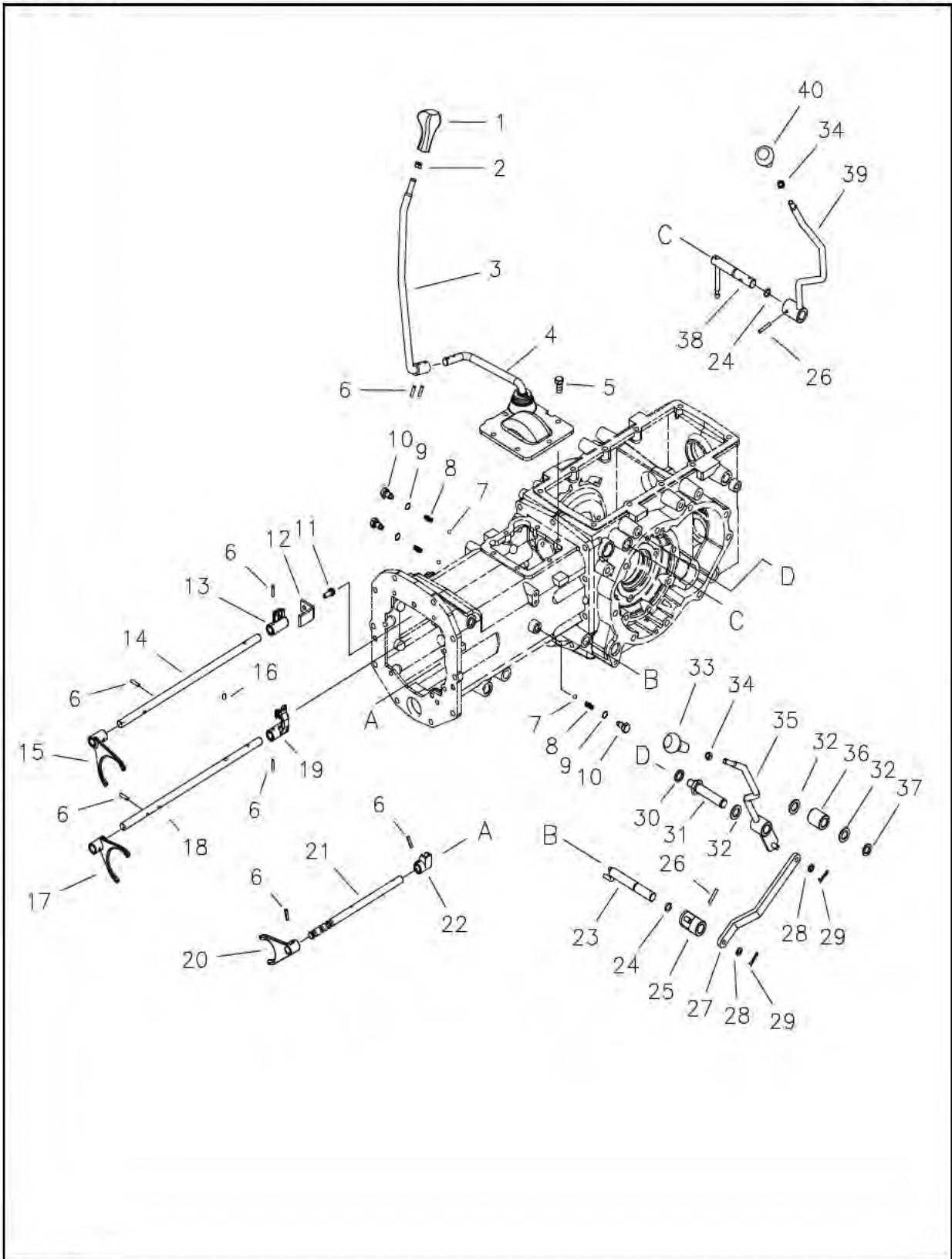
**( HST )**

NO.	PART NO.	PART NAME & DESCRIPTION	QTY			APP.NO	REM.
			A	B	C		
1-9	A1292277	HST CONTROLLER ASSY	1	1			
1	A1292253	PLATE, BASE	1	1			
2	A0677625	BUSHING	2	2			
3	A1292202	SHAFT A	1	1			
4	A1292203	SHAFT B	1	1			
5	A1292204	COVER, DUST	1	1			
6	S153061233	BOLT, HEX	2	2			
7	A1292278	ARM A, PEDAL	1	1			
8	A1292279	ARM B, PEDAL	1	1			
9	S446063612	PIN, SPRING	2	2			
10	A1877079	NUT, LOCK	2	2			
11	A1292234	PEDAL, FORWARD	1	1			
12	A1292235	PEDAL, REWARD	1	1			
13	S154102533	BOLT, HEX	8	8			
14	A1291214	PAD, PEDAL	2	2			
15	A0621027	PIN	1	1			
16	A1291238	DAMPER	1	1			
17	S363080013	WASHER	2	2			
18	S441202013	PIN, SPLIT	2	2			
19	S154105533	BOLT, HEX	1	1			
20	A1292192	SHAFT, CONTROL ARM	1	1			
21	A1292206	NEUTRAL ARM SUB ASSY	1	1			
22	A0691101	SPRING	1	1			
23	A1260113	BOLT, ADJUSTER	1	1			
24	S313080013	NUT, HEX	2	2			
25	A1292193	PLATE	1	1			
26	S153061633	BOLT, HEX	2	2			
27-31	A1292274	ROD ASSY	1	1			
27	A0731033R	END, ROD	1	1			
28	S313080013	NUT, HEX	1	1			
29	A1292275	ROD, HST CONTROL	1	1			
30	A0610059	NUT, HEX	1	1			
31	A0731033L	END, ROD	1	1			
32	S154107033	BOLT, HEX	1	1			
33	A0661122	WASHER	1	1			
34	A1292280	CAM, HST	1	1			
35	S405051610	KEY	1	1			
36	A1750280	MAGNET	1	1			
37	A1292259	BRACKET, MAGNET	1	1			
38	S153083033	BOLT, HEX	2	2			
39	S159082533	BOLT, HEX	2	2			

# SHIFT LEVER & FORK

FIG. 3-11A

G. 290,293



# SHIFT LEVER & FORK

A-NOT AVAILABLE / B-i28,i36

A-NOT AVAILABLE / B-i28,i36

**FIG. 3-11A**

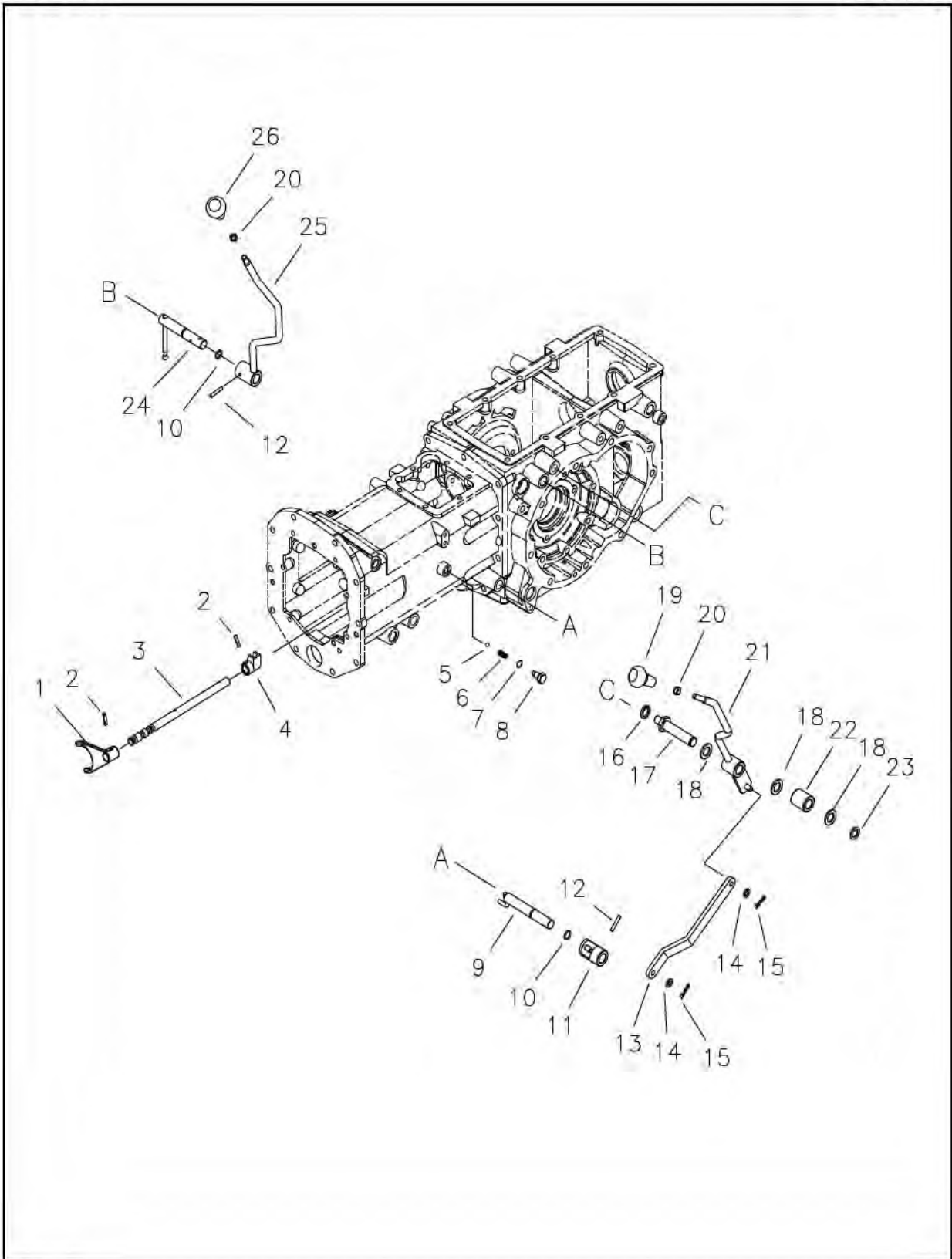
**( MEC )**

NO.	PART NO.	PART NAME & DESCRIPTION	QTY			APP.NO	REM.
			A	B	C		
1	A1970334	GRIP, MAIN CHANGE	1	1			
2	S301120043	NUT, HEX. 1-TY	1	1			
3	A1292247	HAND LEVER, MAIN	1	1			
4	A1292263	LEVER ASSY, MAIN	1	1			
5	S154103033	BOLT,HEX,W/WASHER	5	5			
6	S446062510	PIN, SPRING	8	8			
7	A20063390	BALL	3	3			
8	3A1290011	SPRING	3	3			
9	S801010A10	O-RING	3	3			
10	A1291145	BOLT, RAIL	3	3			
11	S153082033	BOLT, HEX. W/WASHER	1	1			
12	A1290182	HOLDER, ADAPTER	1	1			
13	A1290174	ADAPTER, MAIN SHIFT	1	1			
14	A1290170	RAIL, MAIN CHANGE (1-2)	1	1			
15	A1290171	FORK, MAIN SHIFT (1-2)	1	1			
16	A1290091	PIN	1	1			
17	A1290172	FORK, MAIN SHIFT	1	1			
18	A1290169	RAIL, MAIN CHANGE	1	1			
19	A1290175	ADAPTER, MAIN	1	1			
20	A1291229	FORK, RANGE H	1	1			
21	A1291315	RAIL, RANGE	1	1			
22	A1291149	ADAPTER, SUB CHANGE	1	1			
23	A1291297	LEVER, 4WD	1	1			
24	S801016010	O-RING	2	2			
25	A1293178	ARM, PTO	1	1			
26	S446063512	RING, SNAP	2	2			
27	A1293193	LINK	1	1			
28	S363100013	WASHER, PLN S-RD	2	2			
29	S443100013	PIN, SNAP	2	2			
30	S361160013	WASHER, SPR. 1-TY	1	1			
31	A1293183	SHAFT, HAND LEVER	1	1			
32	S363200013	WASHER, PLN S-RD	3	3			
33	A1970375	KNOB, 4WD	1	1			
34	S314100013	NUT, HEX. 1-TY	1	1			
35	A1293192	HAND LEVER, 4WD	1	1			
36	A1293188	SPACER	1	1			EX
37	S810020001	RING, SNAP	1	1			
38	A1291164	LEVER, SUB CHANGE	1	1			
39	A1293191	HAND LEVER, RANGE	1	1			
40	A1970405	KNOB, RANGE	1	1			

# SHIFT LEVER & FORK

FIG. 3-11B

G. 290,293



# SHIFT LEVER & FORK

A-NOT AVAILABLE / B-i28,i36

A-NOT AVAILABLE / B-i28,i36

**FIG. 3-11B**

**( HST )**

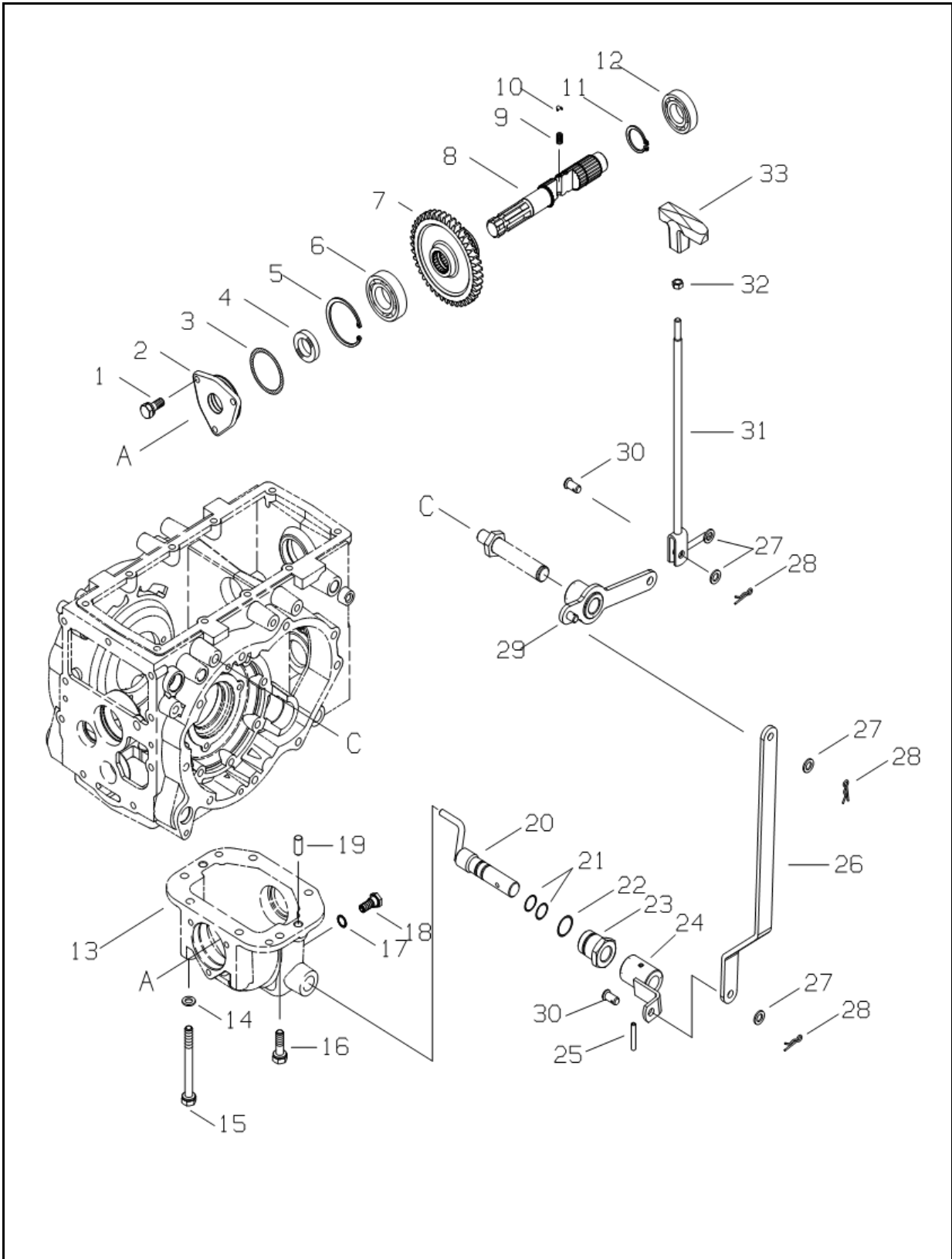
NO.	PART NO.	PART NAME & DESCRIPTION	QTY			APP.NO	REM.
			A	B	C		
1	A1291229	FORK, RANGE H	1	1			
2	S446062510	PIN, SPRING	8	8			
3	A1291298	RAIL, RANGE	1	1			
4	A1291149	ADAPTER, SUB CHANGE	1	1			
5	A20063390	BALL	1	1			
6	3A1290011	SPRING	1	1			
7	S801010A10	O-RING	1	1			
8	A1291145	BOLT, RAIL	1	1			
9	A1291297	LEVER, 4WD	1	1			
10	S801016010	O-RING	2	2			
11	A1293178	ARM, PTO	1	1			
12	S446063512	RING, SNAP	2	2			
13	A1293193	LINK	1	1			
14	S363100013	WASHER, PLN S-RD	2	2			
15	S443100013	PIN, SNAP	2	2			
16	S361160013	WASHER, SPR. 1-TY	1	1			
17	A1293183	SHAFT, HAND LEVER	1	1			
18	S363200013	WASHER, PLN S-RD	3	3			
19	A1970375	KNOB, 4WD	1	1			
20	S314100013	NUT, HEX. 1-TY	2	2			
21	A1293192	HAND LEVER, 4WD	1	1			
22	A1293188	SPACER	1	1			
23	S810020001	RING, SNAP	1	1			
24	A1291164	LEVER, SUB CHANGE	1	1			
25	A1293191	HAND LEVER, RANGE	1	1			
26	A1970403	KNOB, RANGE	1	1			



# MID PTO SHAFT & LEVER

FIG. 3-12

G. 287,293



# MID PTO SHAFT & LEVER

A-NOT AVAILABLE / B-i28,i36

A-NOT AVAILABLE / B-i28,i36

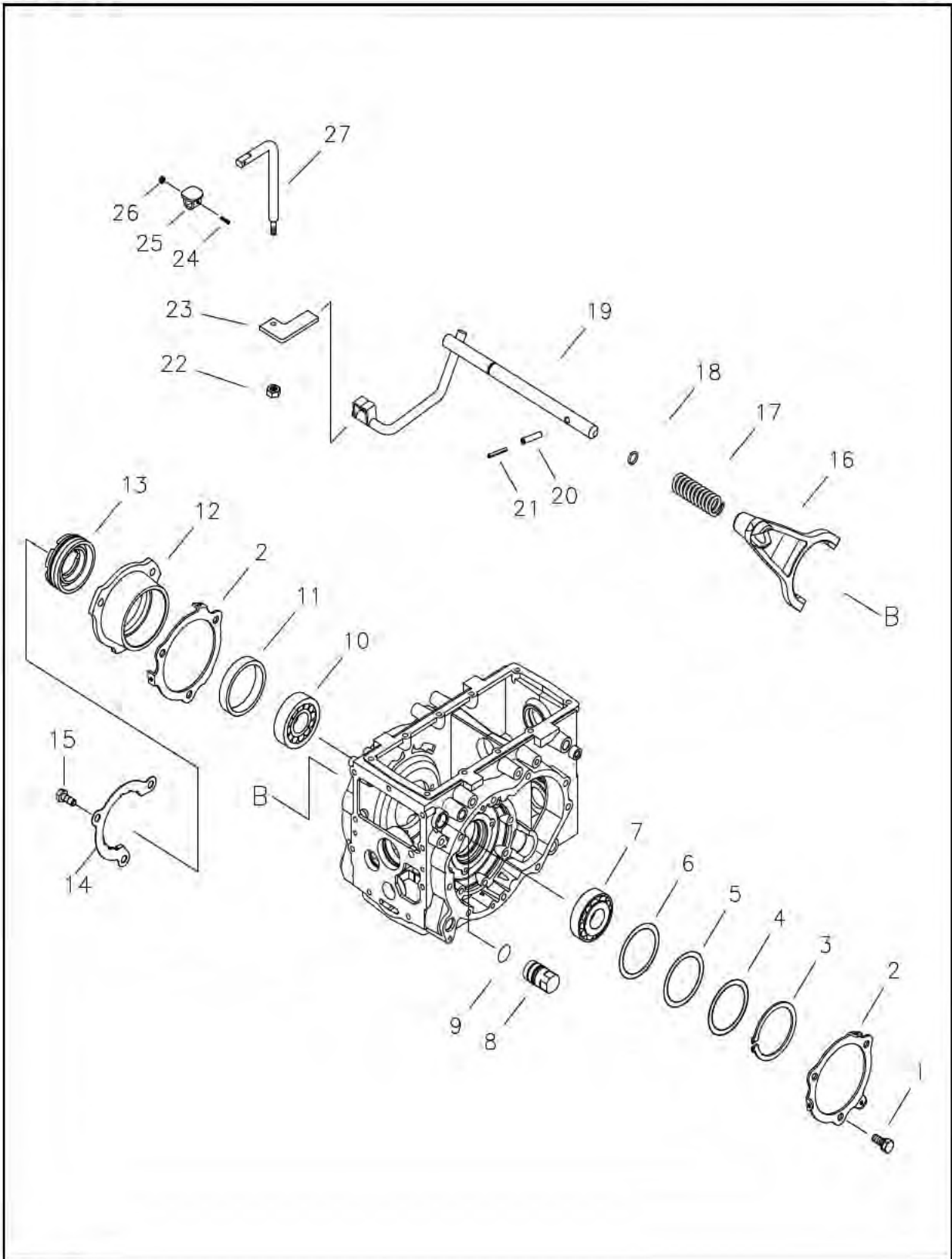
**FIG. 3-12** **( M/PTO )**

NO.	PART NO.	PART NAME & DESCRIPTION		QTY			APP.NO	REM.
				A	B	C		
1	S153082033	BOLT, HEX, W/WASHER	M8x1.25x20		3			
2	A1280199	COVER, M/PTO SHAFT			1			
3	S801052010	O-RING			1			
4	A0651253	SEAL, OIL			1			
5	S811062001	RING, SNAP	D62x2.0t		1			
6	A0863050	BEARING, BALL	#6305(OD62xID25x17)		1			
7	A1287367	GEAR, M/PTO DRVN (53T)			1			
8	A1287345	SHAFT, M/PTO DRIVEN			1			
9	3A1290011	SPRING			1			
10	A20063390	BALL, SHIFT FORK			1			
11	S810030001	RING, SNAP			1			
12	A0862050	BEARING, BALL	#6205		1			
13	A1280200	CASE, M/PTO			1			
14	S361100013	WASHER, SPR. 1-TY.			2			
15	S104101043	BOLT, HEX.			2			
16	S154103033	BOLT, HEX. W/WASHER			4			
17	A10263360	SEAL			1			
18	3A1250013	PLUG, MAGNET			1			
19	S423102010	PIN, PAR. A-TY. (h7)			2			
20	A1291291	LEVER, MID PTO			1			
21	S801012010	O-RING			2			
22	S804028010	O-RING			1			
23	A1291296	ADAPTER, LEVER			1			
24	A1291292	ARM, MID PTO			1			
25	S446063512	PIN, SPR. W-TY			1			
26	A1293195	ROD, MID PTO			1			
27	S363100013	WASHER, PLN S-RD			4			
28	S443100013	PIN, SNAP A-TY			3			
29	A1293194	ARM, MID PTO			1			
30	S427102013	PIN, HEAD B-TY.			1			
31	A1293175	HAND LEVER, 4WD			1			
32	S313080013	NUT, HEX.			1			
33	A1970397	KNOB, CREEPER			1			

# DIFF - LOCK

FIG. 4-1A

G. 320



# DIFF - LOCK

A-NOT AVAILABLE / B-i28,i36

A-NOT AVAILABLE / B-i28,i36

**FIG. 4-1A**

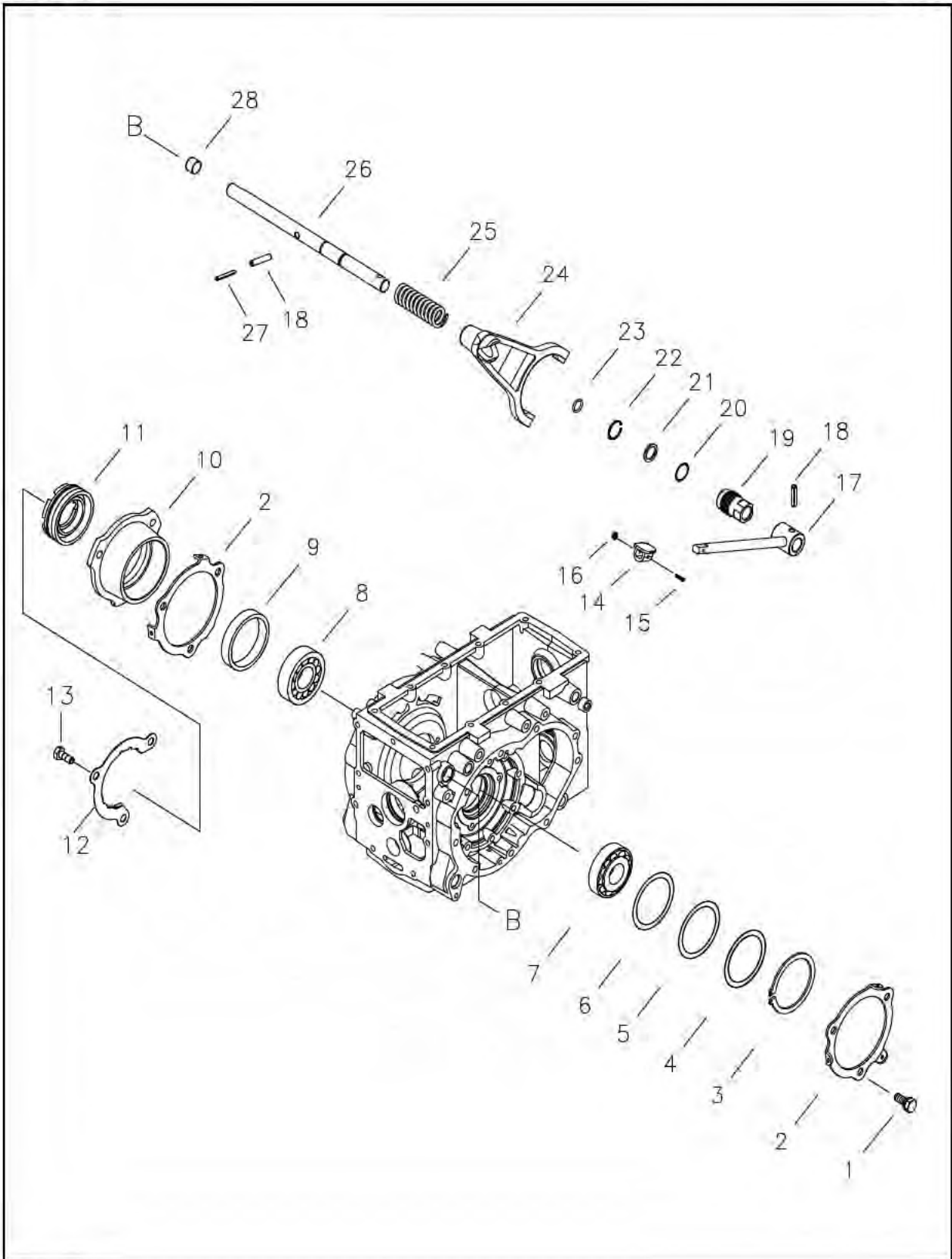
**( MEC )**

NO.	PART NO.	PART NAME & DESCRIPTION	QTY			APP.NO	REM.
			A	B	C		
1	S154102533	BOLT, HEX.	3	3			
2	A1650074	HOLDER, SPRING	2	2			
3	S811090001	RING, SNAP	1	1			
4	3A1970119	SHIM	0.07t	AR	AR		
5	3A1970120	SHIM	0.2t	AR	AR		
6	3A1970121	SHIM	0.5t	3	3		
7	A0862100	BEARING, BALL	#6210	1	1		
8	A1320004	ADAPTER, R/DIFF. SHAFT		1	1		
9	S804030010	O-RING		1	1		
10	A26799980	BEARING, TAPER	#30210	1	1		
11	A1326041	SPACER	98.1X77.1X12	1	1		
12	A1326048	SUPPORT, DIFF.		1	1		
13	3A1326005	SCREW		1	1		
14	A1326050	PLATE, LOCK		1	1		
15	S165102543	BOLT, HEX. F-THR		3	3		
16	A1326063	FORK, DIFF LOCK		1	1		
17	A1326047	SPRING, DIFF. LOCK		1	1		
18	S801016010	O-RING		1	1		
19	A1320028	PEDAL, DIFF LOCK		1	1		
20	S440684012	PIN, SPRING		1	1		
21	S446054012	PIN, SPRING		1	1		
22	S345100043	NUT, FLANGE B-TY.	M10X1.25	1	1		
23	A1320011	PLATE, DIFF. PEDAL		1	1		
24	S227403011	SCREW, W/WASHER		1	1		
25	A1970358	PEDAL, DIFF.		1	1		
26	S343040013	NUT, FLANGE B-TY.		1	1		
27	A1320010	PEDAL, DIFF LOCK		1	1		

# DIFF - LOCK

FIG. 4-1B

G. 320



# DIFF - LOCK

A-NOT AVAILABLE / B-i28,i36

A-NOT AVAILABLE / B-i28,i36

**FIG. 4-1B**

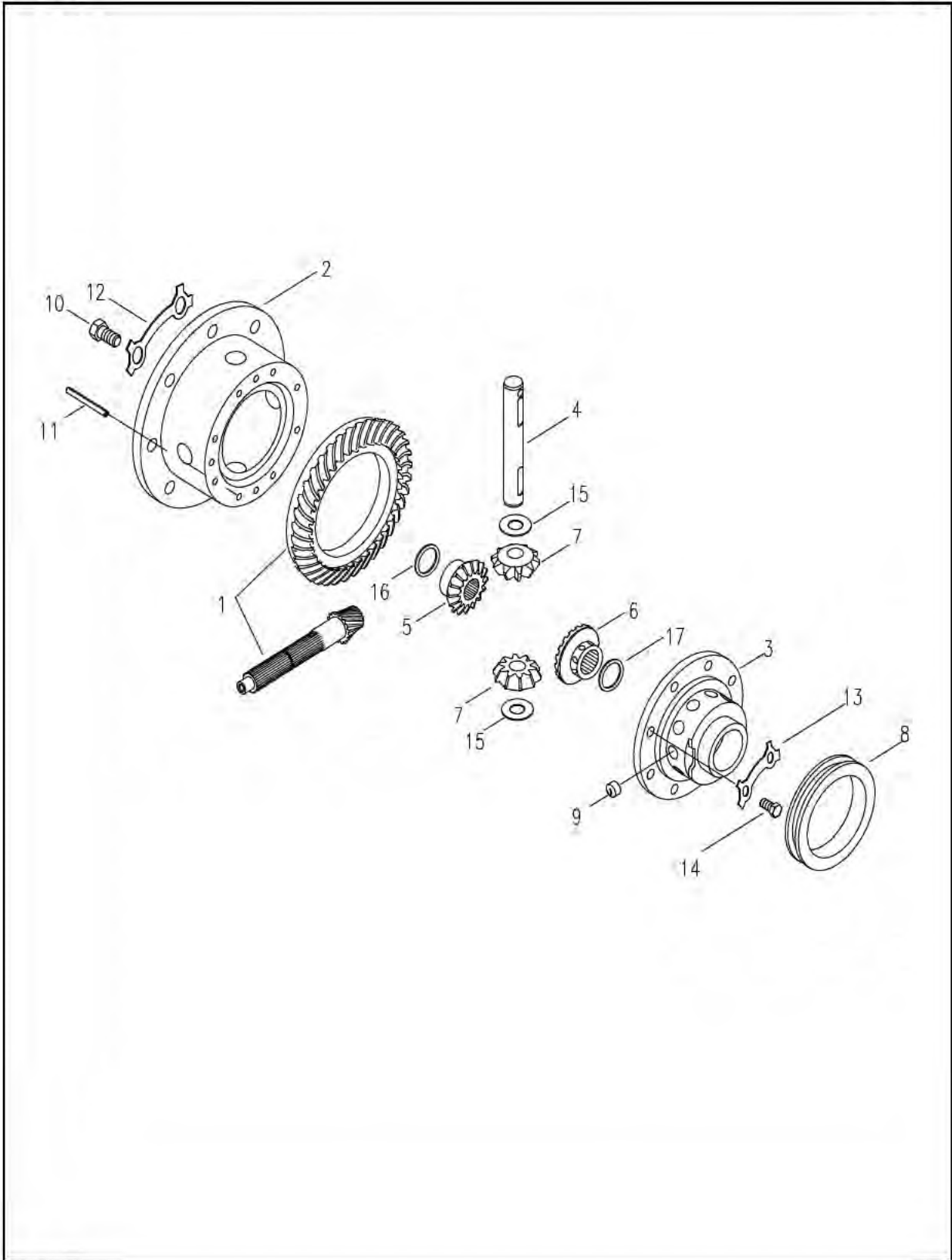
**( HST )**

NO.	PART NO.	PART NAME & DESCRIPTION	QTY			APP.NO	REM.
			A	B	C		
1	S154102533	BOLT, HEX.	3	3			
2	A1650074	HOLDER, SPRING	2	2			
3	S811090001	RING, SNAP	1	1			
4	3A1970119	SHIM	0.07t	AR	AR		
5	3A1970120	SHIM	0.2t	AR	AR		
6	3A1970121	SHIM	0.5t	3	3		
7	A0862100	BEARING, BALL	#6210	1	1		
8	A26799980	BEARING, TAPER	#30210	1	1		
9	A1326041	SPACER	98.1X77.1X12	1	1		
10	A1326048	SUPPORT, DIFF.		1	1		
11	3A1326005	SCREW		1	1		
12	A1326050	PLATE, LOCK		1	1		
13	S165102543	BOLT, HEX. F-THR		3	3		
14	A1970358	PEDAL, DIFF.		1	1		
15	S227403011	SCREW, W/WASHER		1	1		
16	S343040013	NUT, FLANGE B-TY.		1	1		
17	A1320021	PEDAL, DIFF.		1	1		
18	S446084012	PIN, SPRING		2	2		
19	A1320004	ADAPTER, R/DIFF. SHAFT		1	1		
20	S804028010	O-RING		1	1		
21	A1320020	WASHER		1	1		
22	S812020001	RING, SNAP		1	1		
23	S801016010	O-RING		1	1		
24	A1326063	FORK, DIFF LOCK		1	1		
25	A1326047	SPRING, DIFF. LOCK		1	1		
26	A1320022	SHAFT, DIFF LOCK		1	1		
27	S446054012	PIN, SPRING		1	1		
28	3A1290009	CAP, RAIL		1	1		

# REAR DIFFERENTIAL

FIG. 4-2

G. 310



# REAR DIFFERENTIAL

A-NOT AVAILABLE / B-i28,i36

A-NOT AVAILABLE / B-i28,i36

**FIG. 4-2**

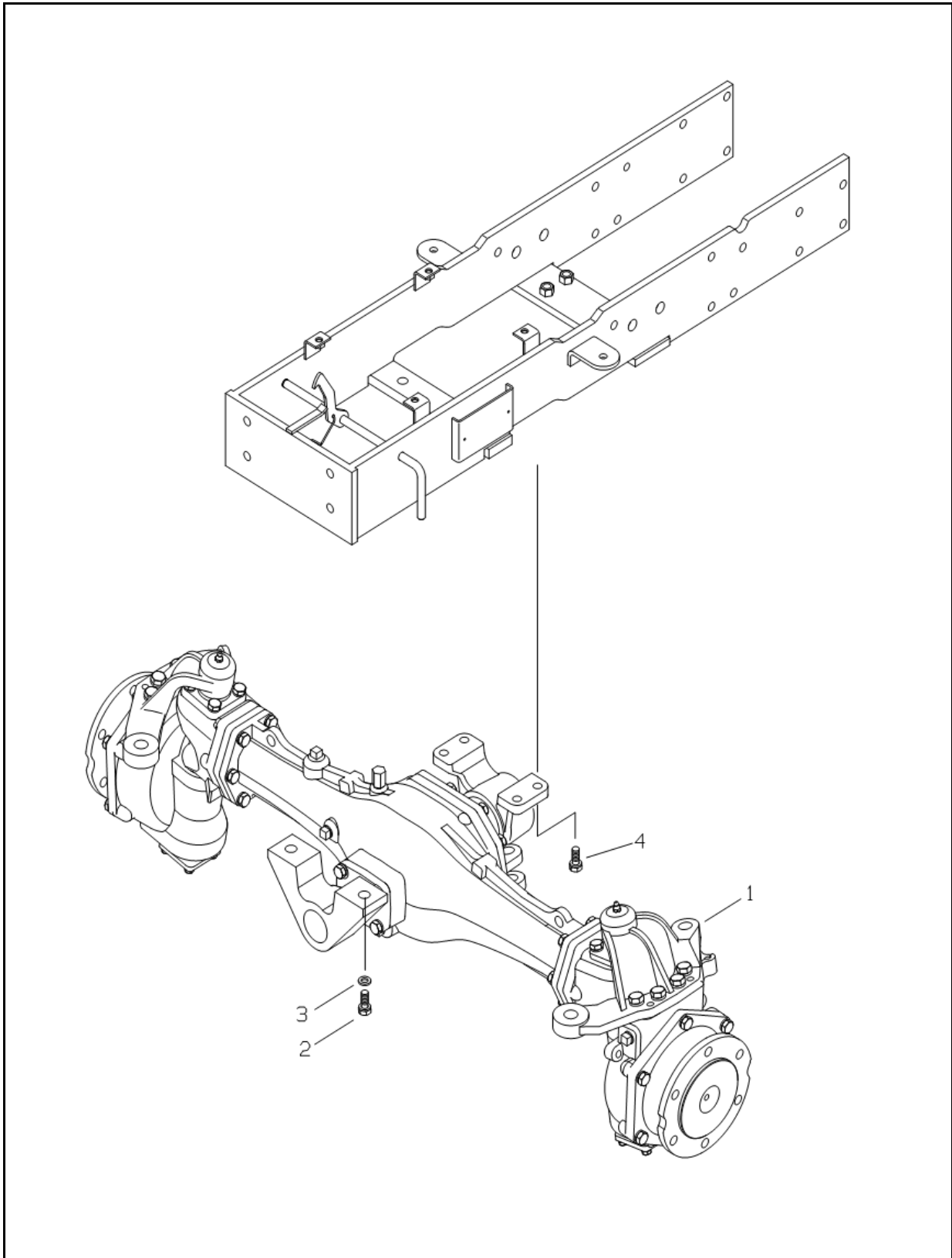
NO.	PART NO.	PART NAME & DESCRIPTION	QTY			APP.NO	REM.
			A	B	C		
1-17	A1310014	DIFF ASSY	1	1			
1	A1310015	PINION & RING GEAR SET	1	1			
2	A1324091	CASE, DIFF. (1)	1	1			
3	A1324074	CASE, DIFF. (2)	1	1			
4	A1324075	SHAFT (1)	1	1			
5	A1324117	GEAR, DIFF. SIDE (LH)	16t	1	1		
6	A1324118	GEAR, DIFF. SIDE (RH)		1	1		
7	A1324116	GEAR, PINION. MATE	10t	2	2		
8	3A1324007	HUB, DIFF-LOCK		1	1		
9	3A1324014	ROLLER	D12x1.5	10	10		
10	A1324090	BOLT, HEX	M12x1.25x23	8	8		
11	S446065010	PIN, SPRING	D6x50	1	1		
12	3A1324012	PLATE, LOCKING	1.0t	4	4		
13	A1324079	WASHER, LOCK (2)	1.0t	4	4		
14	S105082043	BOLT, HEX	M8x1.25	8	8		
15	3A1970123	WASHER, THRUST	OD42.07xID19.45x0.8t	2	2		
16	3A1970122	WASHER, THRUST	OD71.44xID41.47x0.8t	1	1		
17	3A1324003	WASHER, THRUST (LH)	OD74xID55x0.8t	1	1		



# FRONT AXLE ASSY

FIG. 5-1

G. 400

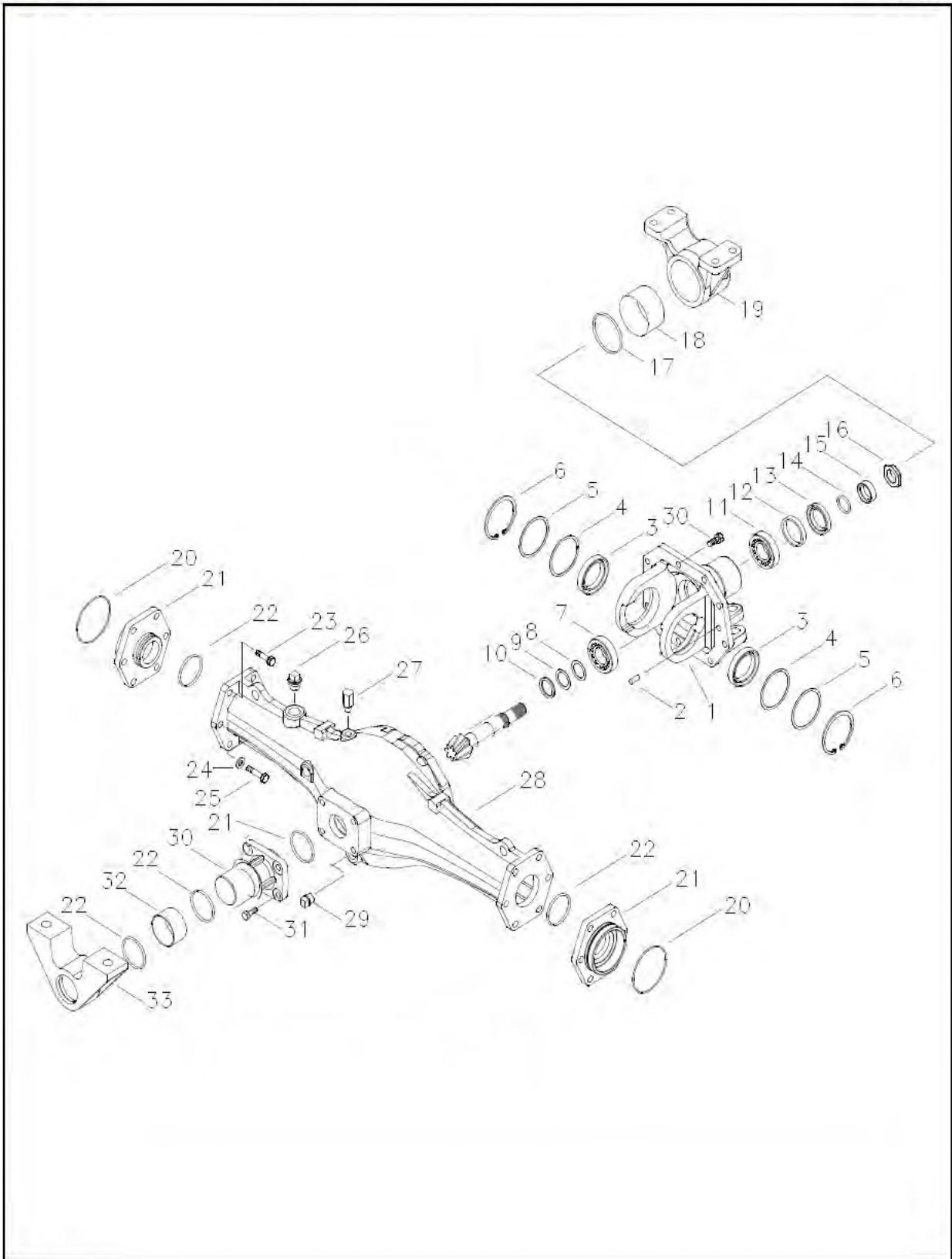




# FRONT AXLE CASE

FIG. 5-2

G. 400



# FRONT AXLE CASE

A-NOT AVAILABLE / B-i28,i36

A-NOT AVAILABLE / B-i28,i36

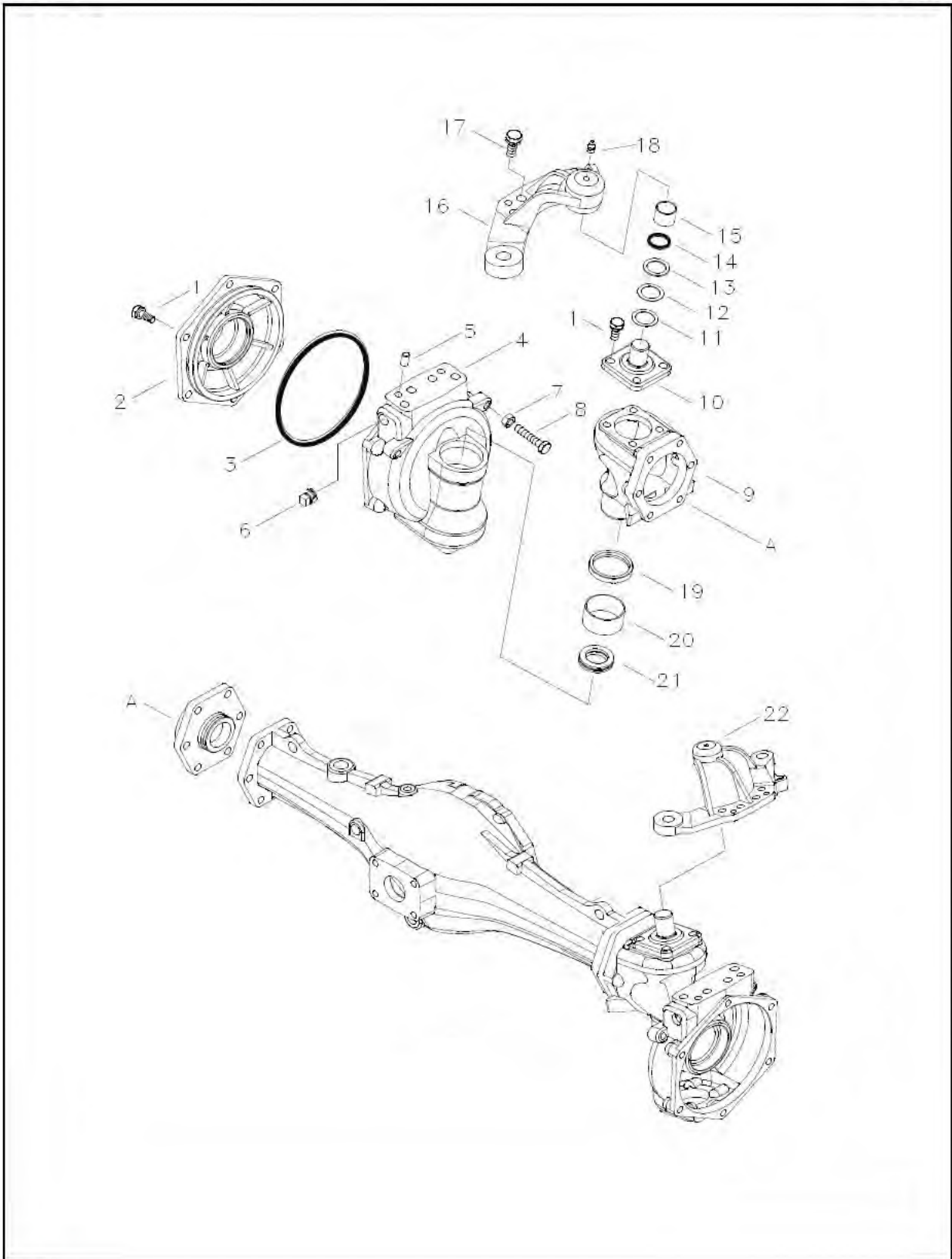
**FIG. 5-2**

NO.	PART NO.	PART NAME & DESCRIPTION		QTY			APP.NO	REM.
				A	B	C		
1	A1400312	HOLDER, DIFF ASSY		1	1			
2	S423102010	PIN, PAR. A-TY. (h7)	Φ10x20	2	2			
3	A0860090	BEARING, BALL	#6009	2	2			
4	A0660425	LINER		AR	AR			
5	A0660427	LINER		AR	AR			
6	S811075001	RING, SNAP	Φ79.5	2	2			
7	A1400307	BEARING, TAPER ROLLER	#30305C	1	1			
8	A0870605	LINER		AR	AR			
9	A0870601	LINER		AR	AR			
10	A1281472	WASHER, THRUST		1	1			
11	A0670156	BEARING, TAPER ROLLER	#30205J	1	1			
12	A1400315	SPACER		1	1			
13	A0651353	SEAL, OIL	TC35x52x9	1	1			
14	S802025010	O-RING(G25)	D24.4x3.1	1	1			
15	A1400023	BUSHING, SEAL		1	1			
16	A1281034	NUT, LOCK		1	1			
17	S802065010	O-RING(G65)	D64.4x3.1	*	1			
18	A0678640	BUSHING, DU		1	1			
19	A1400271	BRACKET, F/AXLE REAR		1	1			
20	S804080010	O-RING	D79.5x2.0	2	2			
21	A1400294	CONNECTOR		2	2			
22	S802050010	O-RING(G55)	D49.4x3.1	5	5			
23	Q1550013	BOLT. HEX. W/WASHER	M10x1.25x40	10	10			
24	S361100013	WASHER, SPR. 1-TYPE	Φ18.4xΦ10.2x2.5t	2	2			
25	A1400318	BOLT, REAMER	M10x1.25x47	2	2			
26	3A1970051	PLUG, TAPER	PT3/8	1	1			
27	3A1400004	BREATHER, AIR		1	1			
28	A1400311	CASE, F/AXLE		1	1			
29	3A1970052	PLUG, TAPER		2	2			
30	A1400267	HOLDER, FRONT PIVOT		1	1			
31	S154103033	BOLT. HEX. W/WASHER	M10x1.25x30	12	12			
32	A0678330	BUSHING, DU		1	1			
33	A1400270	BRACKET, F/AXLE FRONT		1	1			

# FRONT AXLE CASE

FIG. 5-3

G. 400



# FRONT AXLE CASE

A-NOT AVAILABLE / B-i28,i36

A-NOT AVAILABLE / B-i28,i36

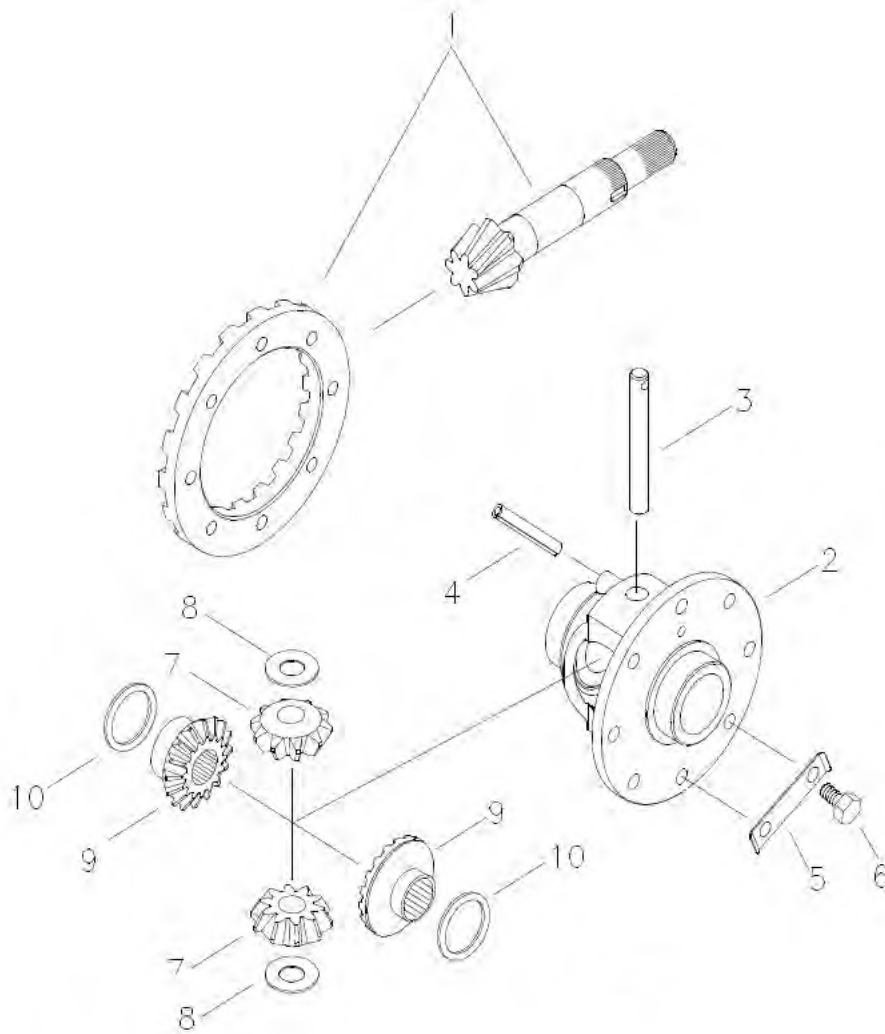
**FIG. 5-3**

NO.	PART NO.	PART NAME & DESCRIPTION		QTY			APP.NO	REM.
				A	B	C		
1	S154102533	BOLT, HEX. W/WASHER	M10x1.25x25	20	20			
2	A1400264	COVER, GEAR CASE		*	2			
	A1400330	COVER, GEAR CASE		2	*			
3	S802165010	O-RING	D164.3x5.7	2	2			
4	A1400262	CASE, GEAR		*	2			
	A1400329	CASE, GEAR		2	*			
5	S423102010	PIN, PAR. A-TY. (h7)	Φ10x20	4	4			
6	3A1970052	PLUG, TAPER		2	2			
7	S302100043	NUT, HEX. 1-TY.	M10x1.25	2	2			
8	S165105043	BOLT, HEX. F-THRD	M10x1.25x50	2	2			
9	A1400335	CASE, KINGPIN		*	2			
	A1400328	CASE, KINGPIN		2	*			
10	A1400266	HOLDER, ARM		2	2			
11	A0870601	LINER		AR	AR			
12	A0870605	LINER		AR	AR			
13	A0870608	LINER		2	2			
14	S801025010	O-RING (P)	D24.7x3.5	*	2			
15	A0677825	BUSHING, DU		2	2			
16	A1400314	ARM, KNUCKLE(RH)		1	1			
17	S153123033	BOLT, HEX. W/WASHER	M12x1.75x30	8	8			
18	3A1970069	NIPPLE, GREASE		2	2			
19	A1405029	SEAL, OIL	TC40x60x12	*	2			
	A1400332	SEAL, GROUP	TC40x60x12	2	*			
20	A0678330	BUSHING, DU		2	2			
21	A0670143	BEARING, THRUST	#51106	2	2			
22	A1400313	KNUCKLE ARM(LH)		1	1			

# FRONT DIFFERENTIAL

FIG. 5-4

G. 400



# FRONT DIFFERENTIAL

A-NOT AVAILABLE / B-i28,i36

A-NOT AVAILABLE / B-i28,i36

**FIG. 5-4**

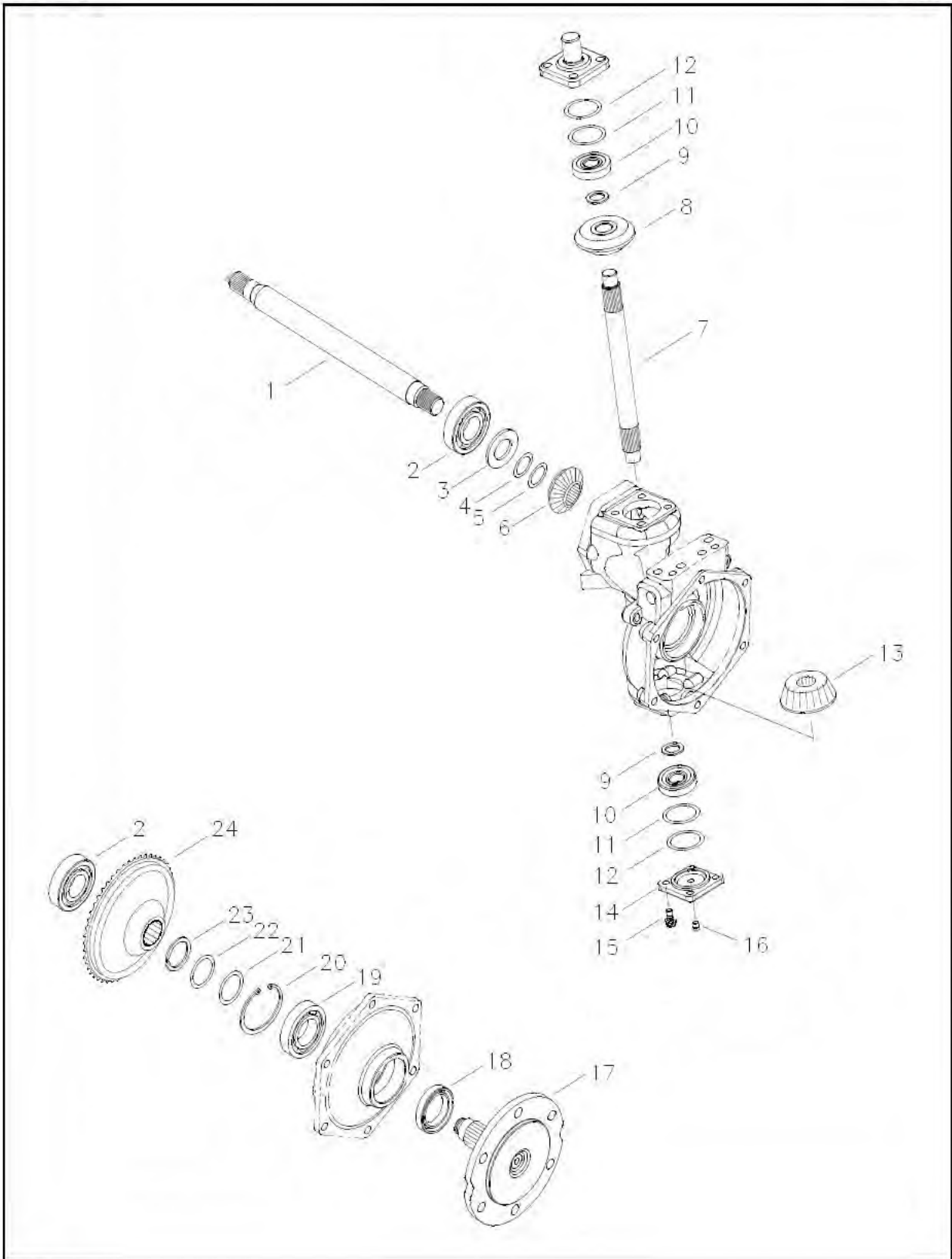
NO.	PART NO.	PART NAME & DESCRIPTION	QTY			APP.NO	REM.
			A	B	C		
1-10	A1410043	DIFF, ASSY F/AXLE	1	1			
1	A1410056	PINION & RING GEAR SET	1	1			
2	A1410060	CASE, DIFF	1	1			
3	A1410058	SHAFT, MATE GEAR	1	1			
4	S446065012	PIN, SPRING	Φ6.4x50	1	1		
5	A1410051	PLATE, LOCK		4	4		
6	S163081643	BOLT, HEX. F-THRD	M8x1.25x16	8	8		
7	A1410057	GEAR MATE(10T)		2	2		
8	A1410059	WASHER, THRUST#2	1.2t	2	2		
9	A1410048	GEAR DIFF SIDE(16T)		2	2		
10	A1410052	WASHER, THRUST#1	1.2t	2	2		



# FRONT DRIVE

FIG. 5-5

G. 400



# FRONT DRIVE

A-NOT AVAILABLE / B-i28,i36

A-NOT AVAILABLE / B-i28,i36

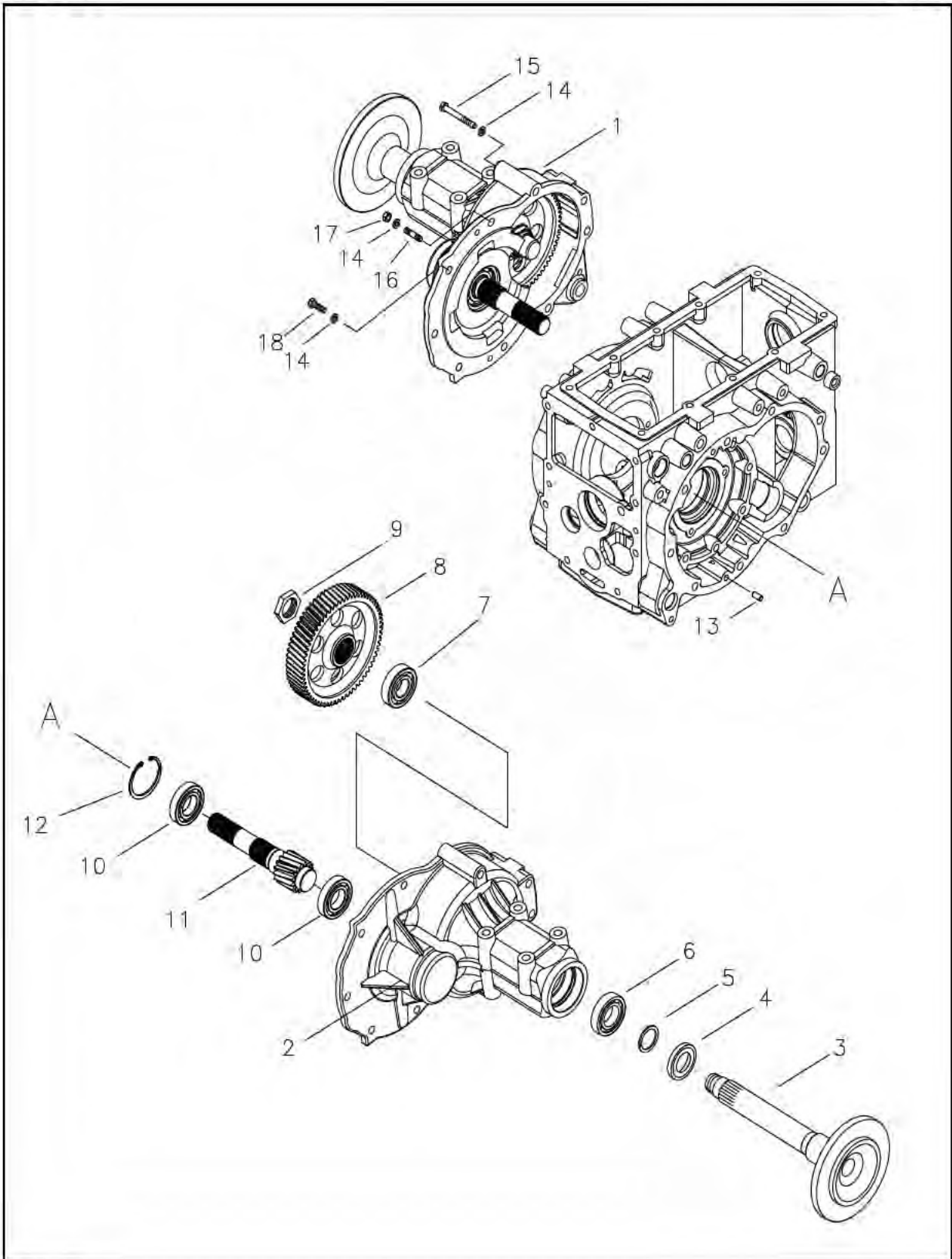
**FIG. 5-5**

NO.	PART NO.	PART NAME & DESCRIPTION	QTY			APP.NO	REM.
			A	B	C		
1	A1400272	SHAFT, F/DIFF	2	2			
2	A0863060H1	BEARING, BALL	4	4			
3	A12871472	WASHER, THRUST	2	2			
4	A0870601	LINER	AR	AR			
5	A0870605	LINER	AR	AR			
6	A1400275	BEVEL GEAR(13T)	2	2			
7	A1400273	SHAFT, KINGPIN	2	2			
8	A1400276	BEVEL GEAR(16T)	2	2			
9	A1400308	SPACER	4	4			
10	A1400309	BEARING, TAPER ROLLER	4	4			
11	A0870461	LINER	AR	AR			
12	A0870465	LINER	AR	AR			
13	A1400277	BEVEL GEAR(13T)	2	2			
14	A1400265	COVER, KINGPIN	2	2			
15	S153082033	BOLT, HEX W/WASHER	8	8			
16	3A1970052	PLUG, TAPER	2	2			
17	A1400274	SHAFT, F/AXLE	*	2			
	A1400331	SHAFT, F/AXLE	2	*			
18	A1287211	SEAL, OIL	*	2			
	A1400332	SEAL, GROUP	2	*			
19	A0862070	BEARING, BALL	2	2			
20	S811072001	RING, SNAP	2	2			
21	A0870451	LINER	AR	AR			
22	A0870455	LINER	AR	AR			
23	S812035001	RING, SNAP	2	2			
24	A1400278	BEVEL GEAR(35T)	2	2			

# REAR AXLE

FIG. 5-6

G. 480



# REAR AXLE

A-NOT AVAILABLE / B-i28,i36

A-NOT AVAILABLE / B-i28,i36

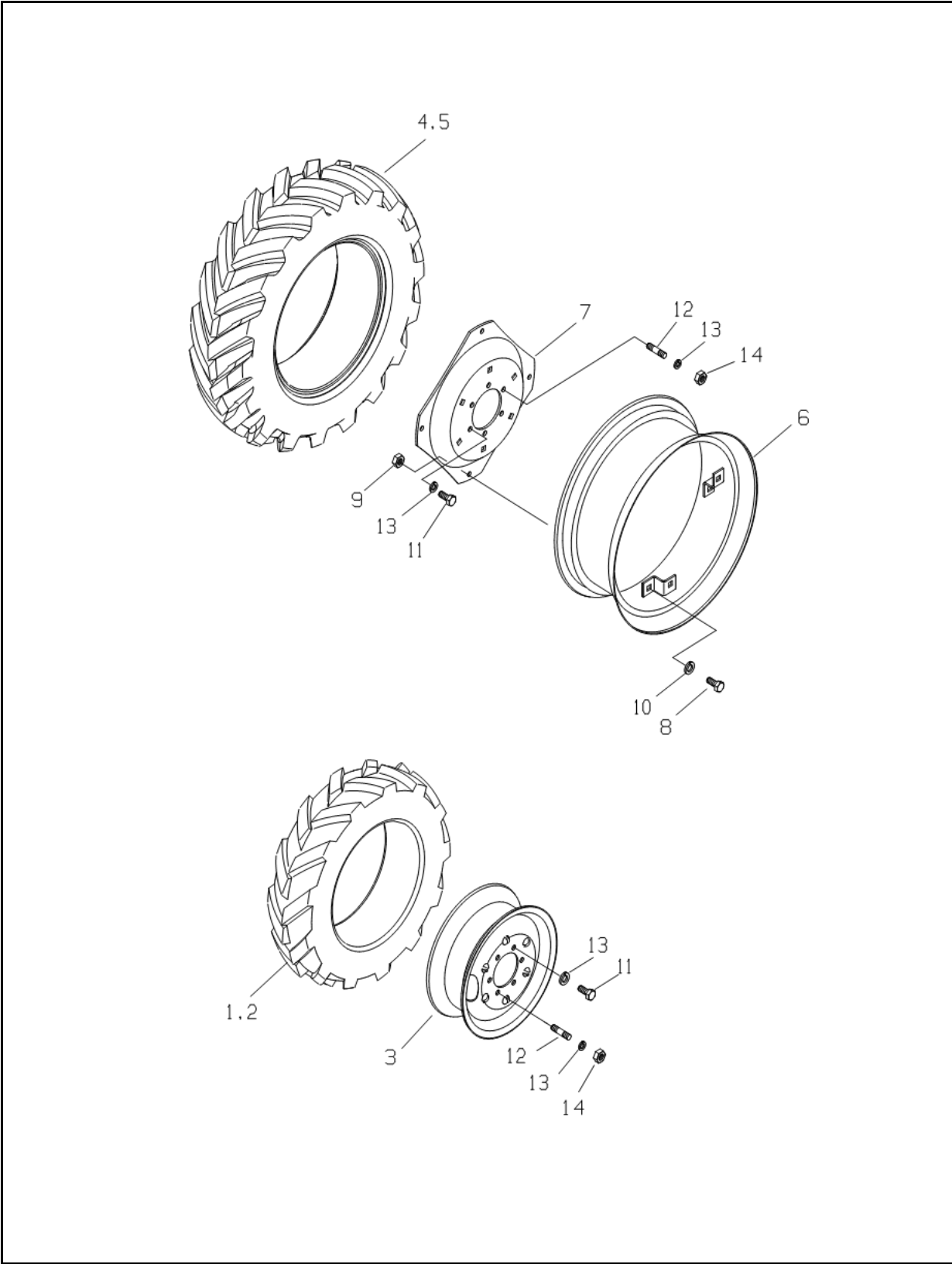
**FIG. 5-6**

NO.	PART NO.	PART NAME & DESCRIPTION	QTY			APP.NO	REM.
			A	B	C		
1,3~12	A1480130	FINAL DRIVE ASSY (RH)	1	1			
2~12	A1480129	FINAL DRIVE ASSY (LH)	1	1			
1	A1480132	CASE, F/DRIVE(RH)	1	1			
2	A1480131	CASE, F/DRIVE(LH)	1	1			
3	A1481066	SHAFT, REAR AXLE	1	1			
4	A1450014	SEAL, OIL	1	1			
5	S812045001	RING, SNAP	1	1			
6	A0832009XJ	BEARING, TAPER (#32009XJ)	1	1			
7	A0830209J	BEARING, TAPER (#30209J)	1	1			
8	A1481085	GEAR, FINAL DRVN.(65T)	1	1			
9	A1481040	NUT, LOCK	1	1			
10	A0862080HL	BEARING, BALL	2	2			
11	A1481084	SHAFT, FINAL DRV. W/GEAR(16T)	1	1			
12	S811080001	RING, SNAP	1	1			
13	S423102010	PIN_PAR A-TY	4	4			
14	S102141243	BOLT, HEX.	8	8			
15	S362140013	WASHER, SPR. 2-TY.	18	18			
16	S137144023	BOLT, STUD	4	4			
17	S301140043	NUT, HEX. 1-TY.	4	4			
18	S101144043	BOLT, HEX.	6	6			

# FRONT & REAR WHEEL (TIRE)

FIG. 5-7

G. 490



# FRONT & REAR WHEEL (TIRE)

A-NOT AVAILABLE / B-i28,i36

A-NOT AVAILABLE / B-i28,i36

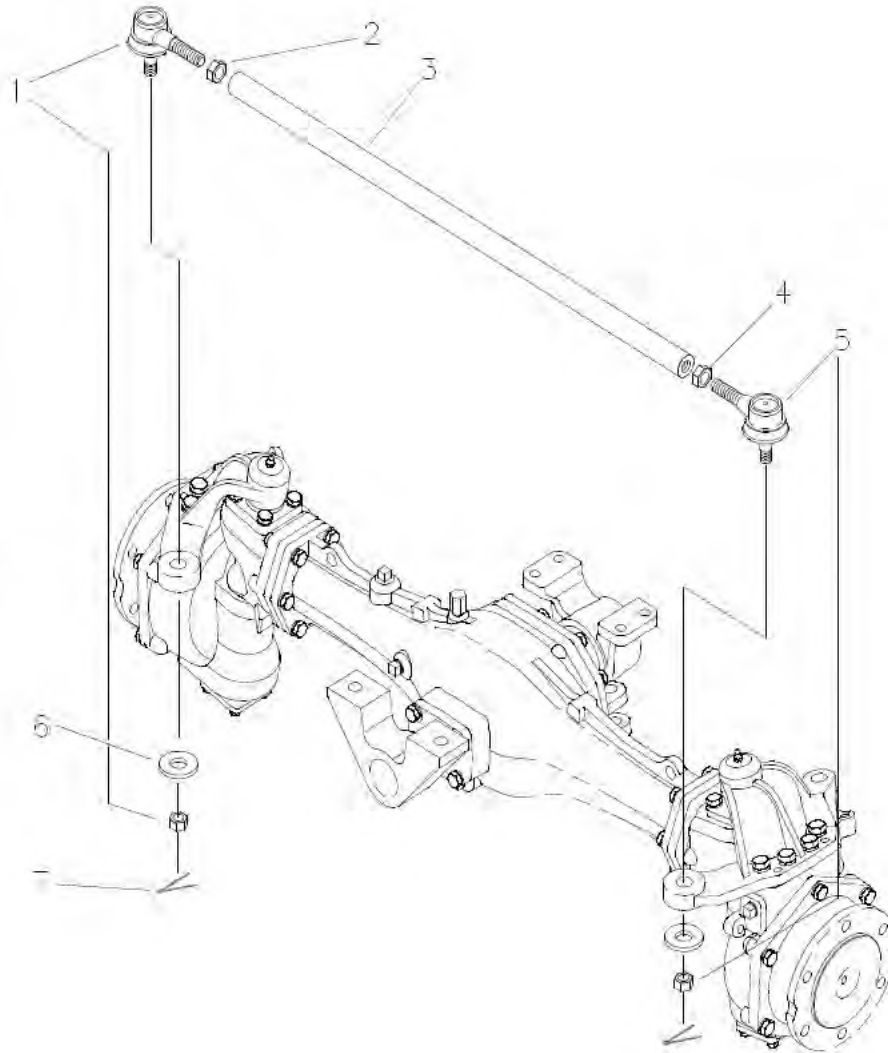
**FIG. 5-7**

NO.	PART NO.	PART NAME & DESCRIPTION		QTY			APP.NO	REM.
				A	B	C		
1~2	A1490053	FRONT TIRE ASSY	7-16 4PR	2	2			i36,i38
1	A1494069	TIRE, FRONT(7-16 4PR)	7-16 4PR	1	1			
2	A1490036	TUBE, FRONT	7-16 4PR	1	1			
1~2	A1490143	FRONT TIRE ASSY	7-14 4PR	2	2			i28,i30
1	A1490103	TIRE, FRONT(7-14 4PR)	7-14 4PR	1	1			
2	A1490009	TUBE, FRONT	7-14 4PR	1	1			
3	A1490207	FRONT RIM ASSY	W6X16	2	2			i36,i38
3	A1490197	FRONT RIM ASSY	W5X14	2	2			i28,i30
4~5	A1490068	REAR TIRE ASSY	12.4-24 6PR	2	2			i36,i38
4	A00010525	TUBE, INNER (W/VALVE)	12.4-24 6PR	1	1			
5	A1494065	TIRE REAR(12.4-24 FM2 6PR)	12.4-24 6PR	1	1			
4~5	A1494055	REAR TIRE ASSY	11.2-24 8PR	2	2			i28,i30
4	A1494044	TUBE, REAR	11.2-24 8PR	1	1			
5	A1494043	TIRE, REAR(11.2-24 8P H)	11.2-24 8PR	1	1			
6~10	A1490022	REAR RIM ASSY	W10X24	2	2			i36,i38
6	A1490023	RIM	W10X24	1	1			
7	A1490024	DISK	W10X24	1	1			
8	A1970077	BOLT, HEX	M16X1.5X37	4	4			
9	S306160013	NUT, HEX. 2TY	M15X1.5	4	4			
10	S361160013	WASHER, SPR. 1-TY.	D28Xd16.2X4t	4	4			
6~10	A1490150	RIM & DISK ASSY	W10X24	2	2			i28,i30
6	A5000518	RIM	W10X24	1	1			
7	A1490148	DISK	W10X24	1	1			
8	A5002174	BOLT, WHEEL DISK	M16X1.5X82	6	6			
9	A5002175	NUT, WHEEL DISK	M16X1.5	6	6			
10	A5002232	WASHER, CON. SPR.	D34Xd16X5t	6	6			
11	S103163043	BOLT, HEX.	M16X1.5X30L	16	16			
12	S167162523	BOLT, STUD	M16X1.5X25L	8	8			
13	S361160013	WASHER, SPR. 1-TY.	D28Xd16.2X4t	24	24			
14	S302160043	NUT, HEX. 1-TY	M16X1.5	8	8			

# TIE ROD

FIG. 6-1

G. 610



# TIE ROD

A-NOT AVAILABLE / B-i28,i36

A-NOT AVAILABLE / B-i28,i36

**FIG. 6-1**

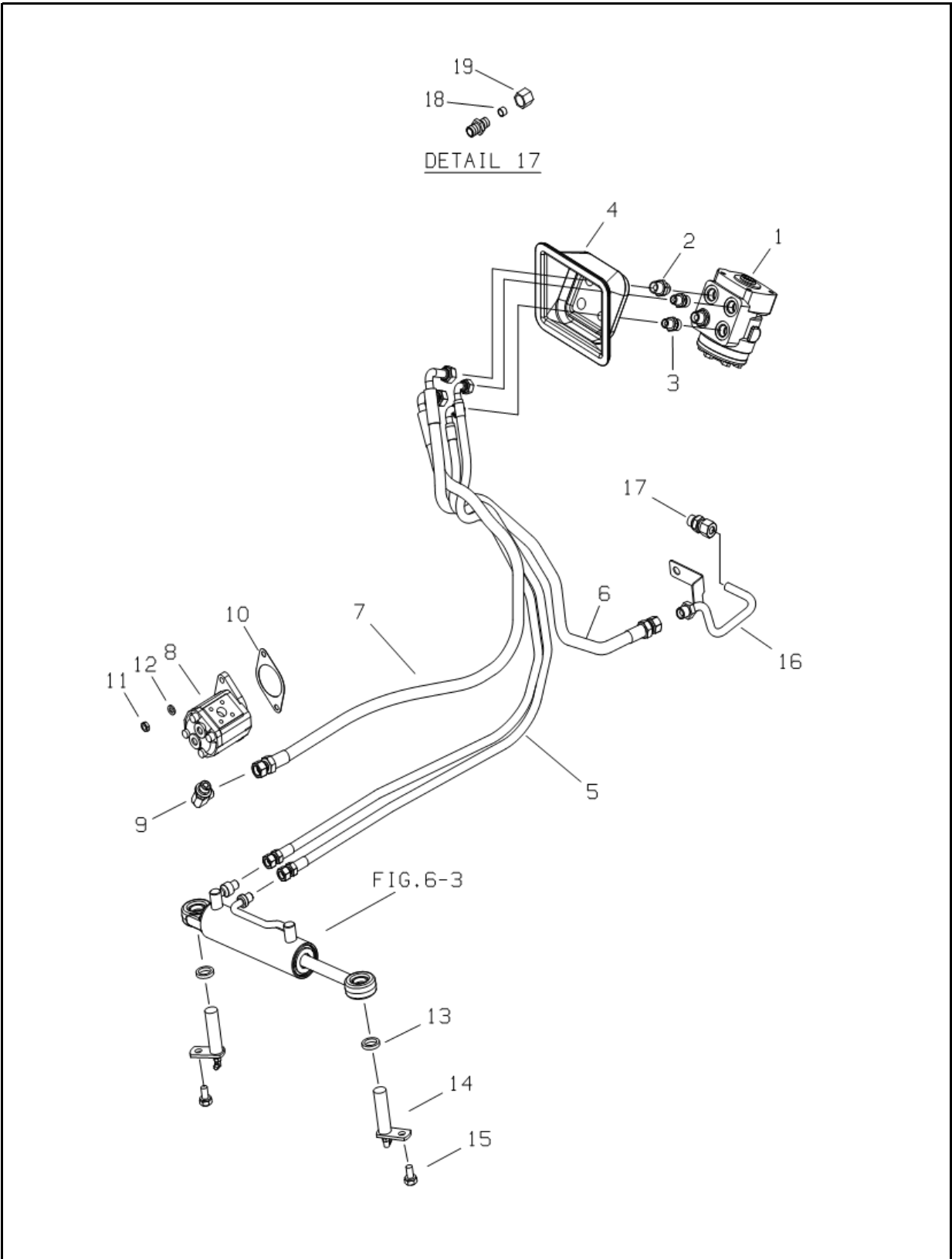
NO.	PART NO.	PART NAME & DESCRIPTION		QTY			APP.NO	REM.
				A	B	C		
1~5	A1610045	TIE ROD ASSY	888L	1	1			
1	A1610035	END ASSY, LH		1	1			
2	A1610016	NUT, HEX. LH	M18×1.5(L)	1	1			
3	A1610046	PIPE, TIE ROD		1	1			
4	S306180043	NUT, HEX. RH	M18×1.5	1	1			
5	A1610036	END ASSY, RH		1	1			
6	S365164013	WASHER, PLN.	3t	2	2			
7	S441403613	PIN, SPLIT	Φ4×36	2	2			



# STEERING LINES

FIG. 6-2A

G. 630



# STEERING LINES

A-NOT AVAILABLE / B-i28,i36

A-NOT AVAILABLE / B-i28,i36

**FIG. 6-2A**

NO.	PART NO.	PART NAME & DESCRIPTION		QTY			APP.NO	REM.
				A	B	C		
1	A1630628	UNIT, STEERING	62CC/REV	1	1			
2	A1630538	JOINT, HOSE	HOFM-0303G	1	1			
3	A1630524	JOINT, HOSE	HOFM-0203G	2	2			
4	A1630530	COVER, STEERING HOSE		1	1			
5	A1630569	HOSE, STEERING CYLINDER	1/4"	2	2			
6	A1630576	HOSE, STR. DRAIN	3/8"	1	1			
7	A1630527	HOSE, PRESSURE HOSE	3/8"	1	1			
8	A1630540	PUMP, STEERING	6CC/REV	1	*			
	A1630539	PUMP, STEERING	6CC/REV	*	1			
9	A1630543	JOINT	HOFBM-0303G	1	*			
	A1630541	JOINT	HOFBM-0303G	*	1			
10	A1630547	PACKING, PUMP		1	1			
11	S313080013	NUT, HEX	M8x1.25	2	2			
12	S361080013	WASHER, SPRING	Φ15.4xΦ8.2x2t	2	2			
13	A1630135	SPACER, CYLINDER PIN		2	2			
14	A1630327	PIN ASSY, CYLINDER		2	2			
15	S154102033	BOLT, HEX W/WASHER		2	2			
16,17	A1630620	DRAIN PIPE ASSY		1	1			MEC
16	A1630621	PIPE, P/S DRAIN		1	1			MEC
17	A1630144	JOINT	BOM12-03G	1	1			MEC
18	A1630169	SLEEVE	Φ12	1	1			
19	A1630170	NUT, HEX		1	1			



# STEERING LINES

A-NOT AVAILABLE / B-i28,i36

A-NOT AVAILABLE / B-i28,i36

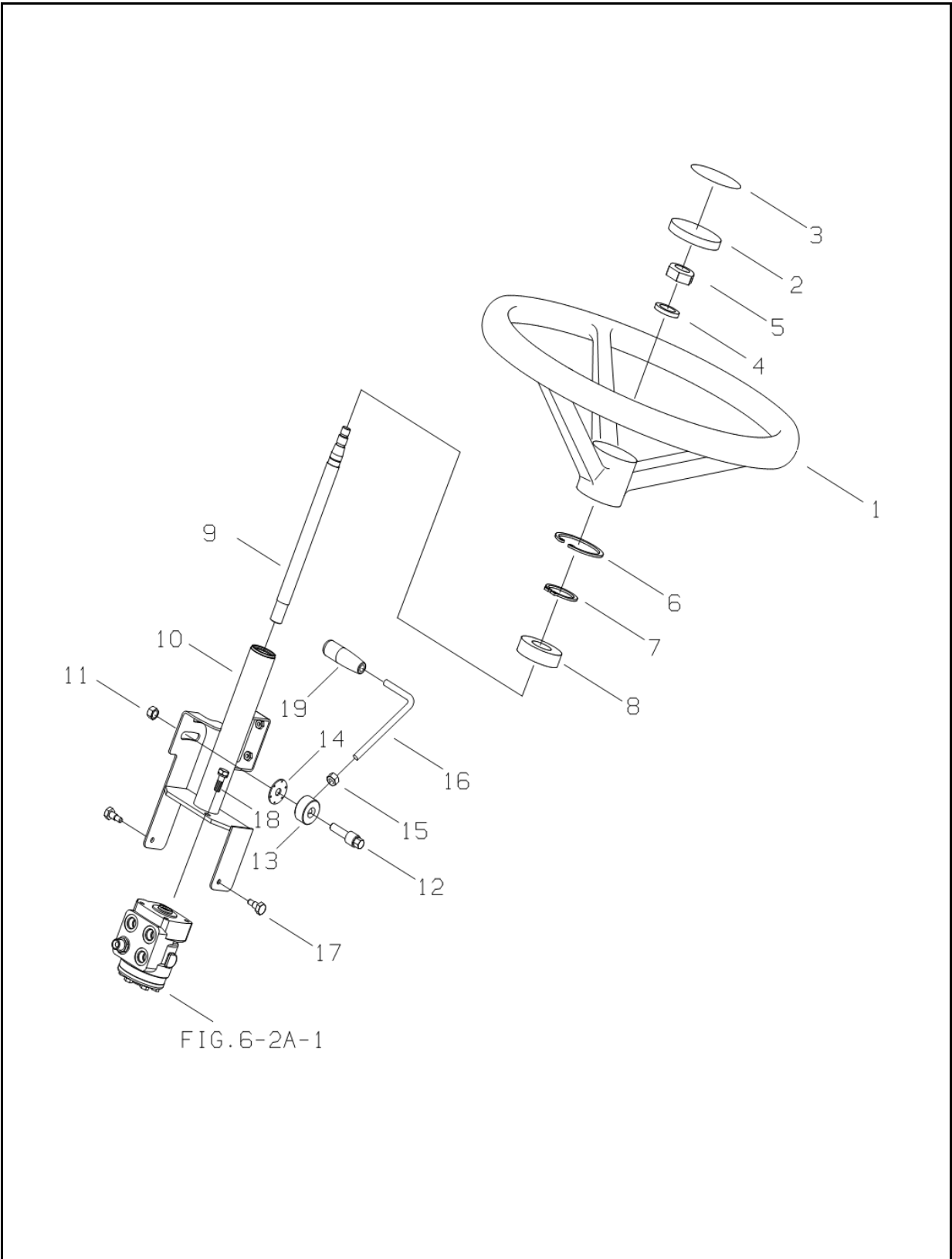
**FIG. 6-2A**

NO.	PART NO.	PART NAME & DESCRIPTION		QTY			APP.NO	REM.
				A	B	C		
1	A1630586	UNIT, STEERING	62CC/REV	1	1			
2	A1630538	JOINT, HOSE	HOFM-0303G	1	1			
3	A1630524	JOINT, HOSE	HOFM-0203G	2	2			
4	A1630530	COVER, STEERING HOSE		1	1			
5	A1630569	HOSE, STEERING CYLINDER	1/4"	2	2			
6	A1630576	HOSE, STR. DRAIN	3/8"	1	1			
7	A1630527	HOSE, PRESSURE HOSE	3/8"	1	1			
8	A1630540	PUMP, STEERING	6CC/REV	1	*			
	A1630539	PUMP, STEERING	6CC/REV	*	1			
9	A1630543	JOINT	HOFBM-0303G	1	*			
	A1630541	JOINT	HOFBM-0303G	*	1			
10	A1630547	PACKING, PUMP		1	1			
11	S313080013	NUT, HEX	M8x1.25	2	2			
12	S361080013	WASHER, SPRING	Φ15.4xΦ8.2x2t	2	2			
13	A1630135	SPACER, CYLINDER PIN		2	2			
14	A1630327	PIN ASSY, CYLINDER		2	2			
15	S154102033	BOLT, HEX W/WASHER		2	2			
16,17	A1630620	DRAIN PIPE ASSY		1	1			MEC
16	A1630621	PIPE, P/S DRAIN		1	1			MEC
17	A1630144	JOINT	BOM12-03G	1	1			MEC
18	A1630169	SLEEVE	Φ12	1	1			
19	A1630170	NUT, HEX		1	1			

# STEERING WHEEL & COLUMN

FIG. 6-3

G. 630



# STEERING WHEEL & COLUMN

A-NOT AVAILABLE / B-i28,i36

A-NOT AVAILABLE / B-i28,i36

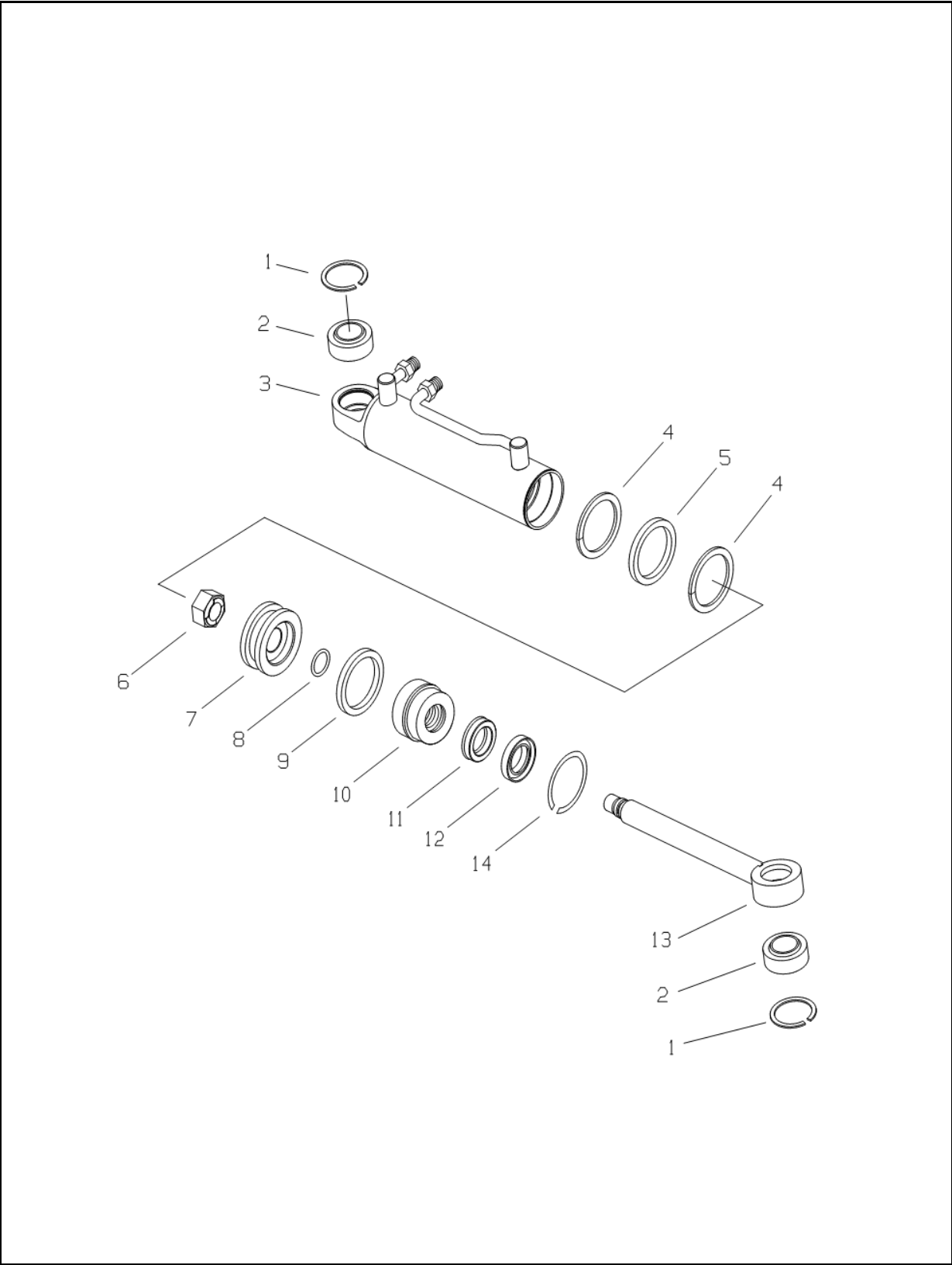
**FIG. 6-3**

NO.	PART NO.	PART NAME & DESCRIPTION	QTY			APP.NO	REM.
			A	B	C		
1~3	A1630579	WHEEL ASSY, STEERING	D380	1	1		
1	A1630580	WHEEL, STEERING		1	1		
2	A5000583	CAP, WHEEL		1	1		
3	A1981069	DECAL, LS EMBLEM		1	1		
4	S361140013	WASHER, SPRING	Φ24.5xΦ14.2x3.5t	1	1		
5	S314140013	NUT, HEX.	M14xP1.5	1	1		
6~10	A1630531	STEERING COLUMN ASSY		1	1		
6	S811037001	RING, SNAP	D37	1	1		
7	S810020001	RING, SNAP(S)	D20	1	1		
8	A0869044	BEARING, BALL		1	1		
9	A1630533	SHAFT, STEERING		1	1		
10	A1630532	COLUMN, STEERING		1	1		
11	A0610260	NUT	M12X1.25	1	1		
12	A1630553	BOLT, TILTING GUIDE		1	1		
13	A1630554	ARM, TILTING LOCKING		1	1		
14	A1630419	PLATE, TILTING LOCKING		1	1		
15	S306100013	NUT	M10X1.25	1	1		
16	A1630534	LEVER, TILTING LOCKING		1	1		
17	A1630537	BOLT, TILTING HINGE		2	2		
18	S153102533	BOLT, HEX.	M10X1.25X25	2	2		
19	A1970242	GRIP, LEVER		1	1		

# STEERING CYLINDER

FIG. 6-4

G. 630



# STEERING CYLINDER

A-NOT AVAILABLE / B-i28,i36

A-NOT AVAILABLE / B-i28,i36

**FIG. 6-4**

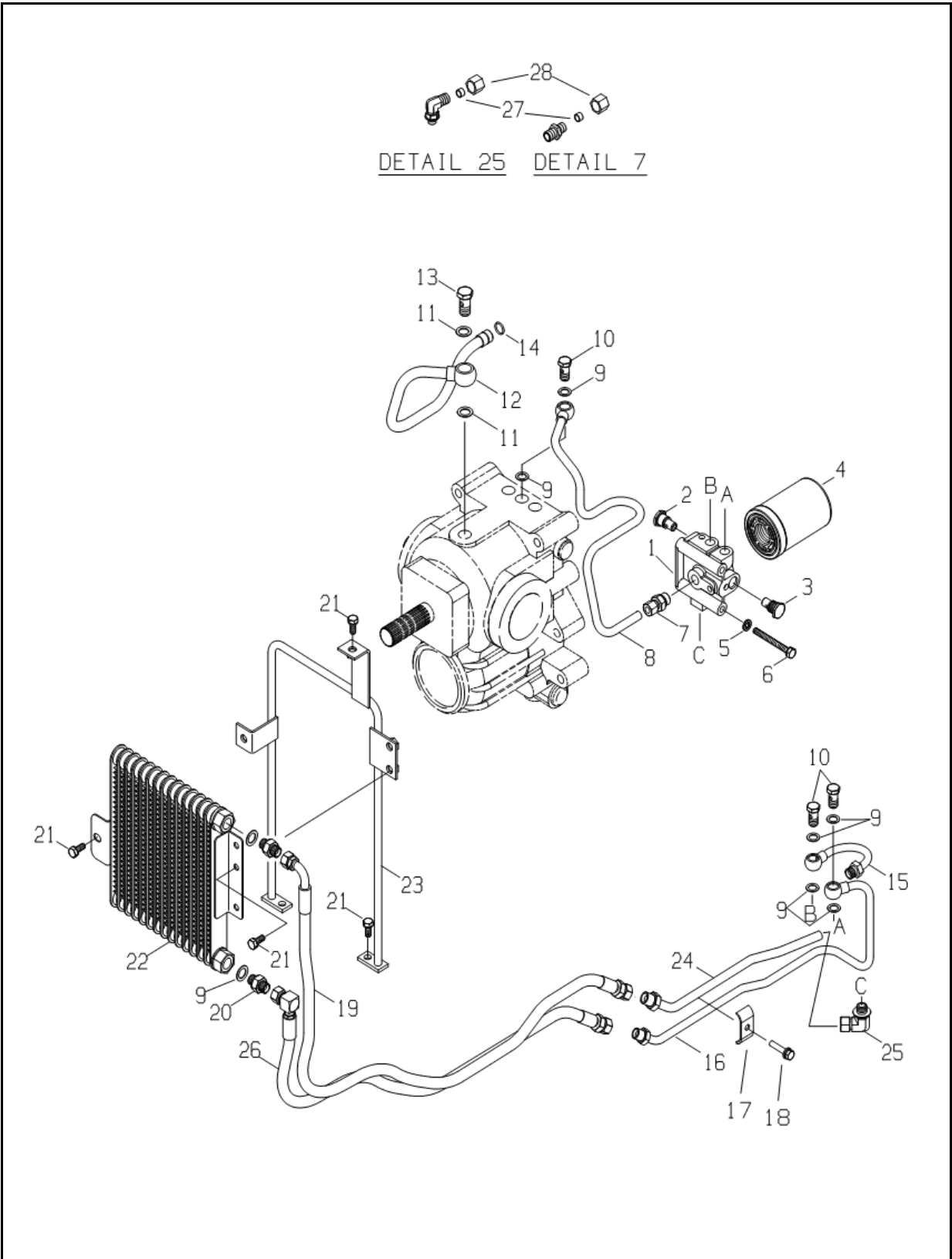
NO.	PART NO.	PART NAME & DESCRIPTION		QTY			APP.NO	REM.
				A	B	C		
1~14	A1630473	STEERING CYLINDER	293~446L	1	1			
1	S813035001	RING, SNAP	Φ35	2	2			
2	A1630159	BUSHING, BALL		2	2			
3	A1630474	CYLINDER ASSY		1	1			
4	A1630480	RING, BACK UP	Φ45	2	2			
5	S801039010	O-RING	D38.7×3.5	1	1			
6	A1630479	NUT, LOCK	M12×1.25	1	1			
7	A1630476	PISTON, STR. CYLINDER		1	1			
8	S801014010	O-RING (P)	D13.8×2.4	1	1			
9	S801040010	O-RING	D39.7×3.5	1	1			
10	A1630477	SLEEVE, STR. CYLINDER		1	1			
11	A1630481	U-PACKING	Φ18	1	1			
12	A1630482	SEAL, DUST	Φ18	1	1			
13	A1630475	ROD, STR. CYLINDER	Φ18	1	1			
14	A1630478	RING, WIRE	Φ2	1	1			



# COOLER

FIG. 6-5

G. 640



# COOLER

A-NOT AVAILABLE / B-i28,i36

B-i28,i36

**FIG. 6-5**

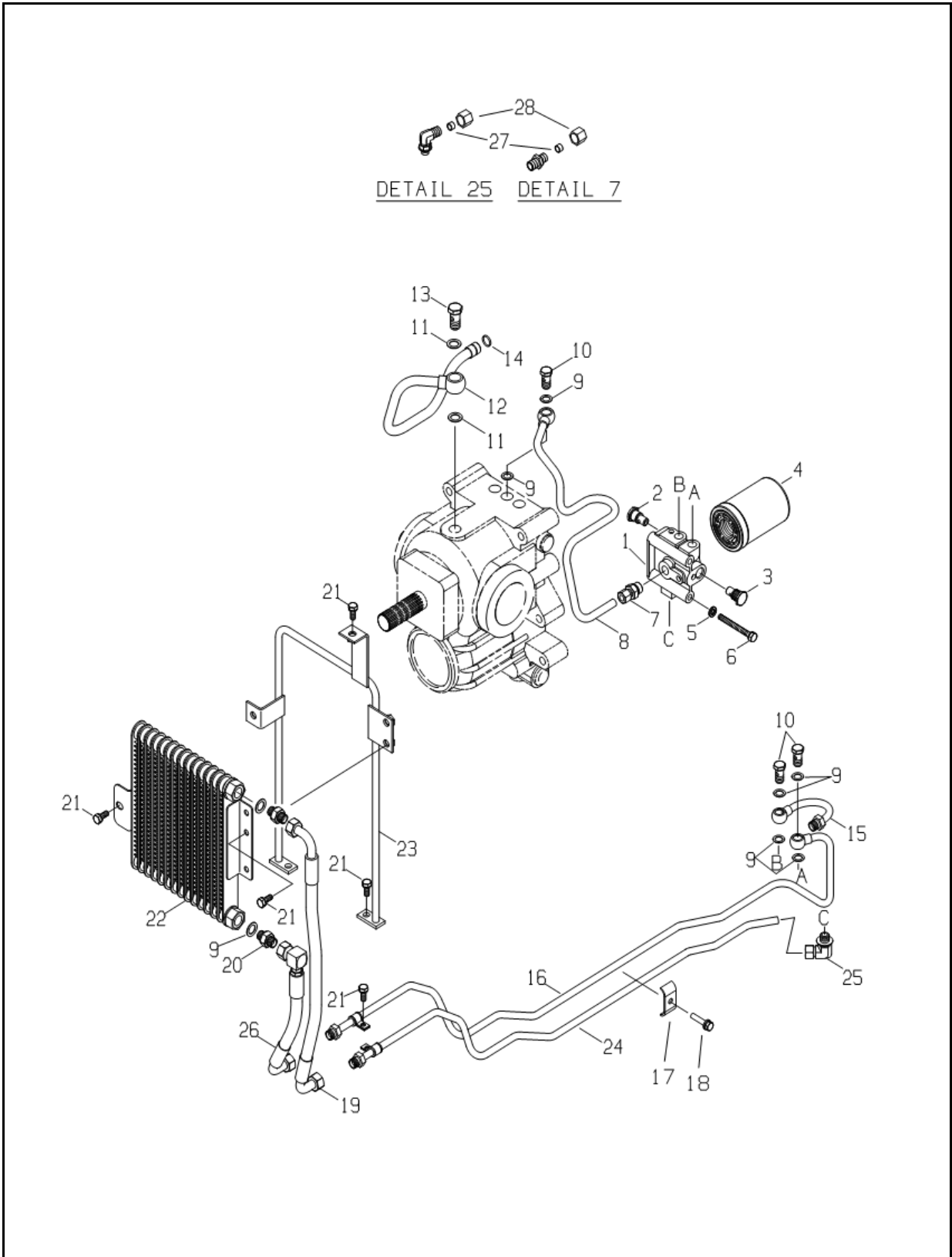
**( HST )**

NO.	PART NO.	PART NAME & DESCRIPTION	QTY			APP.NO	REM.
			A	B	C		
1~3	A1640091	FILTER FLANGE ASSY	*	1			
1	A1640092	FLANGE, FILTER	*	1			
2	A1640058	VALVE, OIL COOLER	*	1			
3	A1640059	VALVE, OIL FILTER	*	1			
4	A1640093	FILTER, HYD.	*	1			
		1 3/8-12UNF-28					
5	S361100013	WASHER	*	2			
6	S102101243	BOLT, HEX	*	2			
		M10					
7~8	A1640062	INLET PIPE SUB ASSY	*	1			28cc
7	A1630150	JOINT	*	1			
		PF1/2					
8	A1640061	PIPE, INLET	*	1			28cc
		Φ12					
9	A1823245	SEAL, BONDED	*	8			
10	A1630201	BOLT, UNION	*	3			
		PF3/8					
11	A1823252	SEAL, BONDED	*	2			
12	A1640033	PIPE, OUTLET	*	1			
		Φ15					
13	A1823161	BOLT, EYE	*	1			
		PF1/2					
14	S804016010	O-RING	*	1			
15	A1640063	UNION, HOSE	*	1			
		S16					
16	A1640096	PIPE, COOLER RETURN	*	1			
		PF3/8					
17	A5001357	CLAMP, PIPE A	*	1			
		Φ12					
18	S155063033	BOLT, HEX	*	1			
		M6X1.0X30					
19	A1640100	HOSE, COOLER IN	*	1			
		PF3/8					
20	A1640064	UNION, HOSE	*	2			
21	S155082033	BOLT, HEX	*	8			
		M8x1.25x20L					
22	A3180673	COOLER	*	1			
23	A1640076	SUPPORT , COOLER	*	1			
24~25	A1640098	COOLER INLET PIPE ASSY	*	1			
24	A1640101	PIPE, COOLER INLET	*	1			
		Φ12					
25	A1630101	ELBOW	*	1			
		PF3/8					
26	A1640099	HOSE, COOLER OUT	*	1			
		PF3/8					
27	A1630169	SLEEVE	*	1			
		Φ12					
28	A1630170	NUT	*	1			

# COOLER

FIG. 6-5

G. 640



# COOLER

A-NOT AVAILABLE / B-i28,i36

B-i28,i36

**FIG. 6-5**

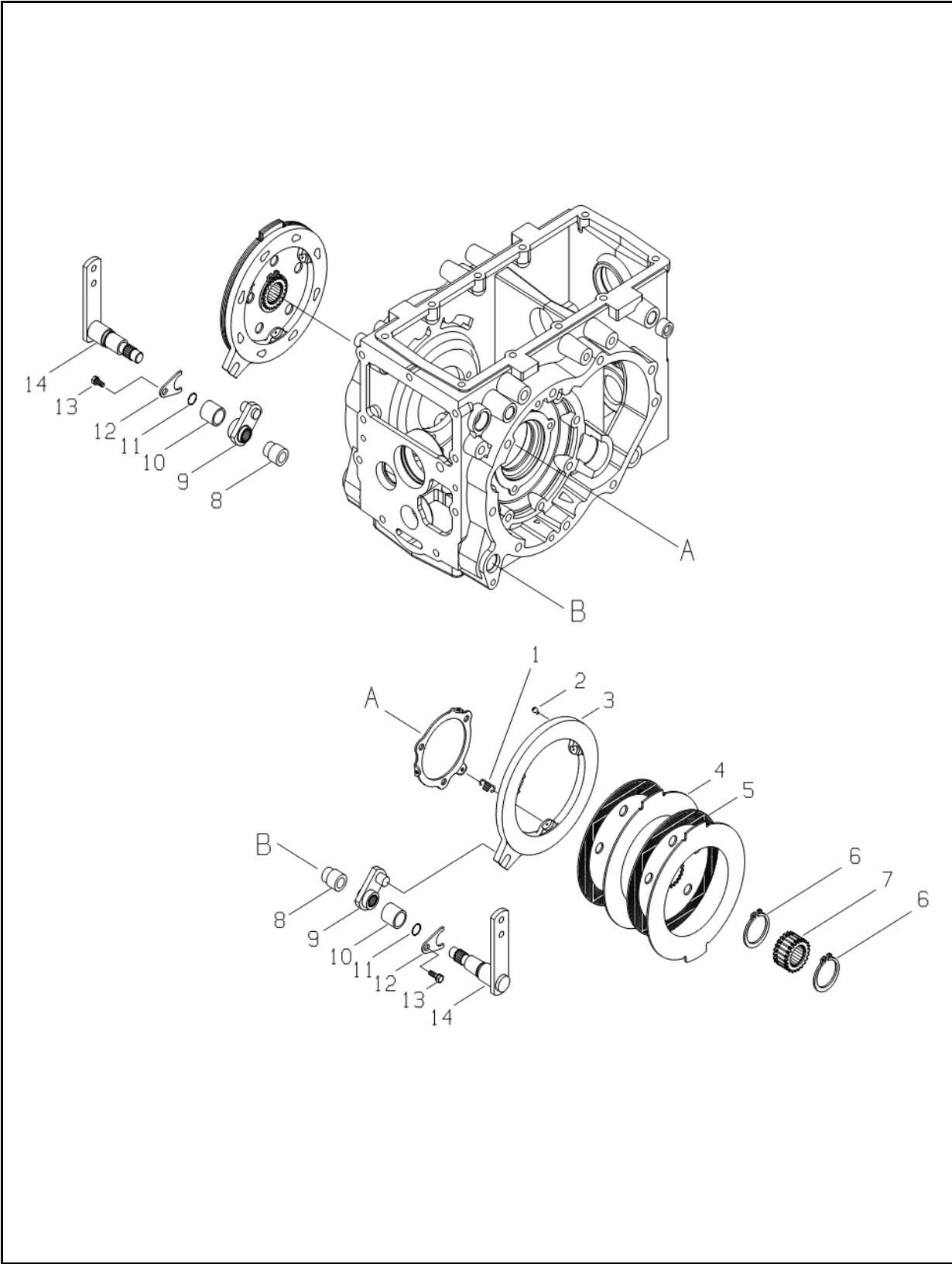
**( HST )**

NO.	PART NO.	PART NAME & DESCRIPTION	QTY			APP.NO	REM.
			A	B	C		
1~3	A1640091	FILTER FLANGE ASSY	*	1			
1	A1640092	FLANGE, FILTER	*	1			
2	A1640058	VALVE, OIL COOLER	*	1			
3	A1640059	VALVE, OIL FILTER	*	1			
4	A1640093	FILTER, HYD.			1 3/8-12UNF-28	*	1
5	S361100013	WASHER			M10	*	2
6	S102101243	BOLT, HEX			M10x1.5x120L	*	2
7~8	A1640062	INLET PIPE SUB ASSY				*	1
7	A1630150	JOINT			PF1/2	*	1
8	A1640061	PIPE, INLET			Φ12	*	1
9	A1823245	SEAL, BONDED				*	8
10	A1630201	BOLT, UNION			PF3/8	*	3
11	A1823252	SEAL, BONDED				*	2
12	A1640033	PIPE, OUTLET			Φ15	*	1
13	A1823161	BOLT, EYE			PF1/2	*	1
14	S804016010	O-RING			S16	*	1
15	A1640063	UNION, HOSE			PF3/8	*	1
16	A1640088	PIPE, COOLER RETURN			Φ12	*	1
17	A5001357	CLAMP, PIPE A				*	1
18	S155063033	BOLT, HEX			M6X1.0X30	*	1
19	A1640079	HOSE, COOLER IN			PF3/8	*	1
20	A1640064	UNION, HOSE				*	2
21	S155082033	BOLT, HEX			M8x1.25x20L	*	8
22	A3180673	COOLER				*	1
23	A1640076	SUPPORT , COOLER				*	1
24~25	A1640089	COOLER INLET PIPE ASSY				*	1
24	A1640090	PIPE, COOLER INLET			Φ12	*	1
25	A1630101	ELBOW			PF3/8	*	1
26	A1640080	HOSE, COOLER OUT			PF3/8	*	1
27	A1630169	SLEEVE			Φ12	*	1
28	A1630170	NUT				*	1

# BRAKE

FIG. 7-1

G. 650



# BRAKE

A-NOT AVAILABLE / B-i28,i36

A-NOT AVAILABLE / B-i28,i36

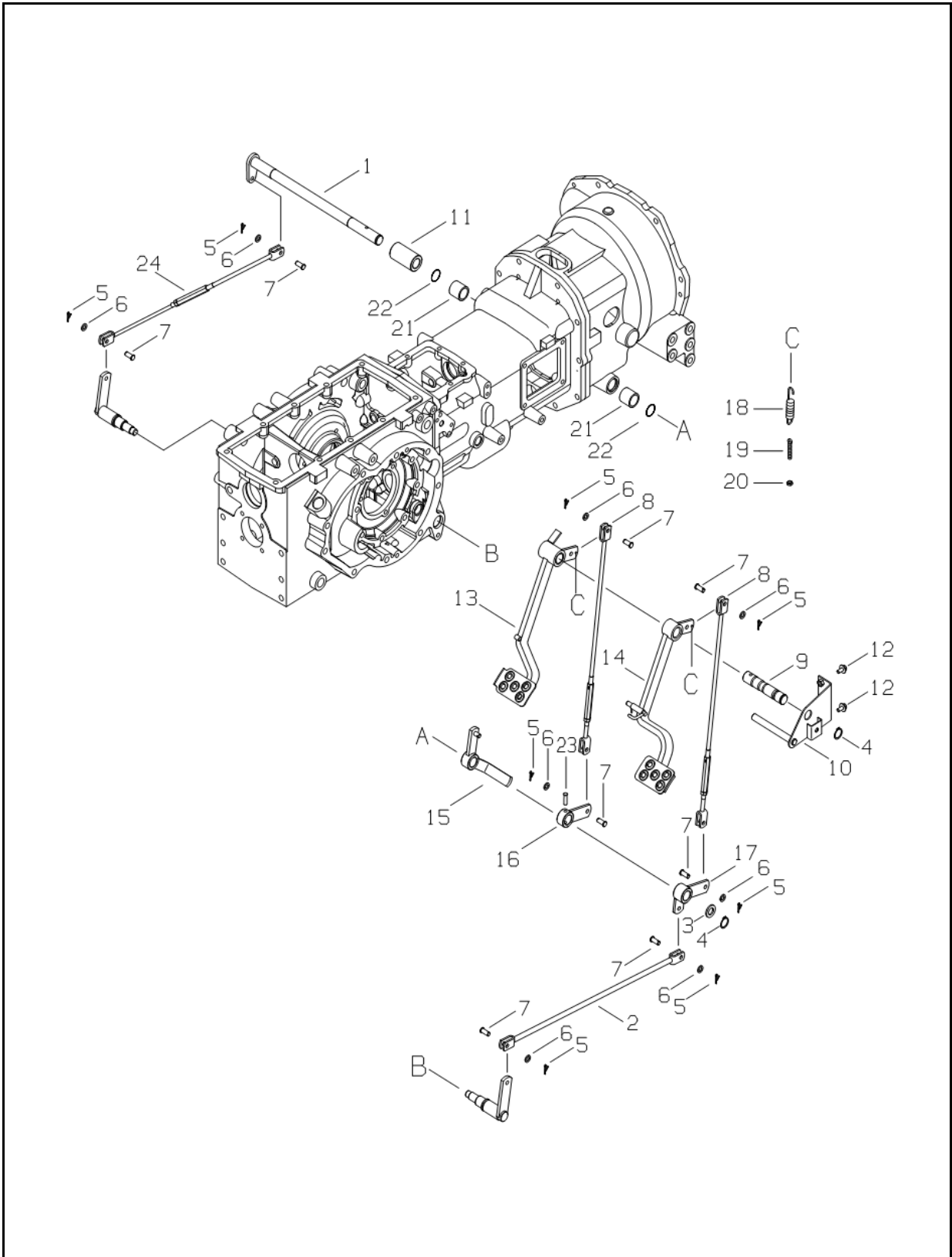
**FIG. 7-1**

NO.	PART NO.	PART NAME & DESCRIPTION	QTY			APP.NO	REM.
			A	B	C		
1~7	A1650071	BRAKE ASS'Y(RH)	1	1			
	A1650072	BRAKE ASS'Y(LH)	1	1			
1	3A1653010	SPRING	3	3			
2	3A1653007	BALL	8	8			
3	A1650076	PLATE, CAM(RH)	1	1			
	A1650077	PLATE, CAM(LH)	1	1			
4	A1650107	PLATE, PRESSURE	2	2			
5	A1653063	DISC, PAPER	2	2			
6	S810058001	RING, SNAP	2	2			
7	A1650078	BOSS, SPLINE	1	1			
8	A1650102	BUSHING, BRAKE LEVER	2	2			
9	A1650079	ARM, BRAKE INNER	2	2			
10	A0677815	BUSHING, DU	2	2			
11	S801025010	O-RING (P)	2	2			
12	A1650091	LOCK, PLATE	2	2			
13	S154102033	BOLT, HEX. W/WASHER	2	2			
14	A1650112	LEVER, BRAKE	2	2			

# BRAKE PEDAL

FIG. 7-2A

G. 670



# BRAKE PEDAL

A-NOT AVAILABLE / B-i28,i36

A-NOT AVAILABLE / B-i28,i36

**FIG. 7-2A**

**( MEC )**

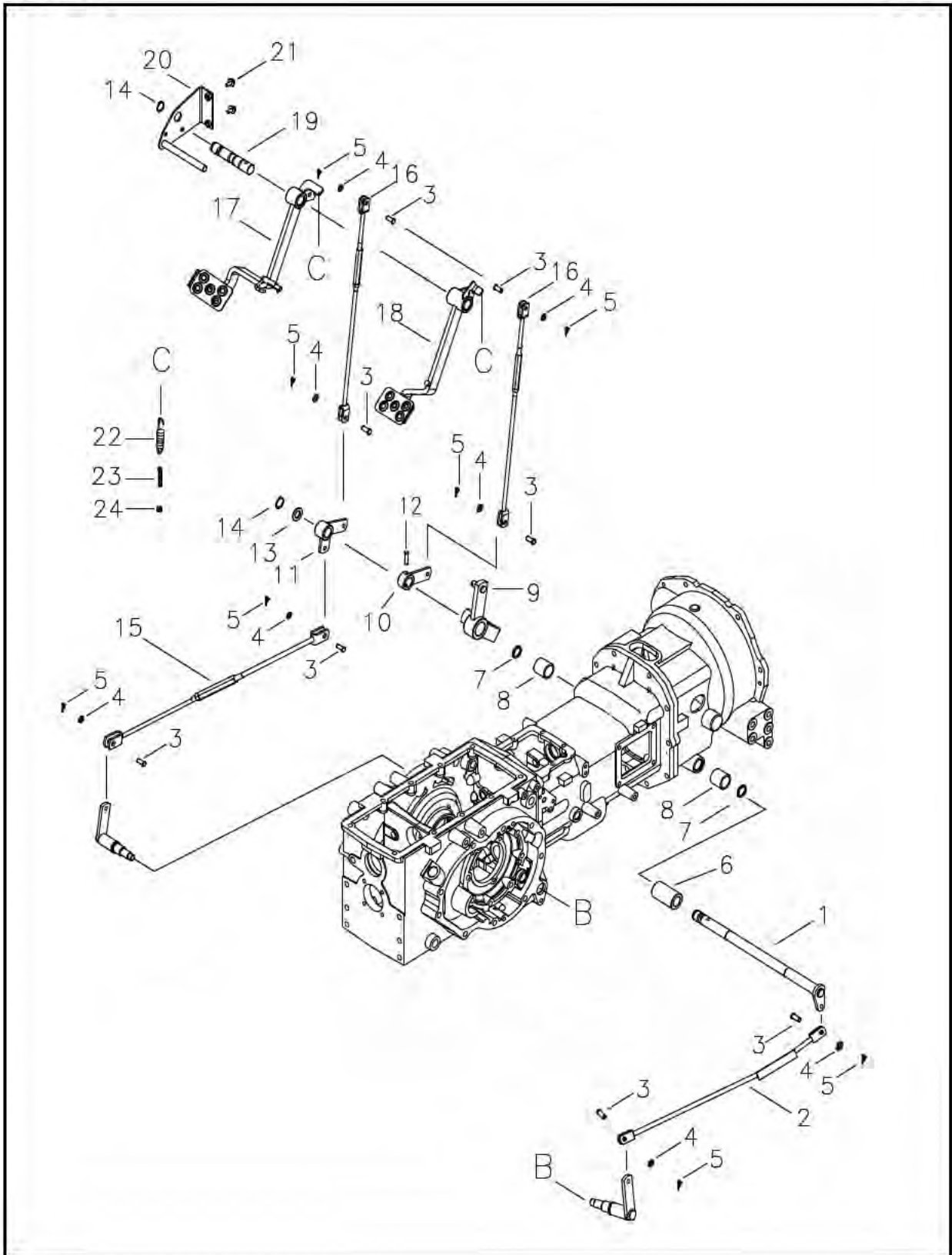
NO.	PART NO.	PART NAME & DESCRIPTION	QTY			APP.NO	REM.
			A	B	C		
1	A1670302	SHAFT, BRAKE PEDAL	1	1			
2	A1670407	BRAKE ROD	1	1			
3	S364240013	WASHER, PLN.	1	1			
4	S810025001	RING, SNAP	2	2			
5	S441252013	PIN, SPLIT	8	8			
6	S364100013	WASHER, PLN. S-RD.	8	8			
7	A1670118	PIN	8	8			
8	A1670307	BRAKE ROD ASSY	2	2			
9	A1670311	SHAFT, BRAKE PEDAL	1	1			
10	A1670310	STOPPER, BRAKE PEDAL	1	1			
11	A1670303	SPACER	1	1			
12	S159082033	BOLT, HEX.W/WASHER	2	2			
13	A1670362	PEDAL, BRAKE(LH)	1	1			
14	A1670361	PEDAL, BRAKE(RH)	1	1			
15	A1670306	ARM, PARKING BRAKE(STD)	1	1			
16	A1670305	ARM, BRAKE(LH)	1	1			
17	A1670304	ARM, BRAKE(RH)	1	1			
18	A1260112	SPRING	2	2			
19	A1260109	BOLT, HEX.	2	2			
20	A0610274	NUT, LOCK	2	2			
21	A1970203	BUSHING, DU	2	2			
22	S801025010	O-RING	2	2			
23	S446084012	PIN, SPRING	1	1			
24	A1670356	ROD, BRAKE ASSY	1	1			



# BRAKE PEDAL

FIG. 7-2B

G. 670



# BRAKE PEDAL

A-NOT AVAILABLE / B-i28,i36

A-NOT AVAILABLE / B-i28,i36

**FIG. 7-2B**

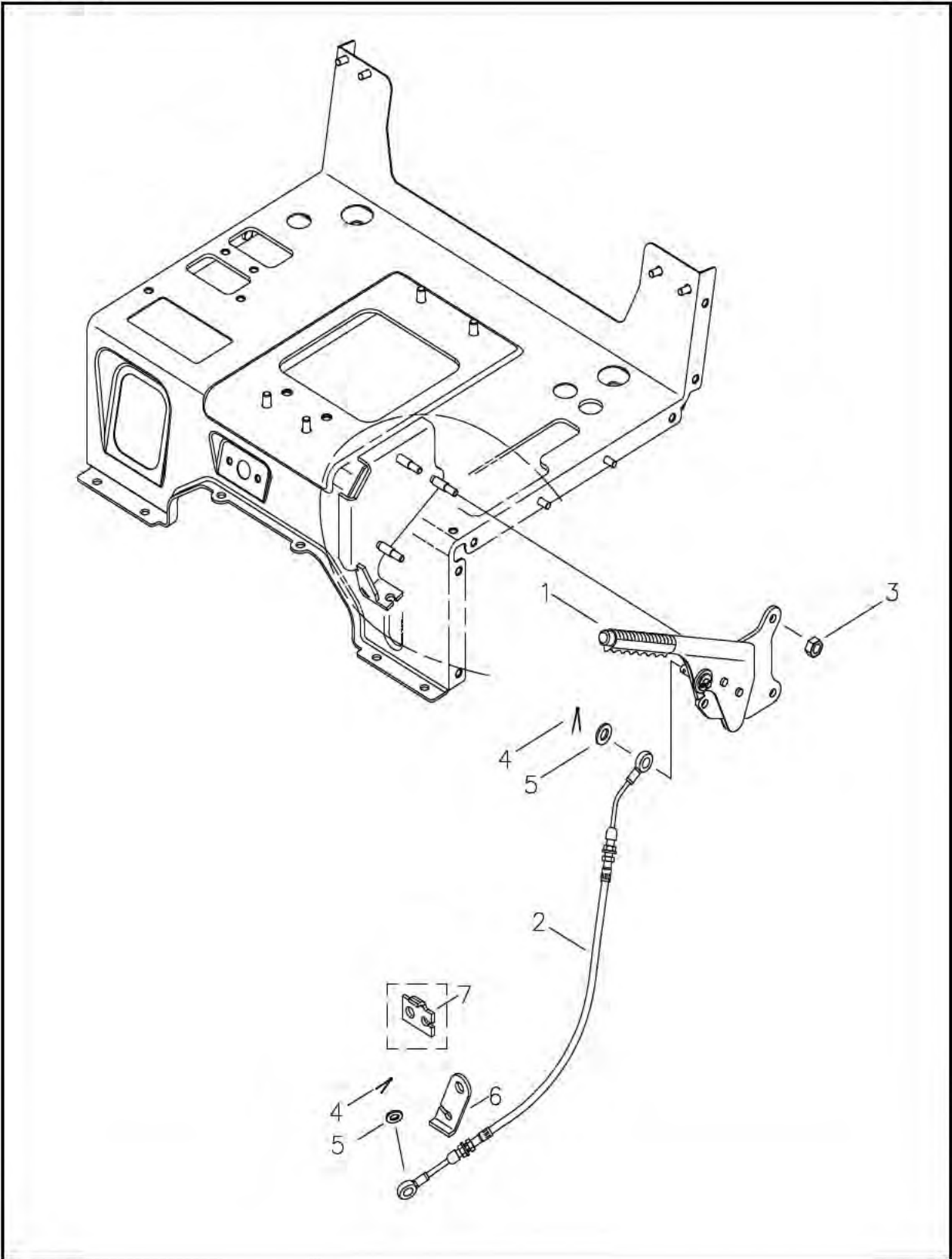
**( HST )**

NO.	PART NO.	PART NAME & DESCRIPTION	QTY			APP.NO	REM.
			A	B	C		
1	A1670302	SHAFT, BRAKE PEDAL	1	1			
2	A1670410	BRAKE ROD	1	1			
3	A1670118	PIN	8	8			
4	S364100013	WASHER, PLN. S-RD.	8	8			
5	S441252013	PIN, SPLIT	8	8			
6	A1670303	SPACER	1	1			
7	S801025010	O-RING	2	2			
8	A1970203	BUSHING, DU	2	2			
9	A1670351	ARM, PARKING BRAKE	1	1			
	A1670340	SPACER	1	1			EC
10	A1670305	ARM, BRAKE(LH)	1	1			
11	A1670320	ARM, BRAKE(RH)	1	1			
12	S446084012	PIN, SPRING	1	1			
13	S364240013	WASHER, PLN.	1	1			
14	S810025001	RING, SNAP	2	2			
15	A1670356	ROD, BRAKE	1	1			
16	A1670307	BRAKE ROD ASSY	2	2			
17	A1670360	PEDAL, BRAKE(LH)	1	1			
18	A1670363	PEDAL, BRAKE(RH)	1	1			
19	A1670311	SHAFT, BRAKE PEDAL	1	1			
20	A1260099	STOPPER, CLUTCH PEDAL	1	1			
21	S159082033	BOLT, HEX, W/WASHER	2	2			
22	A1260112	SPRING	2	2			
23	A1260109	BOLT, ADJUSTER	2	2			
24	A0610274	NUT, LOCK	2	2			

# PARKING BRAKE

FIG. 7-3A

G. 670



# PARKING BRAKE

A-NOT AVAILABLE / B-i28,i36

A-NOT AVAILABLE / B-i28,i36

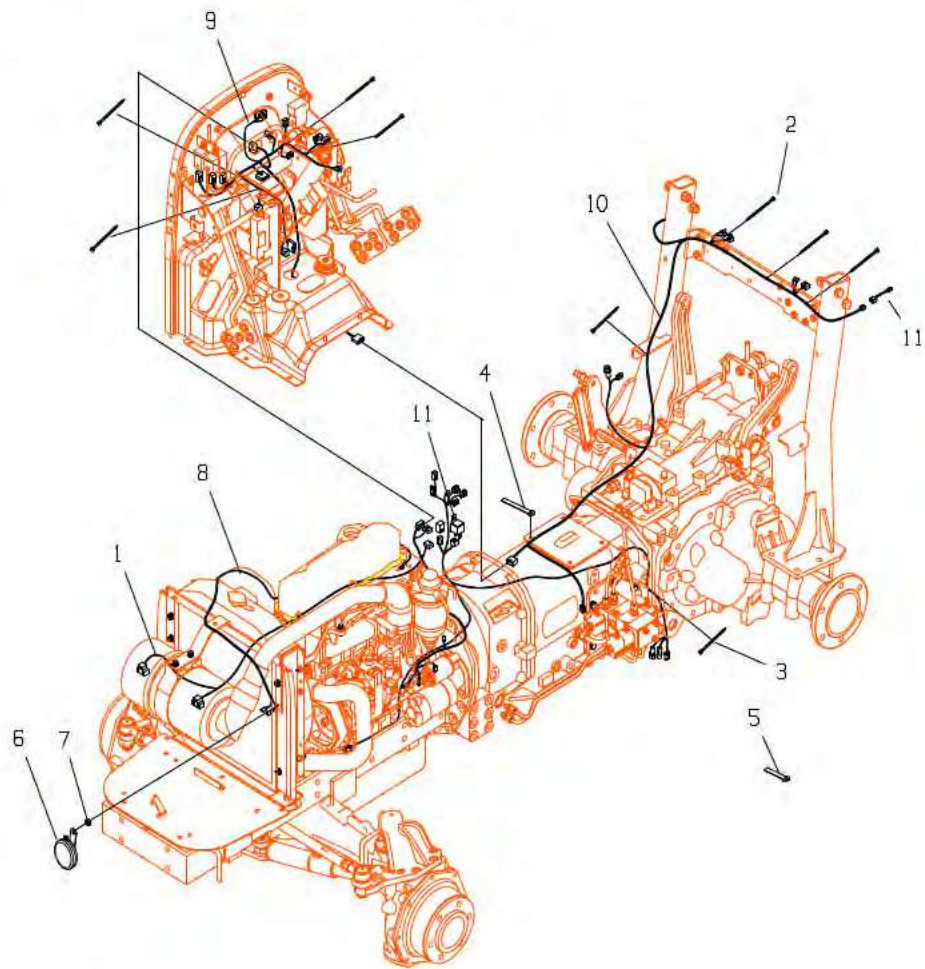
**FIG. 7-3A**

NO.	PART NO.	PART NAME & DESCRIPTION	QTY			APP.NO	REM.
			A	B	C		
1	A1670078	PARKING BRAKE ASSY	1	1			
2	A1670269	WIRE, PARKING BRAKE	1	1			
	A1670222	WIRE, PARKING BRAKE	1	1			HST
3	S345080013	NUT, FLANGE B-TY.	3	3			
4	S441252013	PIN, SPLIT	2	2			
5	S364100013	WASHER, PLN. S-RD.	2	2			
6	A1670390	PLATE, P/BRAKE WIRE	1	1			
7	A1670352	BRACKET, P/BRAKE WIRE	1	1			HST

# ELECTRICAL WIRING

FIG. 8-1A

G. 730



# ELECTRICAL WIRING

A-NOT AVAILABLE / B-i28,i36

A-NOT AVAILABLE / B-i28,i36

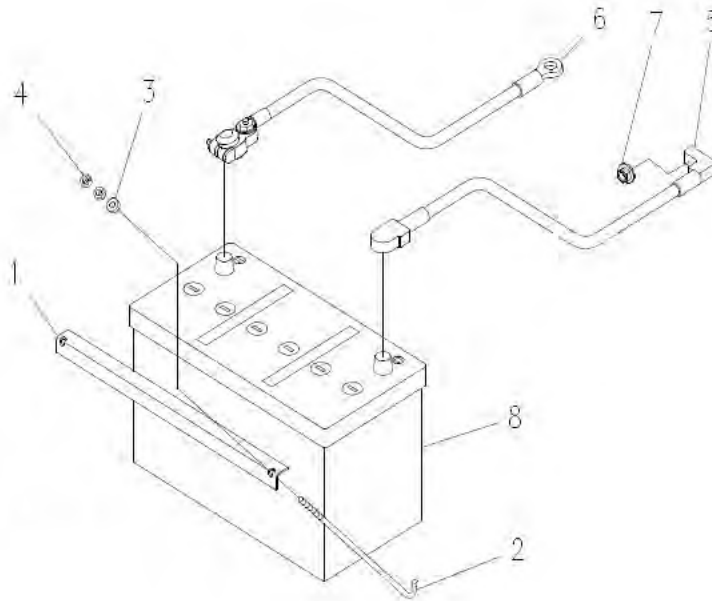
**FIG. 8-1A**

NO.	PART NO.	PART NAME & DESCRIPTION	QTY			APP.NO	REM.
			A	B	C		
1	A1730152	HARNESS, FRONT LIGHT	1	1			
2	A0640009	BAND, WIRE	5	5			
3	A0640028	BAND, WIRE	3	3			
4	A0640103	CLAMP	1	1			
5	A0640015	CLAMP	4	4			
6	A5002054	HORN	1	1			
7	S313100013	NUT, HEX	1	1			
8	A1730213	HARNESS, ENGINE	1	*			L3A
	A1730212	HARNESS, ENGINE	*	1			S4L
9	A1730210	HARNESS, MAIN	1	*			MEC
	A1730215	HARNESS, MAIN (HST)	*	1			ASAE
	A1730259	HARNESS, MAIN (HST)	1	1			EC
10	A1730214	HARNESS, REAR	1	*			MEC
	A1730216	HARNESS, REAR	*	1			HST
11	A1730220	WIRE, LAMP	2	2			EC

# BATTERY

FIG. 8-2

G. 740



# BATTERY

A-NOT AVAILABLE / B-i28,i36

A-NOT AVAILABLE / B-i28,i36

**FIG. 8-2**

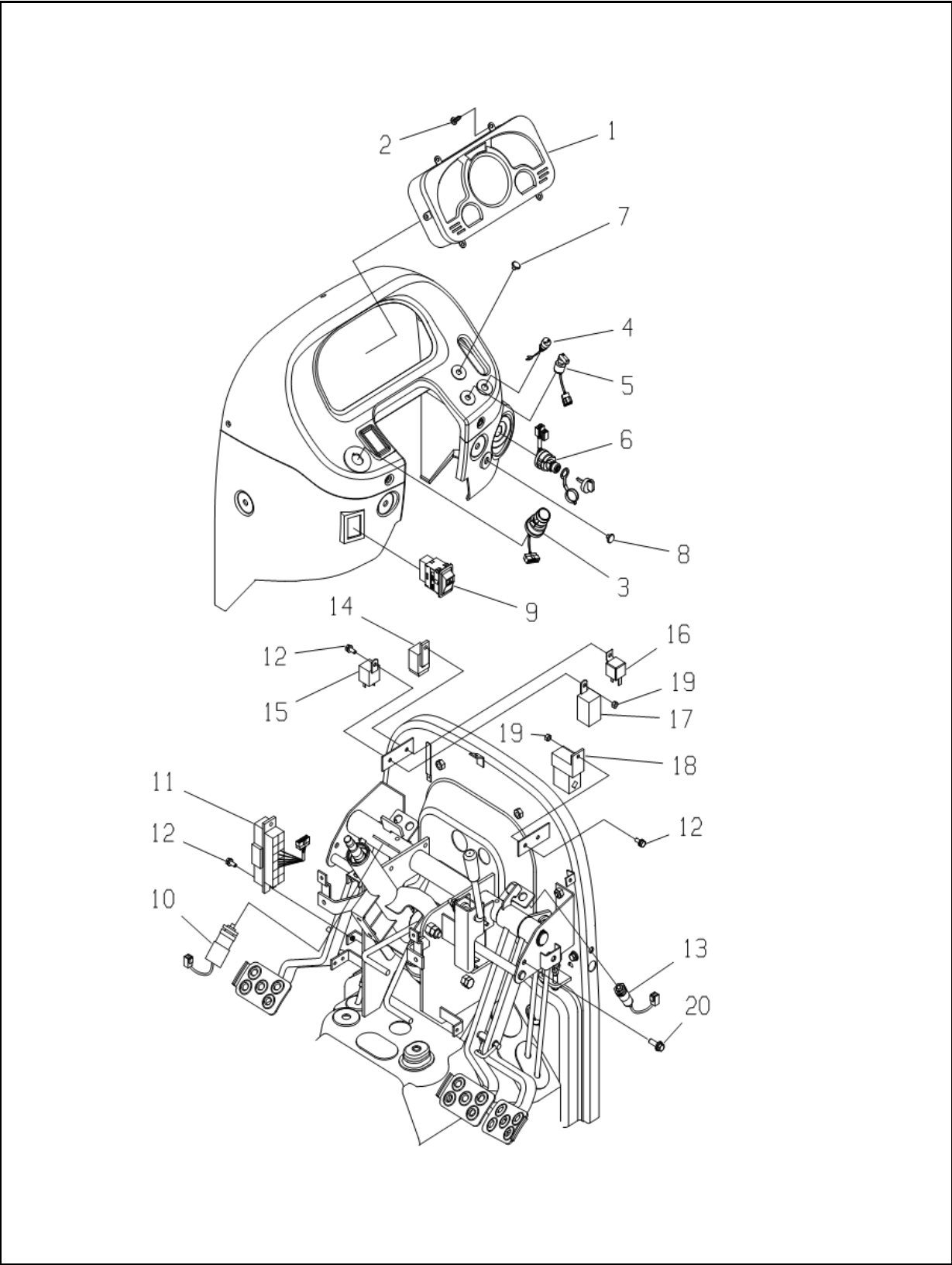
NO.	PART NO.	PART NAME & DESCRIPTION		QTY			APP.NO	REM.
				A	B	C		
1	A1740003	CLAMP, BATTERY		1	1			
2	A1741021	ROD, BATTERY CLAMP		2	2			
3	S363060013	WASHER, PLAIN	M6	2	2			
4	S305060013	NUT, HEX	M6x1.0P	4	4			
5	A1740020	CABLE, BATTERY (+) POS.		1	1			
6	A1740030	CABLE, BATTERY (-) NEG.		1	1			
7	S345080013	NUT, FLANGE B-TY.	M8x1.25P	1	1			
8	A1740002	BATTERY, MF	12V-80AH	1	1			
	A1740034	BATTERY, MF	12V-64AH	1	1			



# INSTRUMENT PANEL

FIG. 8-3A-1

G. 750



# INSTRUMENT PANEL

A-NOT AVAILABLE / B-i28,i36

A-NOT AVAILABLE / B-i28,i36

**FIG. 8-3A-1**

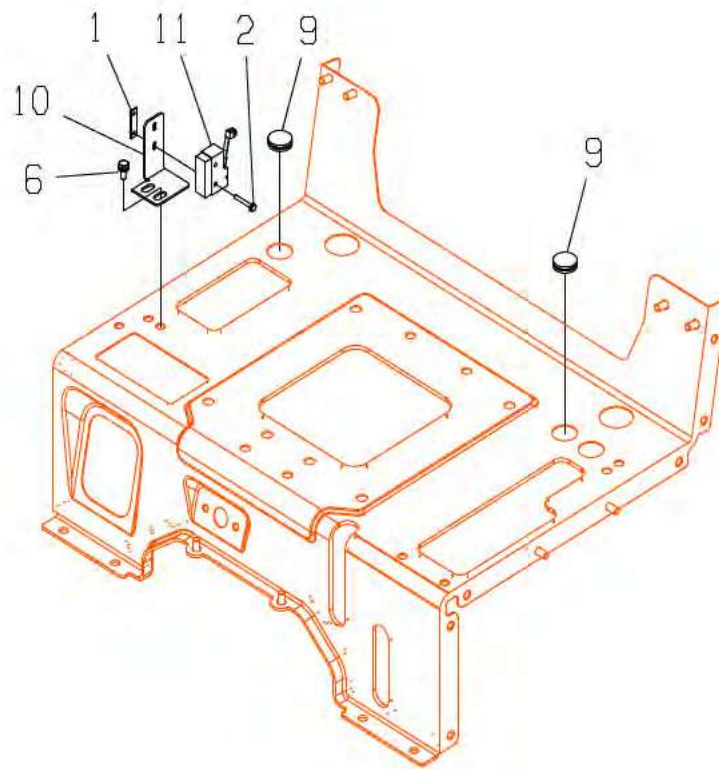
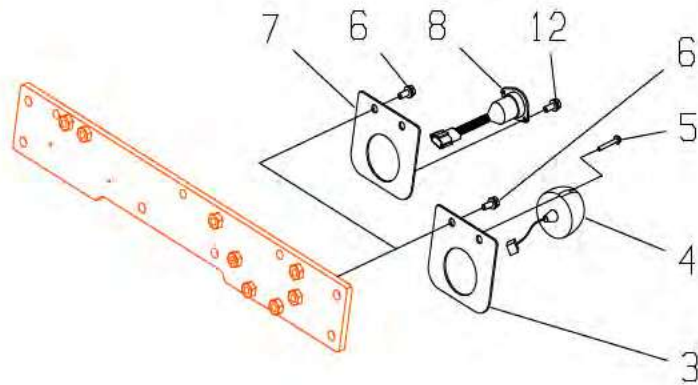
**( MEC )**

NO.	PART NO.	PART NAME & DESCRIPTION	QTY			APP.NO	REM.
			A	B	C		
1	A1750325	METER PANEL ASSY	1	*			
	A1750279	METER PANEL ASSY	*	1			
2	S237401611	SCREW, TP.CRS.TRUSS	6	6			
3	A1750281	SWITCH, COMBI	1	1			
4	A1750282	SWITCH, HORN	1	1			
5	A1750152	SWITCH, PTO SELLECTOR	1	1			
6	A1750150	KEY SWITCH ASSY	1	1			
7	A0710062	CAP	1	1			
8	A1750230	CAP, RUBBER	1	1			
9	A1750161	SWITCH, EMERGENCY	1	1			
10	A1750122	SWITCH, START/PTO	1	1			
11	A1750225	FUSE BOX ASSY	1	1			
12	S155061633	BOLT, HEX	5	5			
13	A0740010	SWITC, BRAKE	1	1			
14	Q1800018	RELAY, START	1	1			
15	Q1800024	RELAY	1	*			
16	Q1800023	RELAY, GLOW	1	1			
17	Q1800017	TIMER, GLOW	1	1			
18	A30G0005	RELAY	1	1			
	A1750326	FLASHER	1	1			EC
19	S305060013	NUT, HEX	3	3			
20	S155082533	BOLT, HEX	2	2			

# ELECTRIC SWITCH

FIG. 8-3A-2

G. 750



# ELECTRIC SWITCH

A-NOT AVAILABLE / B-i28,i36

A-NOT AVAILABLE / B-i28,i36

**FIG. 8-3A-2**

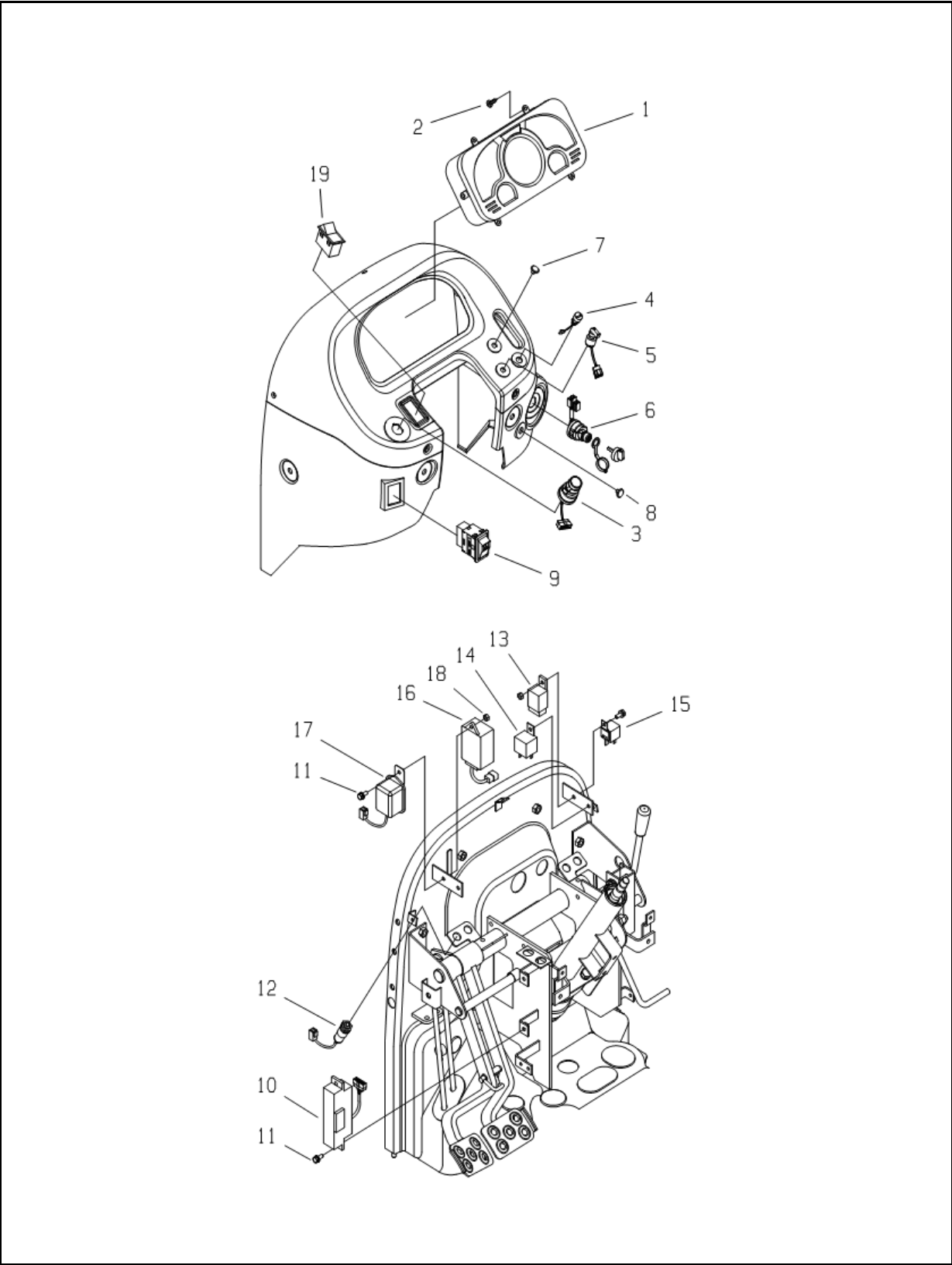
**( MEC )**

NO.	PART NO.	PART NAME & DESCRIPTION		QTY			APP.NO	REM.
				A	B	C		
1	A1750104	PLATE		1	1			
2	S227403011	SCREW, W/SPR.	M4x0.7x30L	2	2			
3	A1750288	BRACKET, 7-POLE		1	1			
4	A1730144	7-POLE CONNECTOR ASS'Y		1	1			
5	S226503511	SCREW	M5x0.8x35L	3	3			
6	S155082533	BOLT, HEX	M8x1.25x25L	4	4			
7	A1750289	BRACKET, 7-POLE		1	1			ASAE
8	A1750171	7-POLE CONNECTOR ASS'Y		1	1			ASAE
9	A1970243	CAP, RUBBER		2	2			
10	A1750297	BRACKET, PTO SWITCH		1	1			
11	A1750229	SWITCH, PTO LEVER		1	1			
12	S155081633	BOLT, HEX	M8x1.25x16L	2	2			ASAE

# INSTRUMENT PANEL

FIG. 8-3B-1

G. 750



# INSTRUMENT PANEL

A-NOT AVAILABLE / B-i28,i36

A-NOT AVAILABLE / B-i28,i36

**FIG. 8-3B-1**

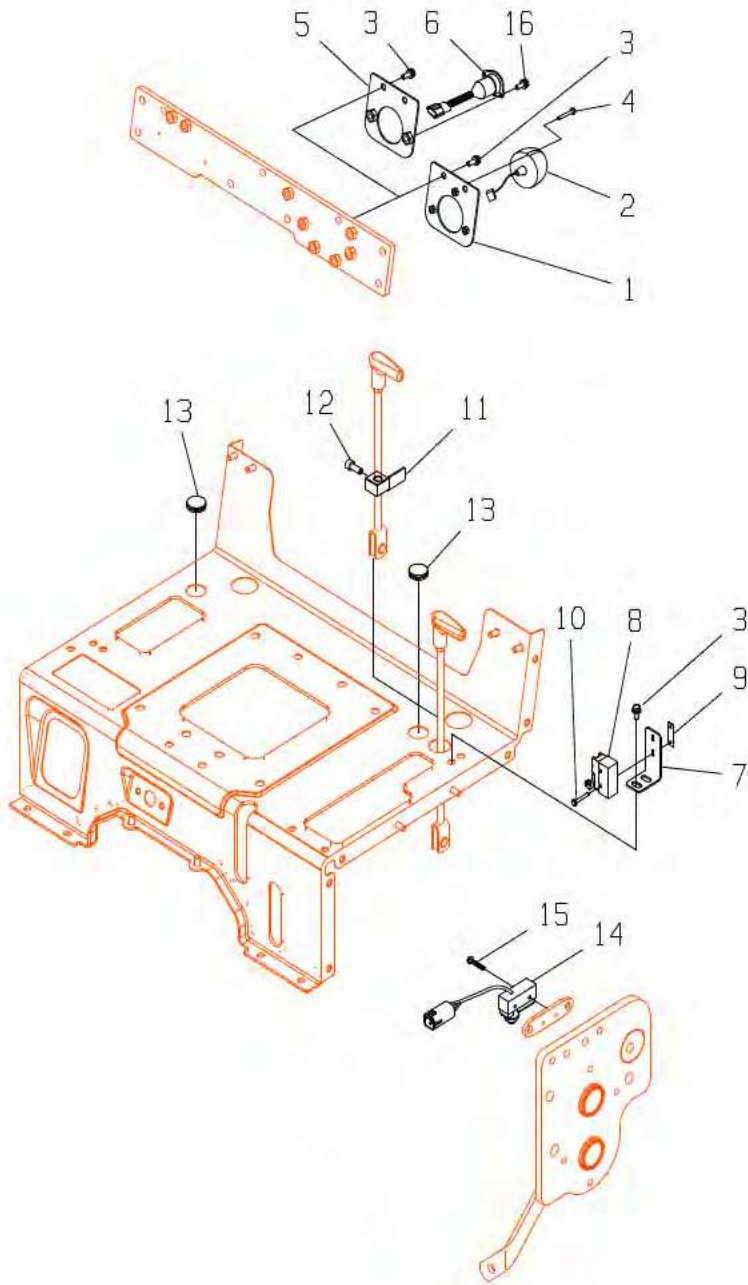
**( HST )**

NO.	PART NO.	PART NAME & DESCRIPTION	QTY			APP.NO	REM.
			A	B	C		
1	A1750325	METER PANEL ASSY	1	*			
	A1750279	METER PANEL ASSY	*	1			
2	S237401611	SCREW, TP.CRS.TRUSS	6	6			
3	A1750281	SWITCH, COMBI	1	1			
4	A1750282	SWITCH, HORN	1	1			
5	A1750152	SWITCH, PTO SELLECTOR	1	1			
6	A1750150	KEY SWITCH ASSY	1	1			
7	A0710062	CAP	1	1			
8	A1750230	CAP, RUBBER	1	1			
9	A1750161	SWITCH, EMERGENCY	1	1			
10	A1750225	FUSE BOX ASSY	1	1			
11	S155061633	BOLT, HEX	5	5			
12	A0740010	SWITC, BRAKE	2	2			
13	Q1800018	RELAY, START	1	1			
14	Q1800024	RELAY	1	*			
15	Q1800023	RELAY, GLOW	1	1			
16	A1750283	RELAY, HST	1	1			
17	A1750284	FLASHER	1	1			
	A1750251	FLASHER	1	1			EC
18	S305060013	NUT, HEX	3	3			
19	A1750285	SWITCH, CRUISE	1	1			

# ELECTRIC SWITCH

FIG. 8-3B-2

G. 750



# ELECTRIC SWITCH

A-NOT AVAILABLE / B-i28,i36

A-NOT AVAILABLE / B-i28,i36

**FIG. 8-3B-2**

**( HST )**

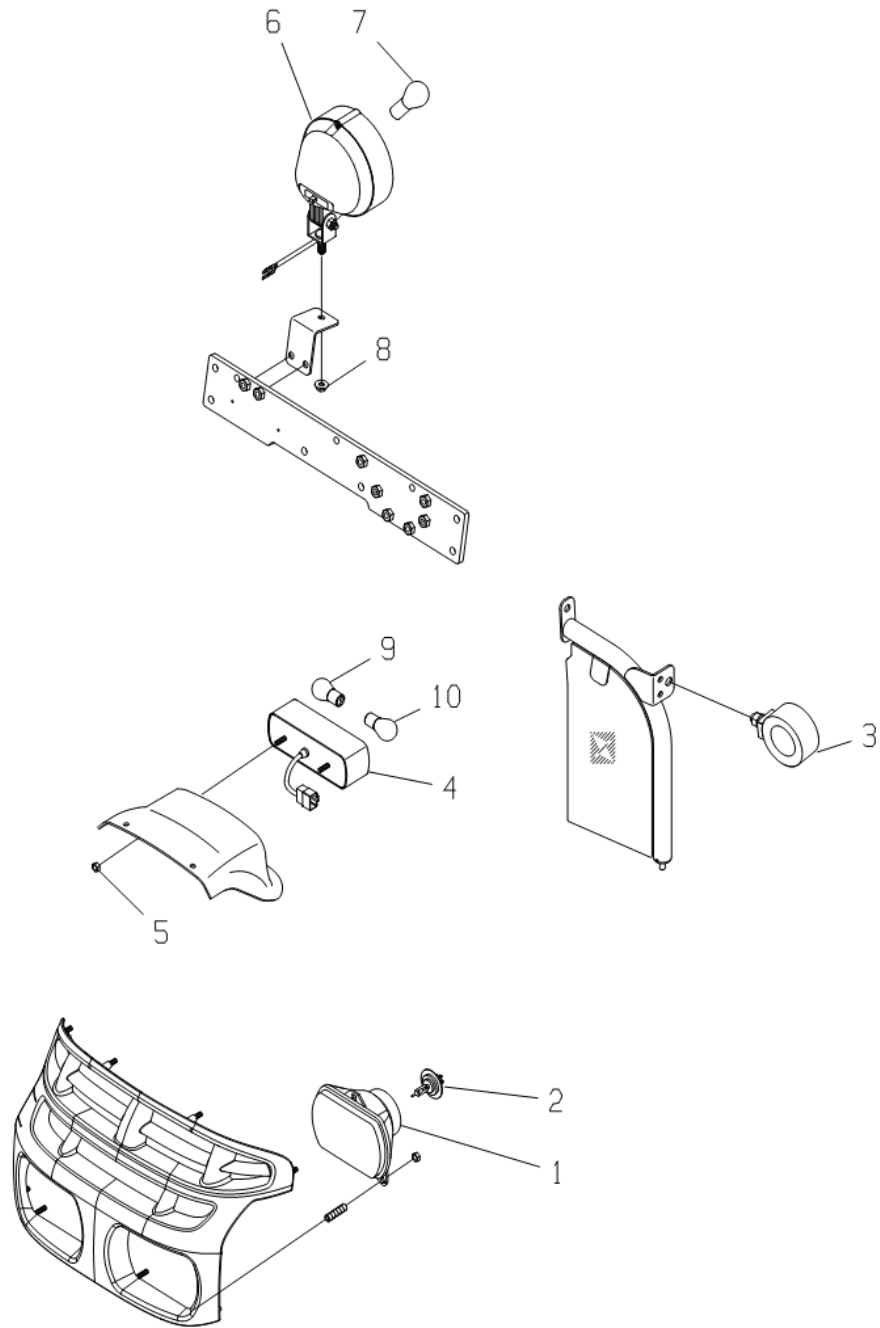
NO.	PART NO.	PART NAME & DESCRIPTION	QTY			APP.NO	REM.
			A	B	C		
1	A1750288	BRACKET, 7-POLE	1	1			
2	A1730225	7-POLE CONNECTOR ASS'Y	1	1			
3	S155082533	BOLT, HEX					
4	S226503511	SCREW					
5	A1750289	BRACKET, 7-POLE	1	1			ASAE
6	A1750171	7-POLE CONNECTOR ASS'Y	1	1			ASAE
7	A1750287	BRACKET, MID PTO SW.	1	1			M/PTO
8	A1750300	SWITCH, MICRO	1	1			M/PTO
9	A1750104	PLATE	1	1			M/PTO
10	S227403011	SCREW, W/SPR.	2	2			M/PTO
11	A1750286	BRACKET, CONTACT SW.	1	1			M/PTO
12	S202081211	SCREW, SET. SOC.	1	1			M/PTO
13	A1970243	CAP, RUBBER	1	1			
14	A1750227	SWITCH, NEUTRAL	1	1			
15	S227402511	SCREW, W/SPR.	2	2			
16	S155081633	BOLT, HEX	2	2			ASAE



# LAMP

FIG. 8-4A

G. 760



# LAMP

A-NOT AVAILABLE / B-i28,i36

A-NOT AVAILABLE / B-i28,i36

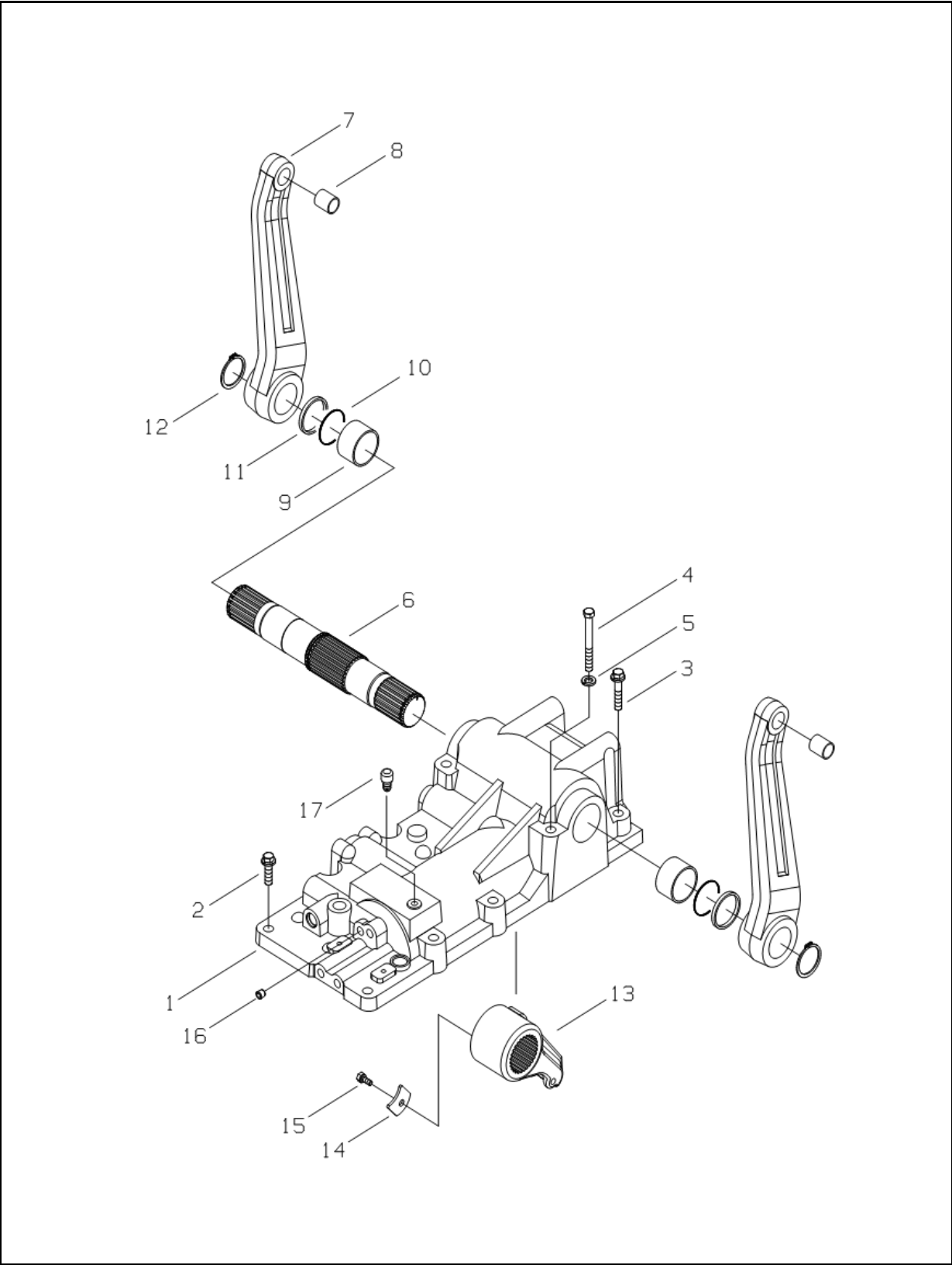
**FIG. 8-4A**

NO.	PART NO.	PART NAME & DESCRIPTION		QTY			APP.NO	REM.
				A	B	C		
1	A1760044	HEAD LAMP		2	2			
2	A1760048	BULB	12V, 40/45W	2	2			
3	A1760068	LAMP, TURN		2	2			
4	A1760026	COMBI LAMP ASSY (RH)		1	1			
	A1760027	COMBI LAMP ASSY (LH)		1	1			
5	S305060013	NUT, HEX	M6x1.0P	4	4			
6	A1760028	LAMP, WORKING		1	1			
7	A1760043	BULB	12V/23W	1	1			
8	S313080013	NUT, HEX	M8x1.25P	1	1			
9	A1760042	BULB	12V, 8W	2	2			
10	A1760016	BULB	12V, 21/5W	2	2			

# HYDRAULIC HOUSING

FIG. 9-1B

G. 820



# HYDRAULIC HOUSING

A-NOT AVAILABLE / B-i28,i36

A-NOT AVAILABLE / B-i28,i36

**FIG. 9-1B**

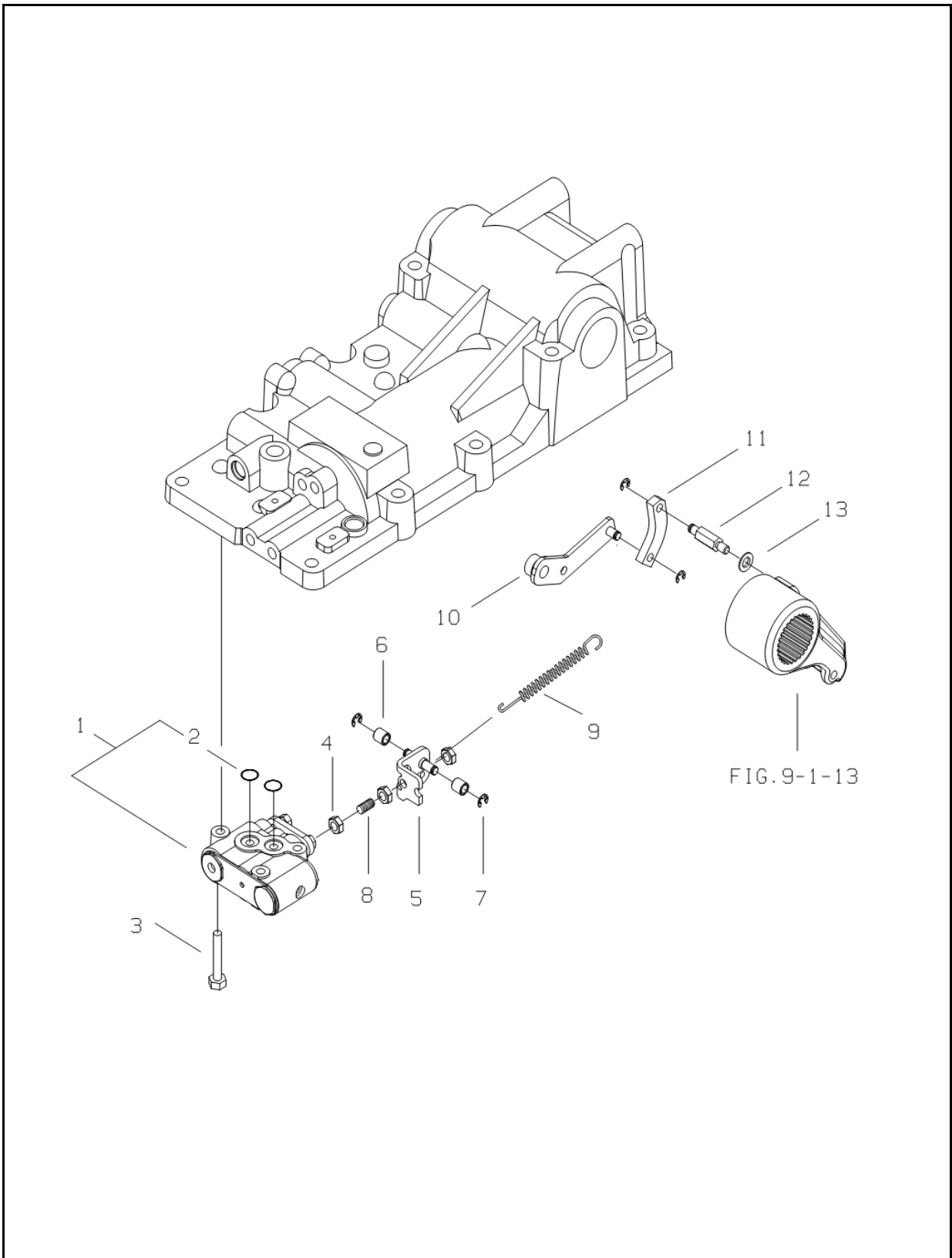
**( W/DRAFT )**

NO.	PART NO.	PART NAME & DESCRIPTION	QTY			APP.NO	REM.
			A	B	C		
1	A1820055	HOUSING, HYD.	1	1			
2	S153124033	BOLT, HEX. M12X1.75X40	4	4			
3	S153126033	BOLT, HEX. M12X1.75X60	4	4			
4	S102121143	BOLT, HEX. M12X1.75X110	2	2			
5	S361120013	WASHER, SPRING Φ21.5xΦ12.2x3t	2	2			
6	A1821038	SHAFT, HYD. LIFT	1	1			
7	A1821040	ARM, LIFT	2	2			
8	3A1821007	BUSHING, DU	2	2			
9	3A1821005	BUSHING, DU	2	2			
10	S802045010	O-RING D45	2	2			
11	A1821041	COLLAR	2	2			
12	S810042001	RING, SNAP(S) D42	2	2			
13	A1821051	ARM, POWER	1	1			
14	A1826094	PLATE, LOCK	1	1			
15	S153081633	BOLT, HEX. M8X1.25X16	1	1			
16	A0610168	PLUG, TAPER PT1/4	1	1			
17	A1250049	PLUG, AIR VENT	1	1			

# LIFT CONTROL VALVE & LINK

FIG. 9-2B

G. 822

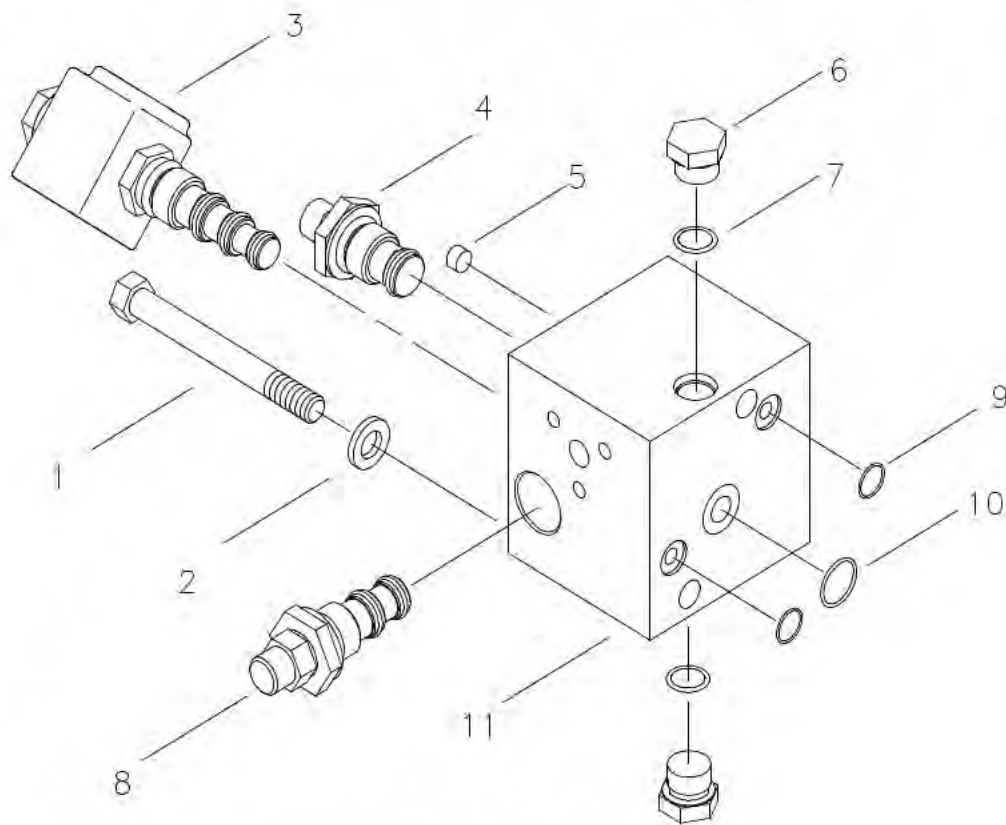




# TM CONTROL VALVE

FIG. 9-3

G. 822



# TM CONTROL VALVE

A-NOT AVAILABLE / B-i28,i36

A-NOT AVAILABLE / B-i28,i36

**FIG. 9-3 PT**

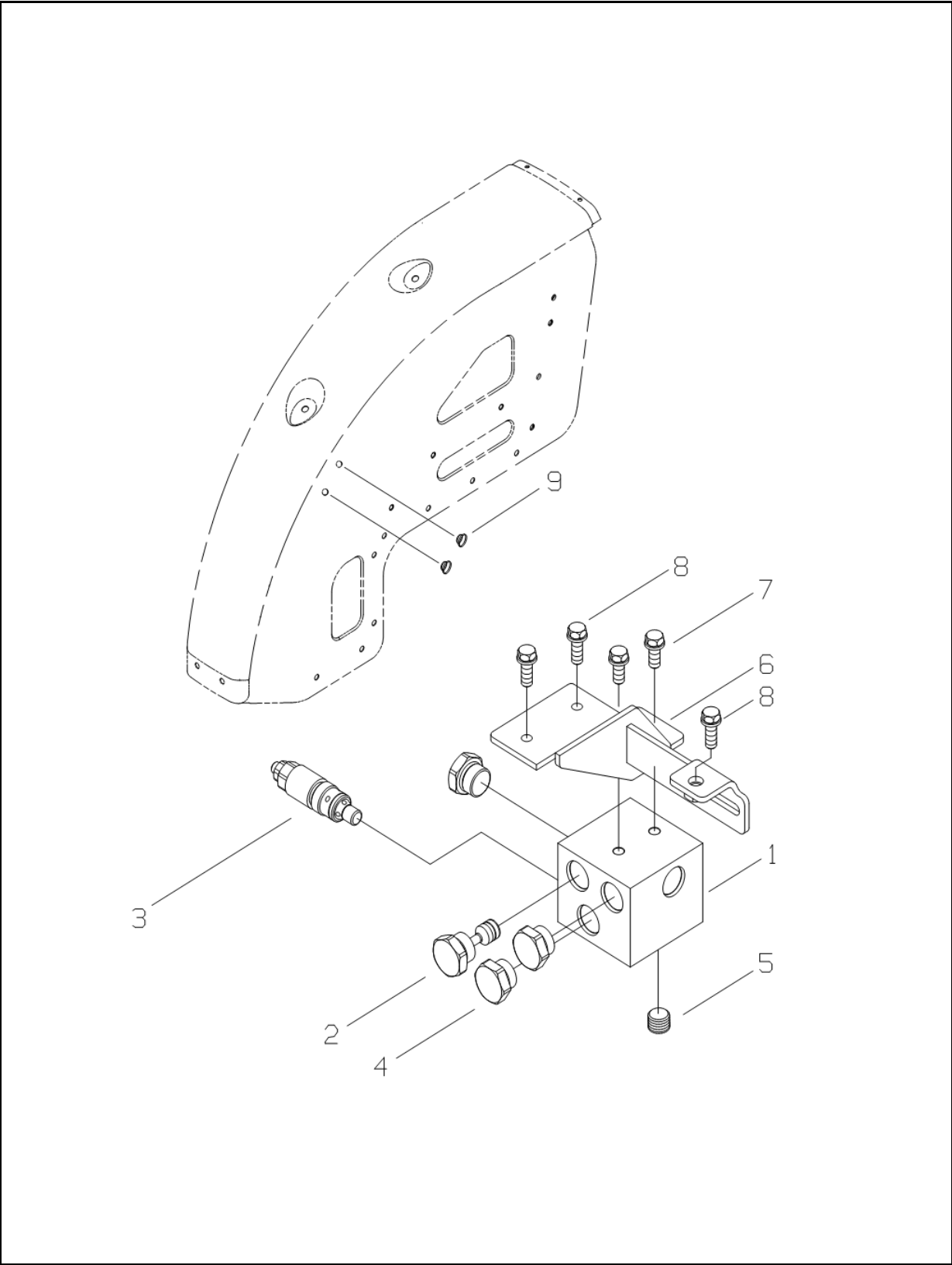
NO.	PART NO.	PART NAME & DESCRIPTION		QTY			APP.NO	REM.
				A	B	C		
1	S107109043	BOLT, HEX	M10×1.25×90	2	2			
2	S361100013	WASHER, SPRING	φ18.4×φ10.2×2.5t	2	2			
3~11	A1822089	IND . PTO VALVE ASSY		1	1			
3	A1822091	VALVE, SOLENOID		1	1			
4	A1822105	VALVE, SEQUENCE		1	1			
5	A1822095	ORIFICE	φ1.3	1	1			
6	A1822094	PLUG	PF1/4	2	2			
7	S801011010	O-RING	D10.8x2.4	2	2			
8	A1822093	REDUCING VALVE		1	1			
9	S801010011	O-RING	D9.8x2.4	2	2			
10	S801018010	O-RING	D17.8x2.4	1	1			
11	A1822090	BODY, PTO VALVE		1	1			



# FRONT OUTLET & LOADER VALVE

FIG. 9-4A

G. 822



# FRONT OUTLET & LOADER VALVE

A-NOT AVAILABLE / B-i28,i36

A-NOT AVAILABLE / B-i28,i36

**FIG. 9-4A**

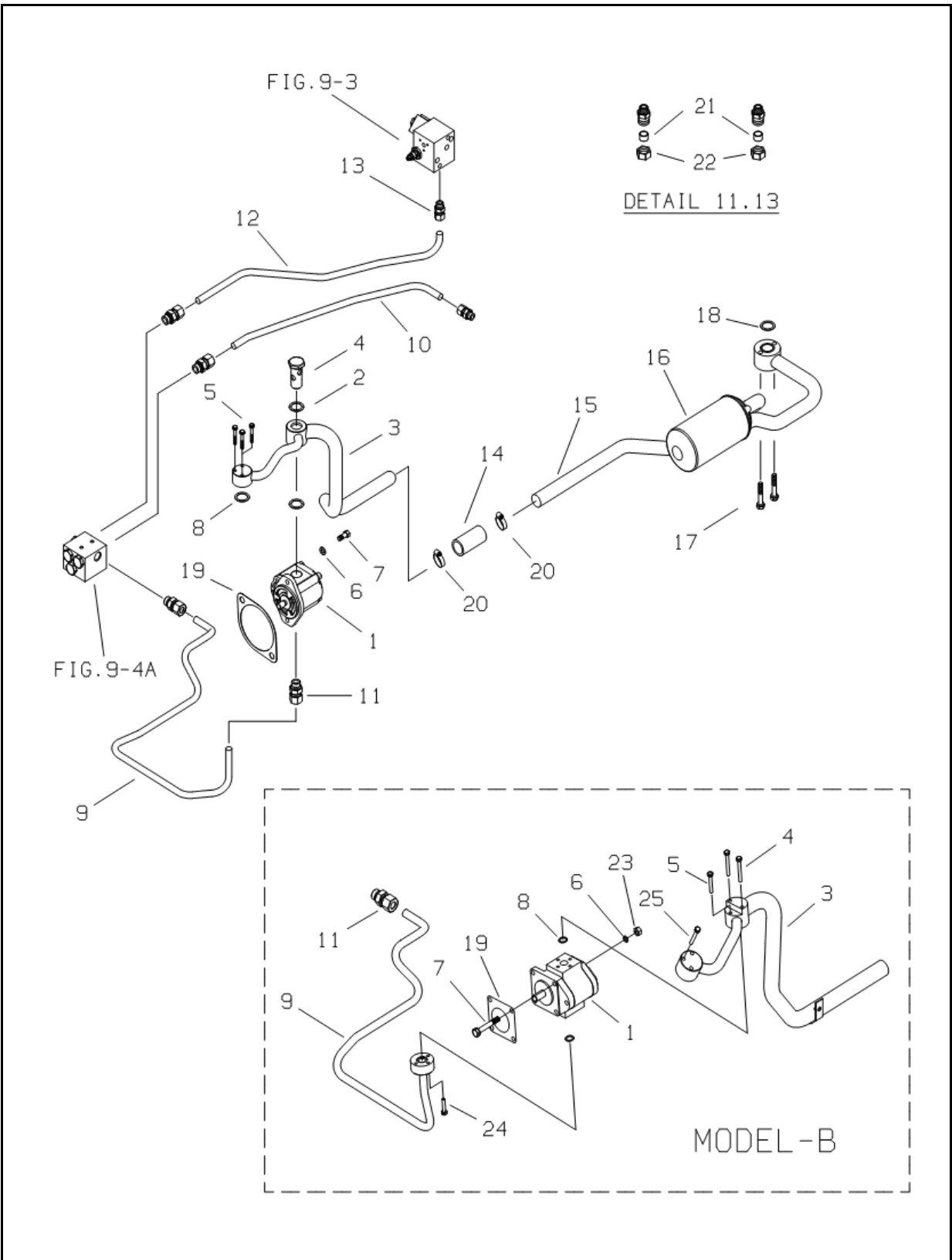
**( F/ OUTLET VALVE )**

NO.	PART NO.	PART NAME & DESCRIPTION	QTY			APP.NO	REM.
			A	B	C		
1~5	A1822127	FRONT OUTLET VALVE ASSY	1	1			
1	A1822128	BLOCK, F/OUTLET VALVE	1	1			
2	A1822131	PLUG, CARRY OVER	1	1			
3	A1822077	VALVE, RELIEF	1	1			
4	A5001244	PLUG	3	3			
5	A0610168	PLUG	1	1			
6	A1822186	BRACKET, F/OUTLET VALVE	1	1			
7	S153082033	BOLT, HEX.			M8X1.25X20	2	2
8	S153082533	BOLT, HEX.			M8X1.25X25	3	3
9	A0610083	PLUG	2	2			

# HYDRAULIC LINES

FIG. 9-5A

G. 823



# HYDRAULIC LINES

A-NOT AVAILABLE / B-i28,i36

A-NOT AVAILABLE / B-i28,i36

**FIG. 9-5A**

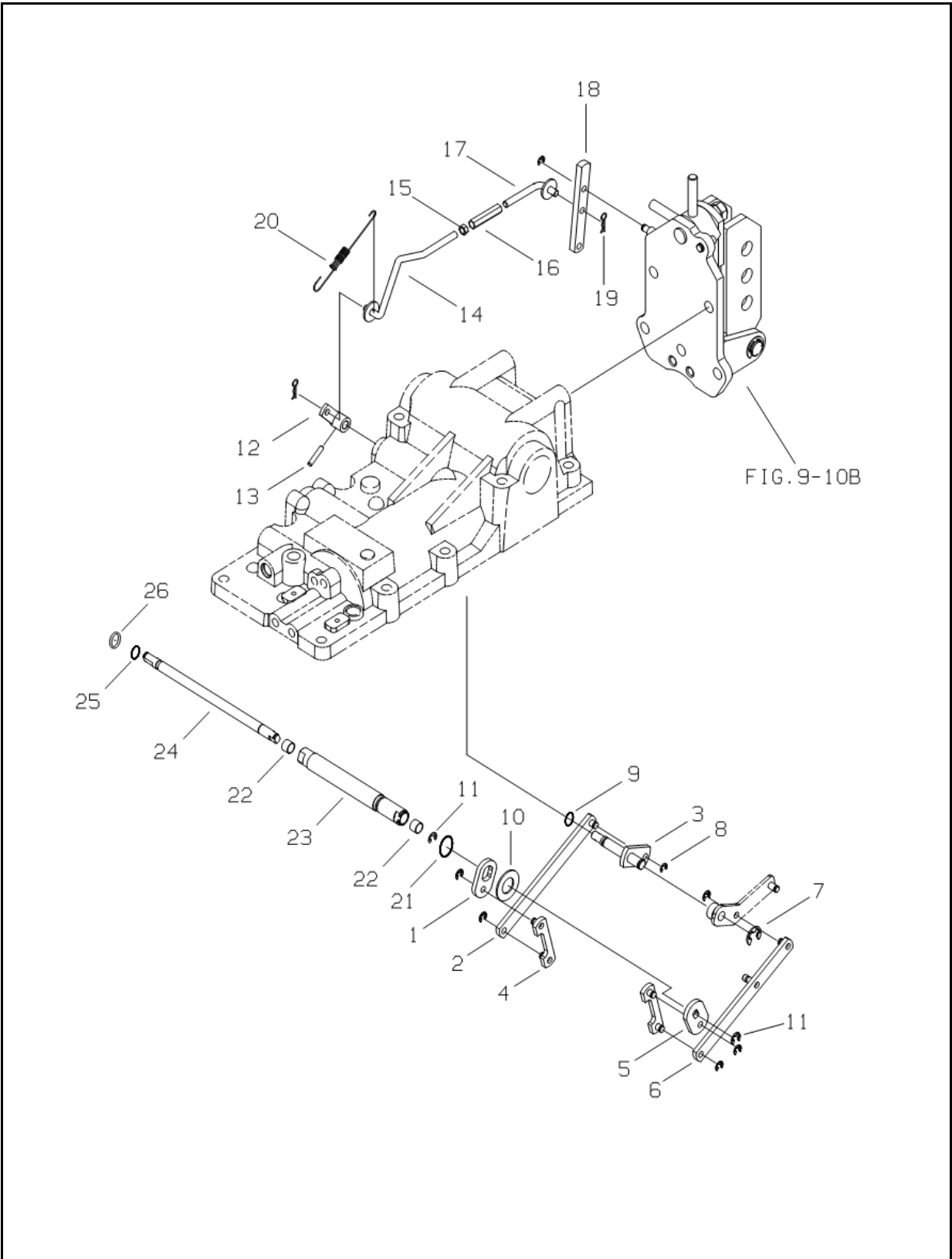
**( F/OUTLET )**

NO.	PART NO.	PART NAME & DESCRIPTION	QTY			APP.NO	REM.
			A	B	C		
1	A1823433	PUMP, MAIN	1	*			
	A1823279	PUMP. HYDRAULIC	*	1			
2	A1823168	WASHER, COPPER	2	*			
3	A1823624	PIPE, FRONT SUCTION	1	*			
	A1823635	PIPE, FRONT SUCTION	*	1			
4	3A1823003	BOLT, UNION	1	*			
	S153065033	BOLT, HEX. M6X1.0X50	*	2			
5	S153064033	BOLT, HEX. M6X1.0X40	3	1			
6	S361100013	WASHER, SPRING Φ18.4xΦ10.2x2.5t	2	*			
	S361080013	WASHER, SPR. 1-TY Φ15.4xΦ8.2x2t	*	4			
7	S107102543	BOLT, HEX. M10X1.5X25	2	*			
	A1970325	BOLT, HEX. M8X1.25X150	*	2			
8	S801018010	O-RING D18	1	3			
9,11	A1823625	F/PRESSURE PIPE ASSY	1	*			
	A1823442	F/PRESSURE PIPE ASSY	*	1			
9	A1823626	PIPE, FRONT PRESSURE	1	*			
	A1823443	PIPE, F/PRESSURE	*	1			
10,11	A1823577	V/V DRAIN PIPE ASSY	1	1			
10	A1823578	PIPE, V/V DRAIN	1	1			
11~13	A1823554	M/PRESSURE PIPE ASSY	1	1			
11	A1823144	JOINT BOM15-04G	5	1			
12	A1823555	PIPE, MIDDLE PRESSURE	1	1			
13	A1823189	JOINT BOM15-03G	1	1			
14	A1823059	HOSE, SUCTION PIPE	1	1			
15	A1823631	PIPE, REAR SUCTION	1	1			
16	A1823315	FILTER, SUCTION	1	1			
17	S154106033	BOLT, HEX. M10X1.5X60	2	2			
18	S804030010	O-RING D30	1	1			
19	A1823103	PACKING, PUMP	1	*			
	3A1823010	PACKING, HYD. PUMP	*	1			
20	A1970201G	CLAMP, HOSE 27-50	2	2			
21	A1823033	SLEEVE Φ15	1	1			
22	A1823034	NUT, HEX	1	1			
23	S313080013	NUT, HEX. S. 2-TY. M8X1.5	*	4			
24	S153063033	BOLT. HEX. M6X1.0X30	*	3			
25	S153064533	BOLT, HEX. M6X1.0X45	*	3			

# HYDRAULIC LINKAGE

FIG. 9-6B

G. 824



# HYDRAULIC LINKAGE

A-NOT AVAILABLE / B-i28,i36

A-NOT AVAILABLE / B-i28,i36

**FIG. 9-6B**

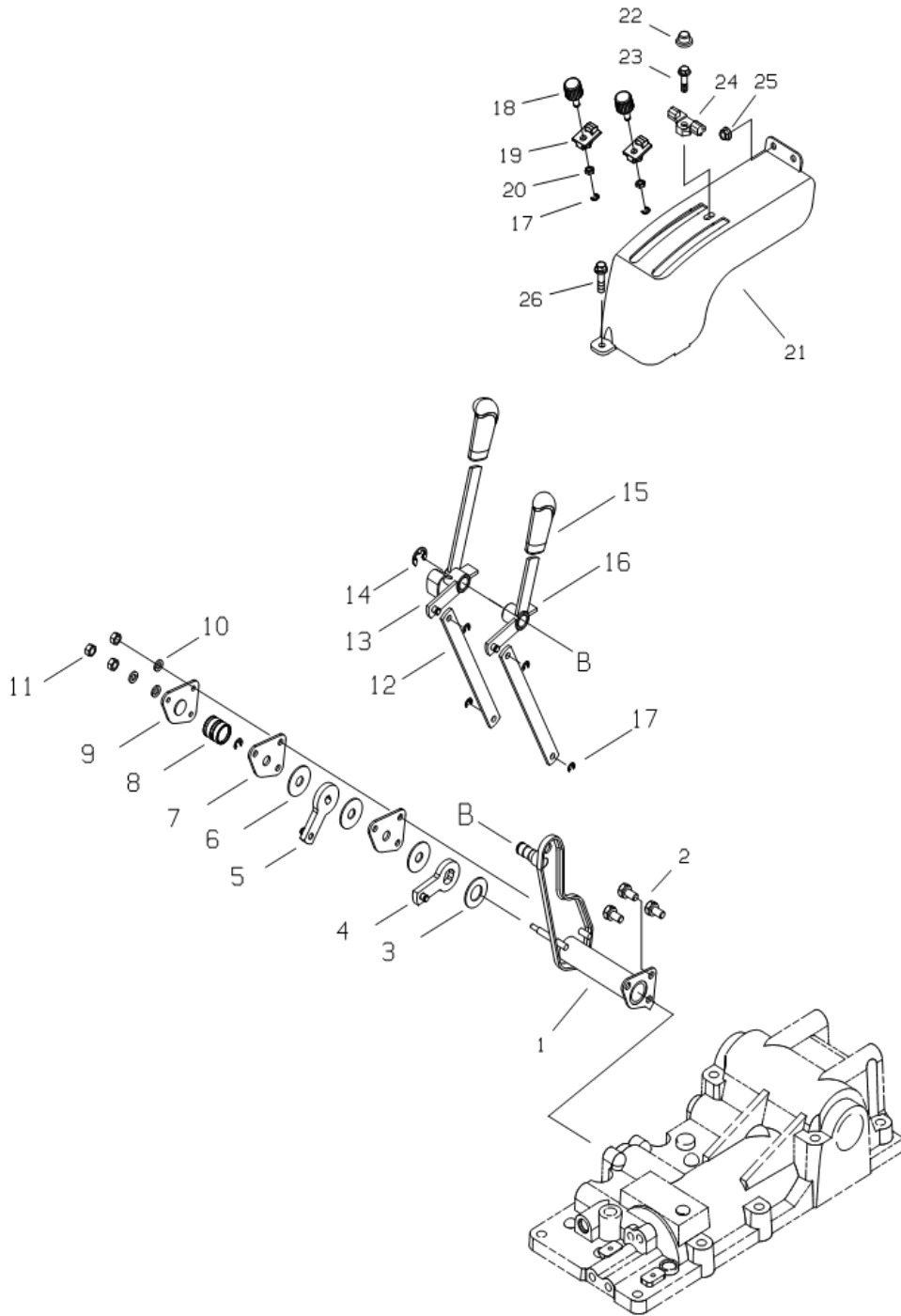
**( W/DRAFT )**

NO.	PART NO.	PART NAME & DESCRIPTION	QTY			APP.NO	REM.
			A	B	C		
1	A1824053	PLATE, DRAFT	1	1			
2	A1824042	LINK, DRAFT	1	1			
3	A1824047	SHAFT, DRAFT CONTROL	1	1			
4	A1824043	LINK(E)	2	2			
5	A1823054	PLATE, POSITION	1	1			
6	A1824041	LINK, POSITION	1	1			
7	S814009003	RING, SNAP(E)	D9	1	1		
8	S814006003	RING, SNAP(E)	D6	7	7		
9	S801009010	O-RING	D9	1	1		
10	A1824057	RING, SNAP(S)		1	1		
11	S810012001	RING, SNAP	D12	2	2		
12	A1824051	ARM		1	1		
13	S446042012	PIN, SPRING	Φ4X20	1	1		
14~19	A1824048	DRAFT LINK ASSY		1	1		
14	A1824049	ROD(A)		1	1		
15	S313080043	NUT, HEX.	M8X1.25	1	1		
16	3A1824014	JOINT		1	1		
17	A1824050	ROD(B)		1	1		
18	3A1824011	LINK, PAC		1	1		
19	S443080013	PIN, SNAPE A-TYPE	M8X1.25	2	2		
20	A1824094	SPRING		1	1		
21	S801016010	O-RING	D16	1	1		
22	A0676910	BUSHING, DU		2	2		
23	A1824082	SHAFT, DRAFT		1	1		
24	A1824045	SHAFT, POSITION		1	1		
25	S801010011	O-RING	D10	1	1		
26	A1824056	RING, BACKUP		1	1		

# HYDRAULIC CONTROL LEVER

FIG. 9-7B

G. 825



# HYDRAULIC CONTROL LEVER

A-NOT AVAILABLE / B-i28,i36

A-NOT AVAILABLE / B-i28,i36

**FIG. 9-7B**

**( W/ DRAFT )**

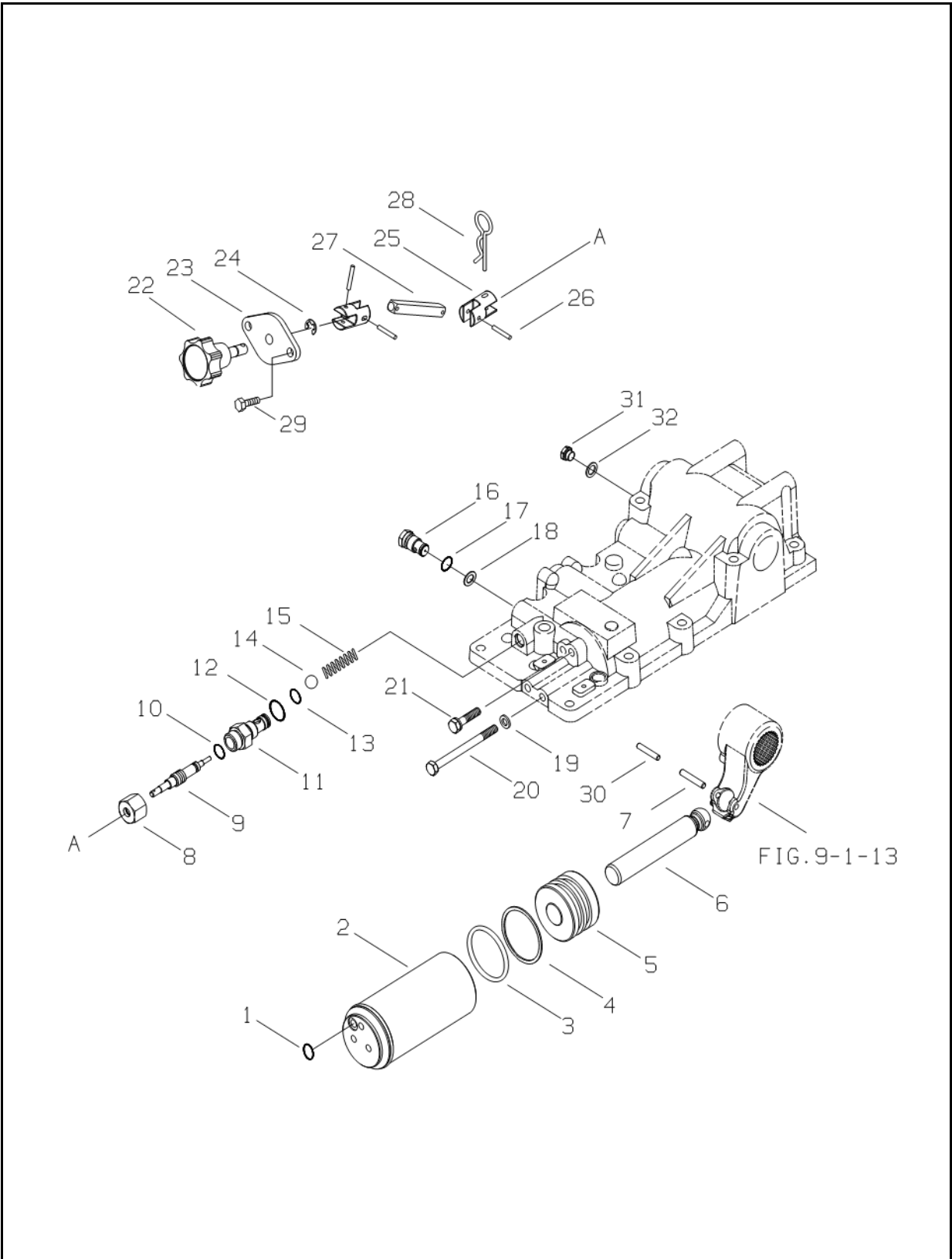
NO.	PART NO.	PART NAME & DESCRIPTION	QTY			APP.NO	REM.
			A	B	C		
1	A1825254	BRACKET, HYD. LEVER	1	1			
2	S154102033	BOLT, HEX.	3	3			
3	A1825171	FRICION PLATE	1	1			
4	A1825260	ARM, DRAFT LEVER	1	1			
5	A1825174	ARM, POSITION LEVER	1	1			
6	A1825172	FRICION PLATE	3	3			
7	A1825170	PLATE, LOCKING	2	2			
8	A1825086	SPRING	1	1			
9	A1825167	COVER, SPRING	1	1			
10	S361060013	WAHSER, SPRING 1-TY	3	3			
11	S305060013	NUT, HEX.	3	3			
12	A1825183	LINK, HYD. LEVER	2	2			
13	A1825200	LEVER, POSITION	1	1			
14	S814015003	RING, SNAP(E)	1	1			
15	A5002309	GRIP, LEVER	2	2			
16	A1825262	LEVER, DRAFT	1	1			
17	S814006003	RING, SNAP(E)	6	6			
18	A1825056	GRIP, LEVER STOP	2	2			
19	A1825129	STOPPER, LEVER	2	2			
20	S305080043	NUT, HEX.	3	3			
21	A1825194	GUIDE, HYD. LEVER	1	1			
22	A18830283	CAP, BOLT	1	1			
23	S155083033	BOLT, HEX.	1	1			
24	A1825196	STOPPER, HYD.LEVER	1	1			
25	S345080013	NUT, FLANGE	2	2			
26	S159082033	BOLT, HEX.	1	1			



# HYDRAULIC CYLINDER

FIG. 9-8

G. 826



# HYDRAULIC CYLINDER

A-NOT AVAILABLE / B-i28,i36

A-NOT AVAILABLE / B-i28,i36

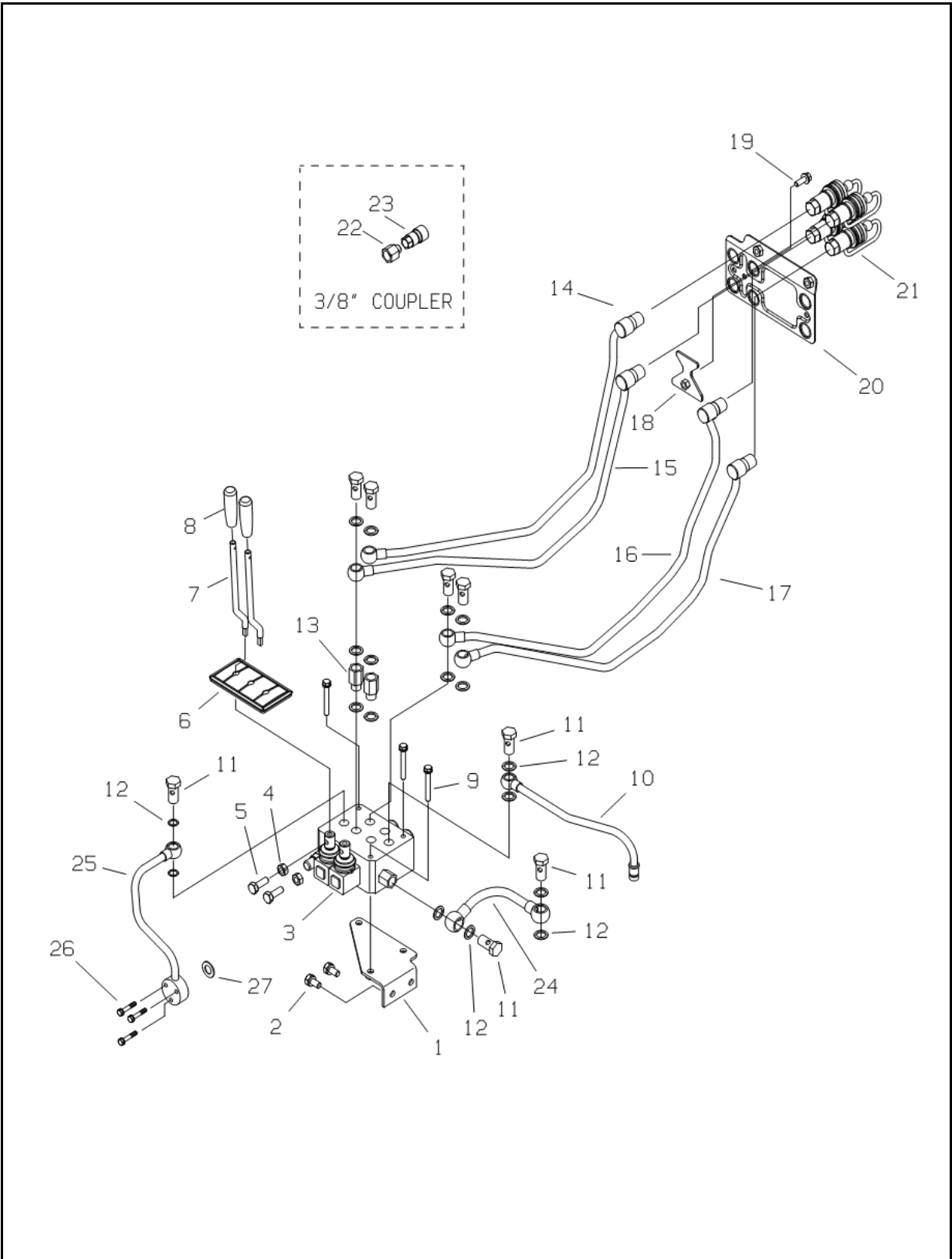
**FIG. 9-8**

NO.	PART NO.	PART NAME & DESCRIPTION		QTY			APP.NO	REM.
				A	B	C		
1	S801014020	O-RING	D14	1	1			
2	A1826137	CYLINDER, HYDRAULIC		1	1			
3	A1826123	O-RING		2	2			
4	A1826124	RING, BACK-UP		2	2			
5	A1826122	PISTON		1	1			
6	A1826127	ROD, PISTON		1	1			
7	S446085510	PIN, SPRING	Φ8X55L	1	1			
8~13	A1826131	FLOW, REGULATOR ASSY		1	1			
8	A1826081	NUT		1	1			
9	A1826132	SCREW, ADJUST		1	1			
10	S801006020	O-RING	D6	1	1			
11	A1826079	BODY, REGULATOR		1	1			
12	S801014020	O-RING	D14	1	1			
13	S801010020	O-RING	D10	1	1			
14	A20063480	BALL, STEEL		1	1			
15	A1826058	SPRING		1	1			
16	A1826037	VALVE, SAFETY		1	1			
17	S801018010	O-RING	D18	1	1			
18	A1826036	SEAL		1	1			
19	S361100013	WASHER, SPRING	Φ18.4X10.2X2.5T	2	2			
20	S104101243	BOLT, HEX.	M10X1.5X12	2	2			
21	S154104533	BOLT, HEX.	M10X1.5X45	1	1			
22~27	A1826133	REGULATOR KNOB ASSY		1	1			
22	A1826136	KNOB		1	1			
23	A5002204	FLANGE, KNOB		1	1			
24	S814006001	RING, SNAP	D6	1	1			
25	A1826134	END, CONNECTOR		2	2			
26	S446032012	PIN, SPRING 2-TY.	Φ3X20	3	3			
27	A1826135	CONNECTOR		1	1			
28	S443160013	PIN, SNAP A-TYPE	Φ16X54	1	1			
29	S155062033	BOLT, HEX.	M6X1.0X20	2	2			
30	S446055510	PIN, SPRING	Φ5X55L	1	1			
31	A1823190	PLUG		1	1			
32	A1823158	SEAL, COPPER	M19X1.5T	1	1			

# REMOTE CONTROL VALVE & LINE

FIG. 9-9A

G. 827



# REMOTE CONTROL VALVE & LINE

A-NOT AVAILABLE / B-i28,i36

A-NOT AVAILABLE / B-i28,i36

**FIG. 9-9A**

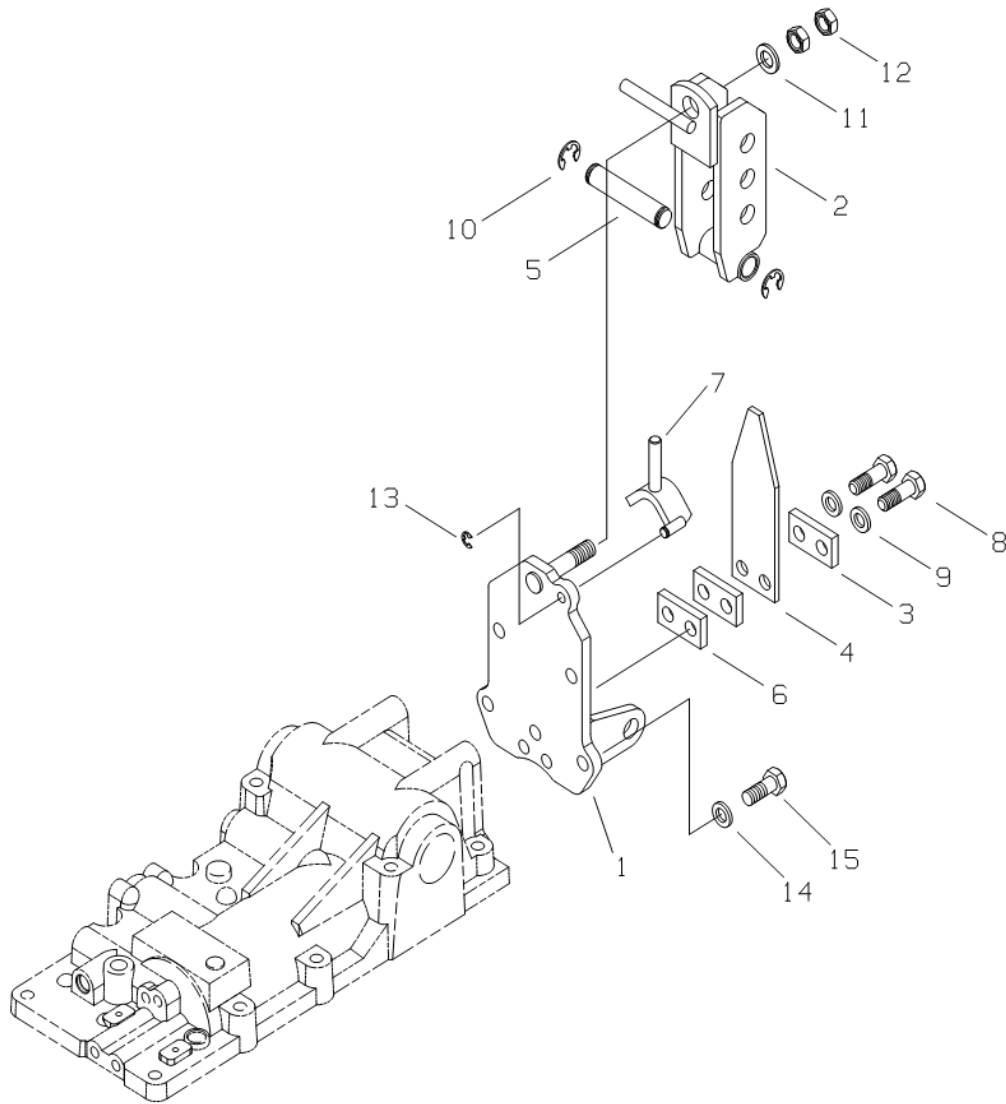
**( SD5/2 )**

NO.	PART NO.	PART NAME & DESCRIPTION	QTY			APP.NO	REM.
			A	B	C		
1	A1827297	BRACKET, VALVE	1	1			
2	S154102033	BOLT, HEX.	2	2			
3	A1827260	VALVE, REMOTE COTROL	1	1			
4	S305100013	NUT, HEX.	2	2			
5	S101102543	BOLT, HEX.	2	2			
6	A1827276	COVER, REMOTE LEVER	1	1			
7	A1827296	LEVER, REMOTE	2	2			
8	A1970242	GRIP, VALVE LEVER	2	2			
9	S153086033	BOLT, HEX.	3	3			
10	A1827291	PIPE, REMOTE V/V DRAIN	1	1			
11	A1630201	BOLT, UNION	8	8			
12	A1823245	SEAL, BONDED	18	18			
13	A1827152	CONNECTOR, UNION	2	2			
14	A1827338	PIPE, 1ST(U)	1	1			
15	A1827337	PIPE, 1ST(D)	1	1			
16	A1827340	PIPE, 2ND(U)	1	1			
17	A1827339	PIPE, 2ND(D)	1	1			
18	A1827343	BRACKET, REMOTE PIPE	1	1			
19	S159082533	BOLT, HEX.	1	1			
20	A1827244	BRACKET, R/CTRL. PIPE	1	1			
21	A1827177	QUICK COUPLER 1/2	4	4			
22~23	A1827285	QUICK COUPLER SUB ASSY	4	4			
22	A1827286	ADAPTER	1	1			
23	A1827168	QUICK COUPLER	1	1			
24	A1823560	PIPE, R/C PRESSURE OUT	1	1			
25	A1823559	PIPE, R/C V/V IN	1	1			
26	S153063533	BOLT, HEX.	3	3			
27	S801016010	O-RING	1	1			

# UPPER LINK BRACKET

FIG. 9-10B

G. 828



# UPPER LINK BRACKET

A-NOT AVAILABLE / B-i28,i36

A-NOT AVAILABLE / B-i28,i36

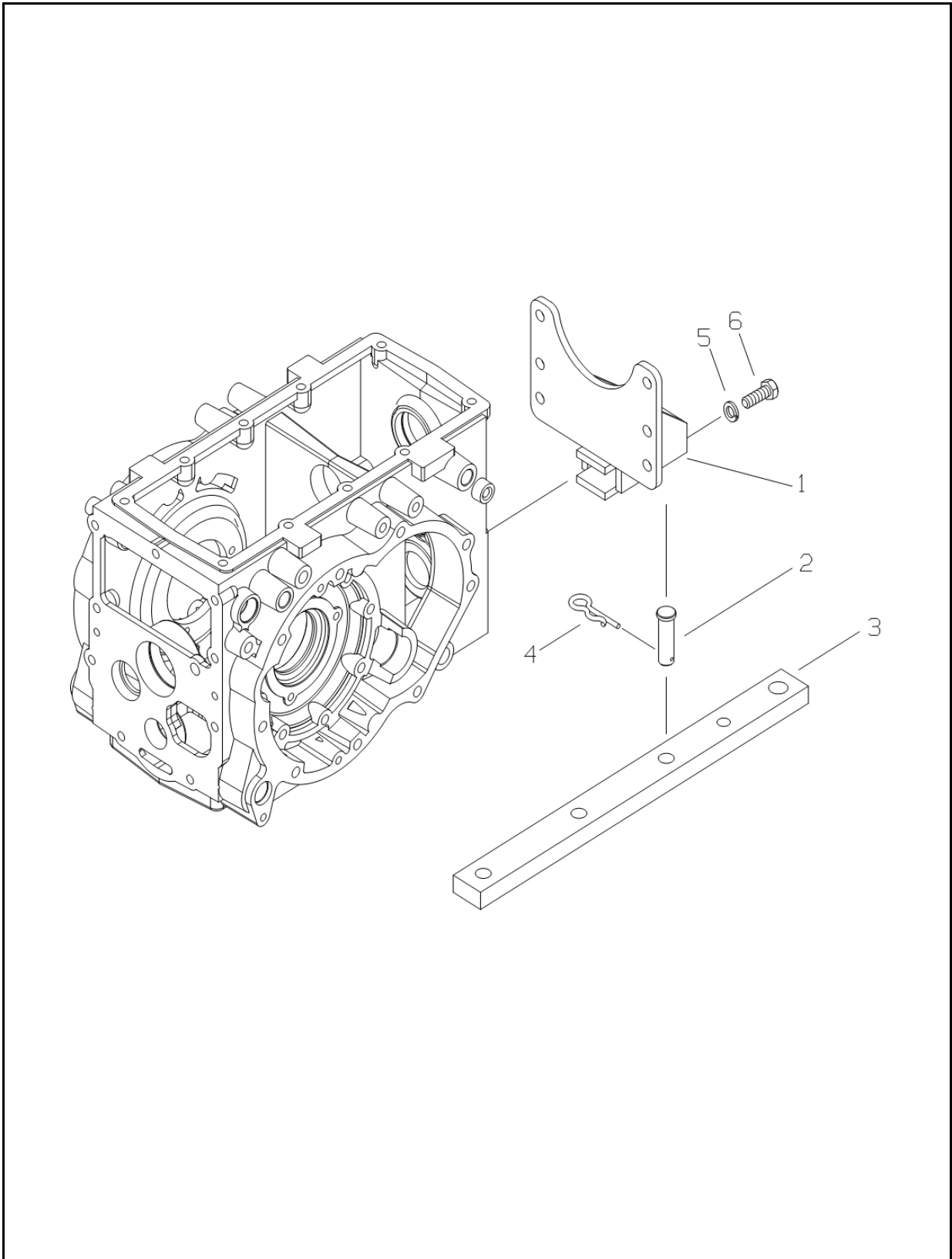
**FIG. 9-10B**

NO.	PART NO.	PART NAME & DESCRIPTION	QTY			APP.NO	REM.
			A	B	C		
1~14	A1828062	UPPER, LINK BRACKET ASSY	1	1			
1	A1828063	BRACKET	1	1			
2	A1828048	BRACKET, UPPER LINK	1	1			
3	A1828056	PLATE	2	2			
4	A1828050	SPRING, LEAF	1	1			
5	A1828051	PIN	1	1			
6	A1828052	PLATE	1	1			
7	A1828053	STOPPER	1	1			
8	S107144043	BOLT, HEX.	M14X2.0X40	2	2		
9	S362140013	WASHER, SPRING	Φ24.7X14.2X4.2T	2	2		
10	S814015003	RING, SNAP	D15	2	2		
11	S364160053	WASHER, PLN. F-RD		1	1		
12	S314160013	NUT, HEX.	M16X1.5	2	2		
13	S814008010	RING, SNAP	D8	1	1		
14	S361140013	WASHER, SPRING	Φ24.5X14.2X3.5T	4	4		
15	S101143543	BOLT, HEX.	M14X2.0X35	4	4		

# DRAWBAR HITCH

FIG. 9-11B

G. 891



# DRAWBAR HITCH

A-NOT AVAILABLE / B-i28,i36

A-NOT AVAILABLE / B-i28,i36

**FIG. 9-11B ( TELESCOPIC DRAWBAR )**

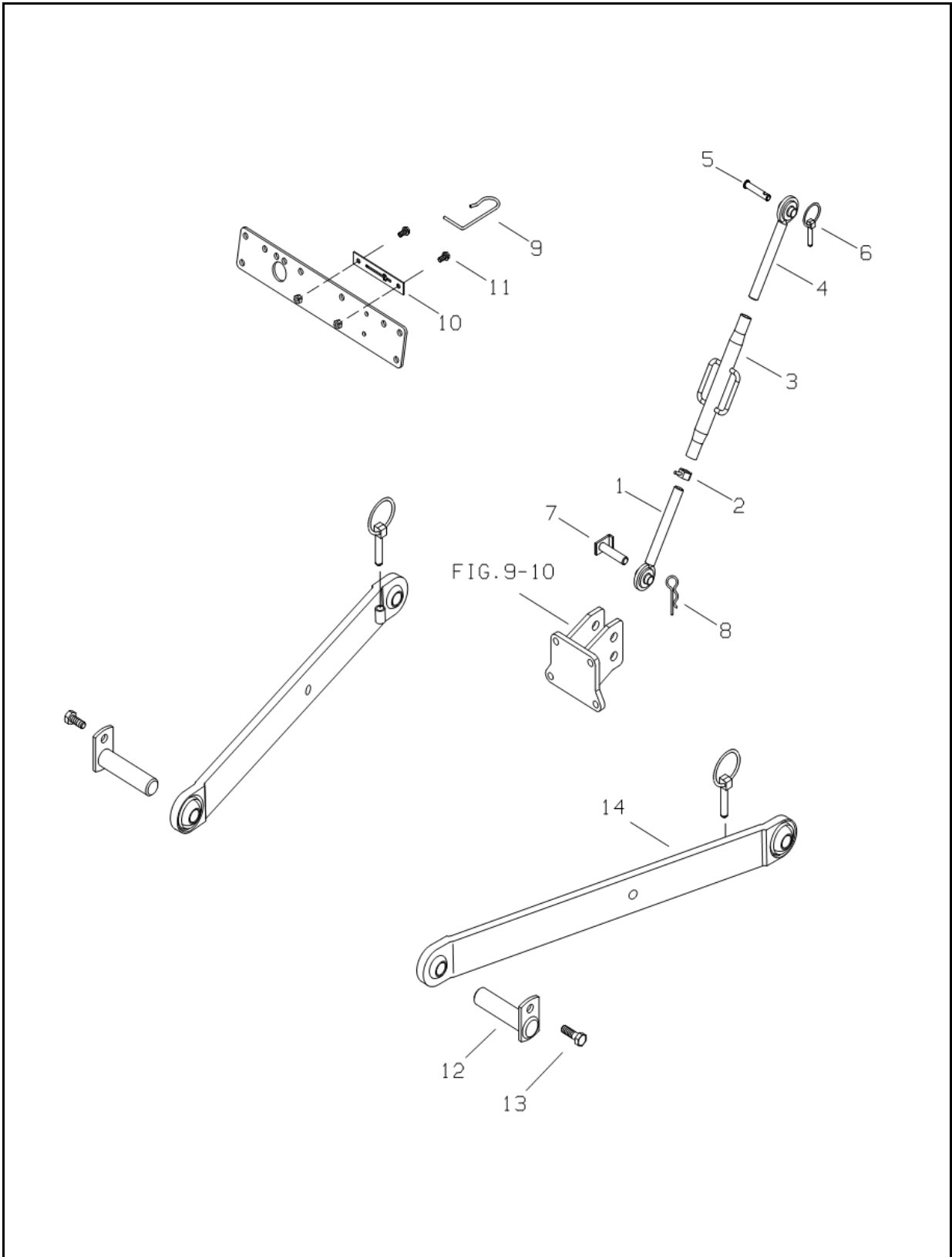
NO.	PART NO.	PART NAME & DESCRIPTION	QTY			APP.NO	REM.
			A	B	C		
1	A1891049	SUPPORT, DRAWBAR	1	1			
2	A1891030	PIN	1	1			
3	A1891050	DRAWBAR	1	1			
4	3A1970091	PIN, SNAP	1	1			
5	S361140013	WASHER, SPRING	6	6			
6	S101144043	BOLT, HEX	6	6			



# UPPER & LOWER LINK

FIG. 9-12A

G. 896



# UPPER & LOWER LINK

A-NOT AVAILABLE / B-i28,i36

A-NOT AVAILABLE / B-i28,i36

**FIG. 9-12A**

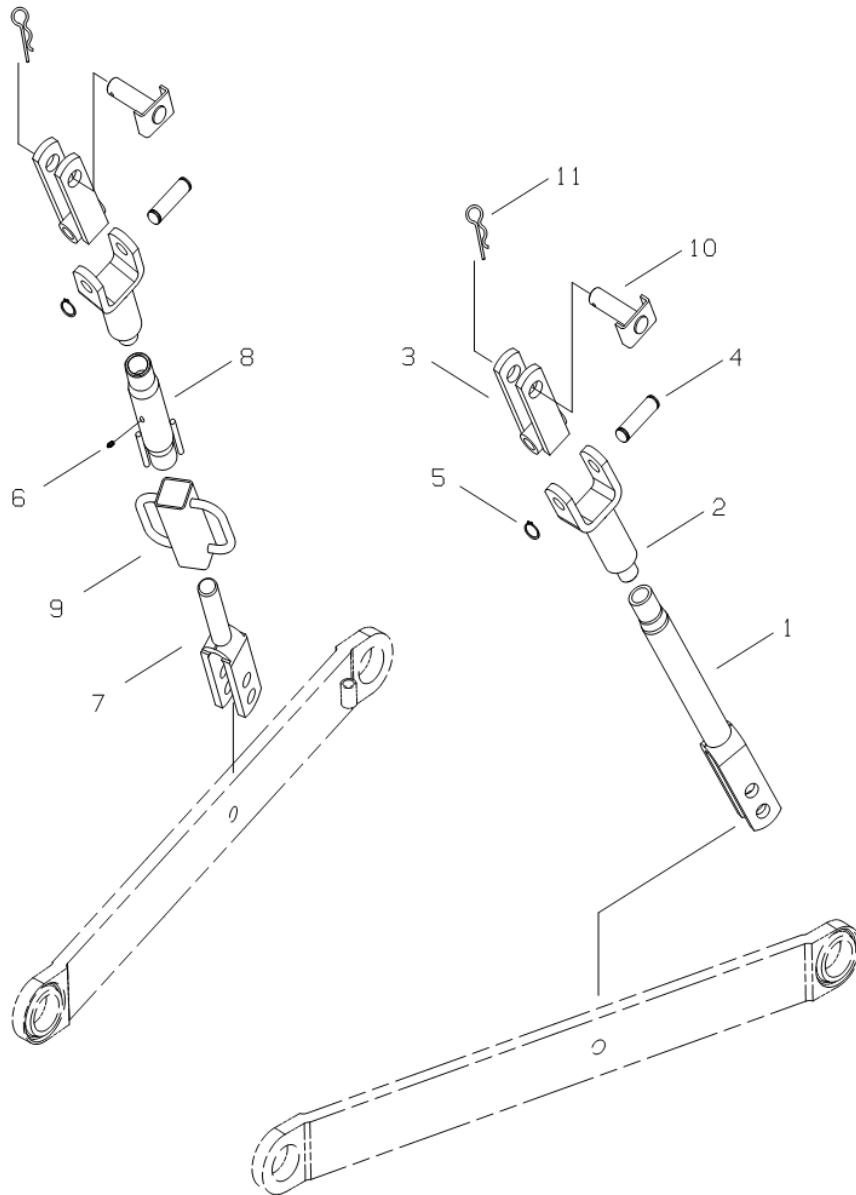
**( GENERAL )**

NO.	PART NO.	PART NAME & DESCRIPTION		QTY			APP.NO	REM.
				A	B	C		
1~6	A1896599	UPPER LINK ASSY	470-750	1	1			
1	A1896601	END, UPPER LINK(F)	M24X3	1	1			
2	3A1970092	NUT, LOCK	M24X3	1	1			
3	A1896600	TURN BUCKLE	M24X3	1	1			
4	A1896602	END, UPPER LINK(R)	M24X3(CAT1)	1	1			
5	3A1896013	PIN UPPER LINK(R)		1	1			
6	3A1896081	PIN, LINK		3	3			
7	A1896189	PIN, UPPER LINK(F)		1	1			
8	3A1970091	PIN, SNAP		1	1			
9	A1896540	HOOK, UPPER LINK		1	1			
10	A1896519	BRACKET, HOOK		1	1			
11	S159082533	BOLT, HEX		2	2			
12	A1896477	PIN, LOWER LINK HITCH		2	2			
13	S154102533	BOLT, HEX. W/WASHER	M10X1.25X25	2	2			
14	A1896522	LOWER, LINK		2	2			

# LIFT ROD

FIG. 9-13

G. 896



# LIFT ROD

A-NOT AVAILABLE / B-i28,i36

A-NOT AVAILABLE / B-i28,i36

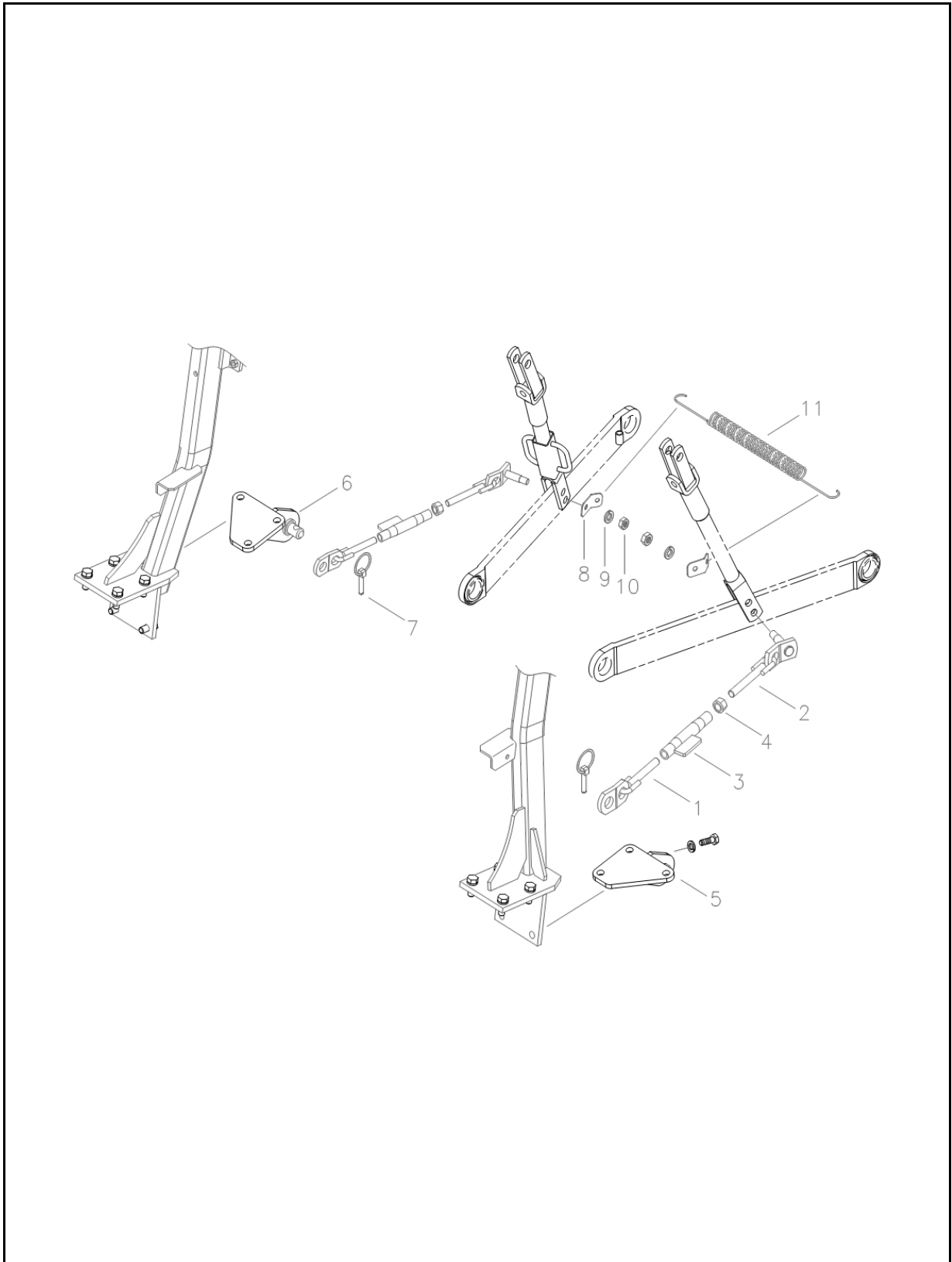
**FIG. 9-13**

NO.	PART NO.	PART NAME & DESCRIPTION	QTY			APP.NO	REM.
			A	B	C		
1~5	A1896528	LIFT ROD ASSY(LH)	1	1			
1	A1896529	ROD, LOWER LIFT(LH)	1	1			
2	A1896524	ROD, UPPER LIFT	1	1			
3	A1896087	JOINT, LIFT ROD	1	1			
4	A1896593	PIN, LIFT ROD	1	1			
5	S810016003	RING, SNAP	1	1			
2~9	A1896523	LIFT ROD ASSY(RH)	1	1			
6	A0730009	NIPPLE	1	1			
7	A1896525	ROD, LOWER LIFT(RH)	1	1			
8	A1896526	SLEEVE, LIFT ROD	1	1			
9	A1896527	HANDLE, LIFT ROD	1	1			
10	A1896530	PIN, LIFT ROD(UPPER)	2	2			
11	3A1970091	PIN, SNAP	2	2			

# CHECK LINK

FIG. 9-14

G. 896



# CHECK LINK

A-NOT AVAILABLE / B-i28,i36

A-NOT AVAILABLE / B-i28,i36

**FIG. 9-14**

NO.	PART NO.	PART NAME & DESCRIPTION	QTY			APP.NO	REM.
			A	B	C		
1~4	A1896471	CHECK CHAIN ASSY	2	2			
1	A1896589	CHAIN(F)	1	1			
2	A1896536	CHAIN(R)	1	1			
3	A1896597	TURN BUCKLE	1	1			
4	S301160013	NUT	1	1			
5	A1896587	BRACKET, CHECK CHAIN(LH)	1	1			
6	A1896588	BRACKET, CHECK CHAIN(RH)	1	1			
7	3A1896081	PIN, LINK	2	2			
8	A1896333	BRACKET, SPRING	2	2			
9	S361140013	WASHER, SPRING	2	2			
10	S314140013	NUT, HEX	2	2			
11	A1896539	SPRING, LOWER LINK	1	1			

※ Contents에서 목차불러오기 실행후 각 그룹 위에 삽입함.

■ 엔진 주변 부품 FIG 2~	ENGINE
■ 동력 전달 FIG 3~	TM
■ 차동 장치 FIG 4~	DIFF. LOCK
■ 앞차축, 뒷차축 FIG 5~	FRONT, REAR AXLE
■ 조향 장치 FIG 6~	STEERING SYSTEM
■ 브레이크 장치 FIG 7~	BRAKE
■ 전기 장치 FIG 8~	ELECTRICAL SYSTEM
■ 유압 장치 FIG 9~	HYDRAULIC SYSTEM
■ 외장 FIG 10~	SHEET METAL, INTERIOR
■ 공구, 데칼 FIG 11 FIG 12	TOOLS & DECAL
■ 선택 사양 FIG 13	OPTION

4/1/2006









4/1/2006

# 본 체 부 품

## ■ 엔진 주변 부품

연료 탱크	-----	FIG. 2-1	G. 040
조속장치	-----	FIG. 2-2	G. 100
소음기	-----	FIG. 2-3	G. 150
라디에이터	-----	FIG. 2-4	G. 170
에어크리너	-----	FIG. 2-5	G. 190
엔진 프레임	-----	FIG. 2-6	G. 100

## ■ 동력 전달

클러치	-----	FIG. 3-1	G. 250 (MEC)
댐퍼	-----	FIG. 3-1	G. 250 (HST)
클러치 하우징	-----	FIG. 3-2	G. 250 (MEC)
유압미션	-----	FIG. 3-2	G. 270 (HST)
클러치페달	-----	FIG. 3-3	G. 260 (MEC)
트랜스미션 케이스	-----	FIG. 3-4	G. 280 (MEC)
트랜스미션 케이스	-----	FIG. 3-4	G. 280 (HST)
주 축	-----	FIG. 3-5	G. 281 (MEC)
부변속 축	-----	FIG. 3-6	G. 285 (MEC)
부변속 축	-----	FIG. 3-6	G. 285 (HST)
피티오 축	-----	FIG. 3-7	G. 283,287 (MEC)
피티오 축	-----	FIG. 3-7	G. 283,287 (HST)
피티오 구동축	-----	FIG. 3-8	G. 287 (PTO/3)
피티오 구동축	-----	FIG. 3-8	G. 287 (PTO/1, M/PTO)
전륜 구동 축	-----	FIG. 3-9	G. 288
전륜 구동 축	-----	FIG. 3-9	G. 288, 380
변속레버 및 포크	-----	FIG. 3-10	G. 290 (MEC)
HST 컨트롤	-----	FIG. 3-10	G. 292 (HST)
변속레버 및 포크	-----	FIG. 3-11	G. 290,293 (MEC)
변속레버 및 포크	-----	FIG. 3-11	G. 290,293 (HST)
변속레버 및 포크	-----	FIG. 3-11	G. 290-293 (PTO/3, GSP)
미들 피티오 축 및 레버	-----	FIG. 3-12	G. 287,293 (M/PTO)

## ■ 차동 장치

차동 고정장치	-----	FIG. 4-1	G. 320 (MEC)
차동 고정장치	-----	FIG. 4-1	G. 320 (HST)
차동장치	-----	FIG. 4-2	G. 310

## ■ 앞차축, 뒷차축

앞차축 조립체	-----	FIG. 5-1	G. 400
앞차축 케이스	-----	FIG. 5-2	G. 400
앞차축 케이스	-----	FIG. 5-3	G. 400
앞차축 차동장치	-----	FIG. 5-4	G. 400
앞차축 구동장치	-----	FIG. 5-5	G. 400
뒷차축 최종구동	-----	FIG. 5-6	G. 400
앞, 뒤 타이어	-----	FIG. 5-7	G. 490

## ■ 조향 장치

# 본 체 부 품

타이로드 -----	FIG. 6-1	G. 610	
조향라인 -----	FIG. 6-2	G. 630	
조향 휠 및 칼럼 -----	FIG. 6-3	G. 630	
조향 실린더 -----	FIG. 6-4	G. 630	
쿨러 -----	FIG. 6-5	G. 640	(HST)
<b>■ 브레이크 장치</b>			
브레이크 -----	FIG. 7-1	G. 650	
브레이크페달 -----	FIG. 7-2	G. 670	(MEC)
브레이크페달 -----	FIG. 7-2	G. 670	(HST)
주차브레이크 -----	FIG. 7-3	G. 670	
주차브레이크 -----	FIG. 7-3	G. 670	
<b>■ 전기 장치</b>			
전기 배선 -----	FIG. 8-1	G. 730	
축전지 -----	FIG. 8-2	G. 740	
계기 패널 -----	FIG. 8-3A-1	G. 750	(MEC)
전기 스위치 -----	FIG. 8-3A-2	G. 750	(MEC)
계기 패널 -----	FIG. 8-3B-1	G. 750	(HST)
전기 스위치 -----	FIG. 8-3B-2	G. 750	(HST)
램프 -----	FIG. 8-4	G. 760	
<b>■ 유압 장치</b>			
유압 하우징 -----	FIG. 9-1	G. 820	(W/O DRAFT)
유압 하우징 -----	FIG. 9-1	G. 820	(W/D DRAFT)
리프트 제어밸브 및 링크 -----	FIG. 9-2	G. 822	(W/O DRAFT)
리프트 제어밸브 및 링크 -----	FIG. 9-2	G. 822	
TM 제어 밸브 -----	FIG. 9-3	G. 822	
유압인출 및 로더밸브 -----	FIG. 9-4	G. 822	(F/ OUTLET VALVE)
유압인출 및 로더밸브 -----	FIG. 9-4	G. 822	(LOADER VALVE)
유압 라인 -----	FIG. 9-5	G. 823	(F/OUTLET)
유압 라인 -----	FIG. 9-5	G. 823	(LOADER VALVE)
유압 제어 링크 -----	FIG. 9-6	G. 824	(W/O DRAFT)
유압 제어 링크 -----	FIG. 9-6	G. 824	(W/DRAFT)
유압 제어 레버 -----	FIG. 9-7	G. 825	(W/O DRAFT)
유압 실린더 -----	FIG. 9-8	G. 826	
원격 유압 밸브 및 라인 -----	FIG. 9-9	G. 827	(SD5/2)
원격 유압 밸브 및 라인 -----	FIG. 9-9	G. 827	(SD5/1)
원격 유압 밸브 및 라인 -----	FIG. 9-9	G. 827	
상부 링크 브라켓트 -----	FIG. 9-10	G. 828	
상부 링크 브라켓트 -----	FIG. 9-10	G. 828	
드로바 히치 -----	FIG. 9-11	G. 891	(FIXED HITCH)
드로바 히치 -----	FIG. 9-11	G. 891	(TELESCOPIC DRAWBAR)
드로바 히치 -----	FIG. 9-11	G. 891	(CLEVIS DRAWBAR (CE))
상부 및 하부 링크 -----	FIG. 9-12	G. 896	(GENERAL )
상부 및 하부 링크 -----	FIG. 9-12	G. 896	(AUTO/H)

# 본 체 부 품

---

리프트 로드	-----	FIG. 9-13	G. 896	
체크링크	-----	FIG. 9-14	G. 896	
수평제어 유압라인	-----	FIG. 9-15	G. 896	

## ■ 외장

후드	-----	FIG. 10-1A-1	G. 830	(C-LOOK)
후드	-----	FIG. 10-1A-2	G. 830	(C-LOOK)
후드	-----	FIG. 10-1B-1	G. 830	(M-LOOK)
후드	-----	FIG. 10-1B-2	G. 830	(M-LOOK)
후드	-----	FIG. 10-1C-1	G. 830	(R-LOOK)
후드	-----	FIG. 10-1C-2	G. 830	(R-LOOK)
후드	-----	FIG. 10-2	G. 830	(MEC)
후드	-----	FIG. 10-2	G. 830	(HST)
발판	-----	FIG. 10-3A-1	G. 840	(MEC)
발판	-----	FIG. 10-3A-2	G. 840	(MEC)
발판	-----	FIG. 10-3B-1	G. 840	(HST)
발판	-----	FIG. 10-3B-2	G. 840	(HST)
발판	-----	FIG. 10-3B-3	G. 840	(HST)
발판	-----	FIG. 10-3B-4	G. 840	(HST)
의자	-----	FIG. 10-4	G. 850	
의자	-----	FIG. 10-4	G. 850	
펜더	-----	FIG. 10-14	G. 870	
펜더	-----	FIG. 10-14B-1	G. 870	(HST)
펜더	-----	FIG. 10-14B-2	G. 870	(HST)
펜더	-----	FIG. 10-14B-3	G. 870	(HST)
펜더	-----	FIG. 10-14B-4	G. 870	(HST)
보호구조물	-----	FIG. 10-15	G. 880	(R/ROPS)
보호구조물	-----	FIG. 10-15	G. 880	(R/ROPS)
보호구조물	-----	FIG. 10-15	G. 880	(F/ROPS)
안전프레임	-----	FIG. 10-15	G. 880	(F/ROPS)

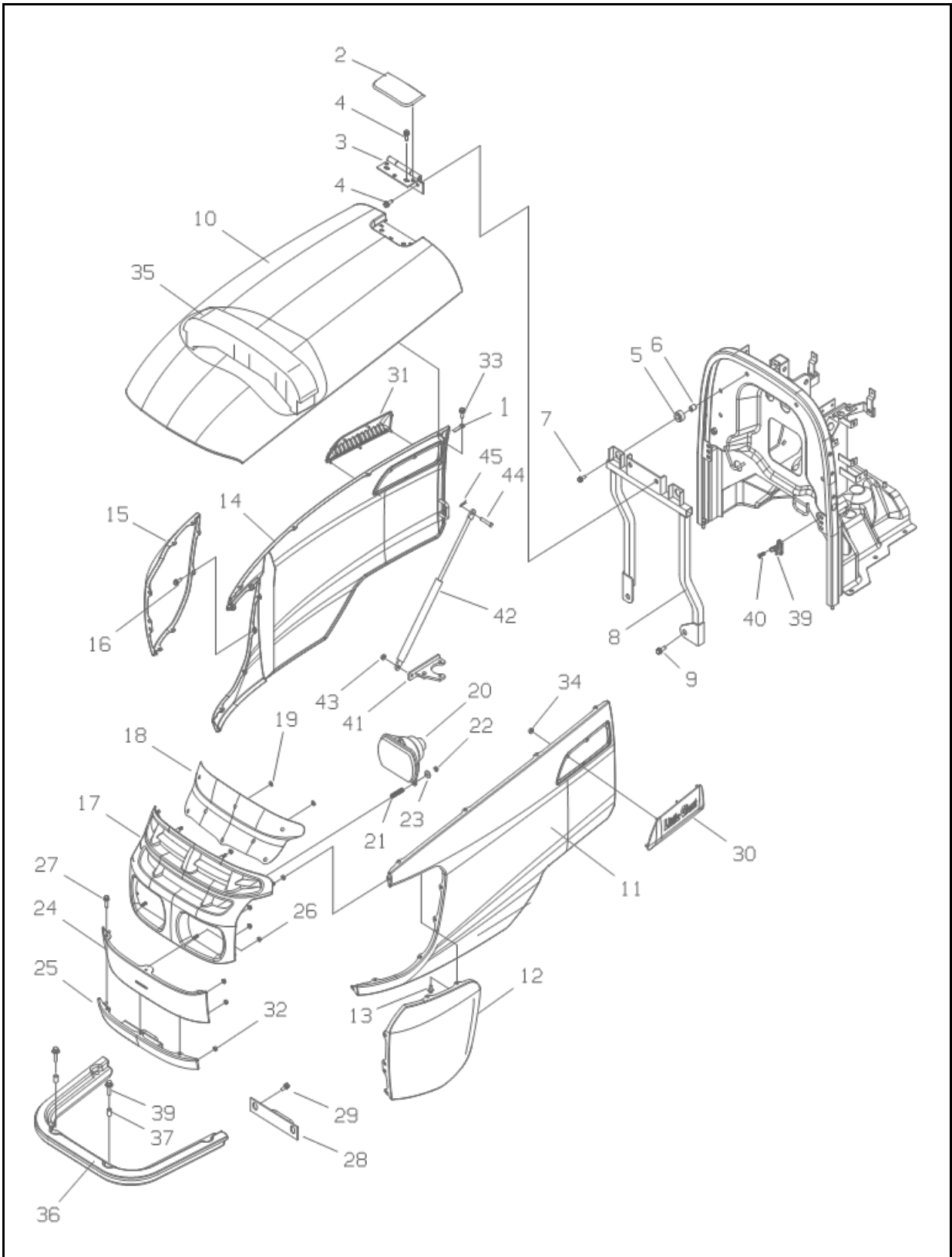
## ■ 공구, 데칼

공구	-----	FIG. 11-1	G. 920	
데칼	-----	FIG. 12-1	G. 980	

# HOOD

FIG. 10-1C-2

G. 830





# HOOD

A-NOT AVAILABLE / B-i28,i36

A-NOT AVAILABLE / B-i28,i36

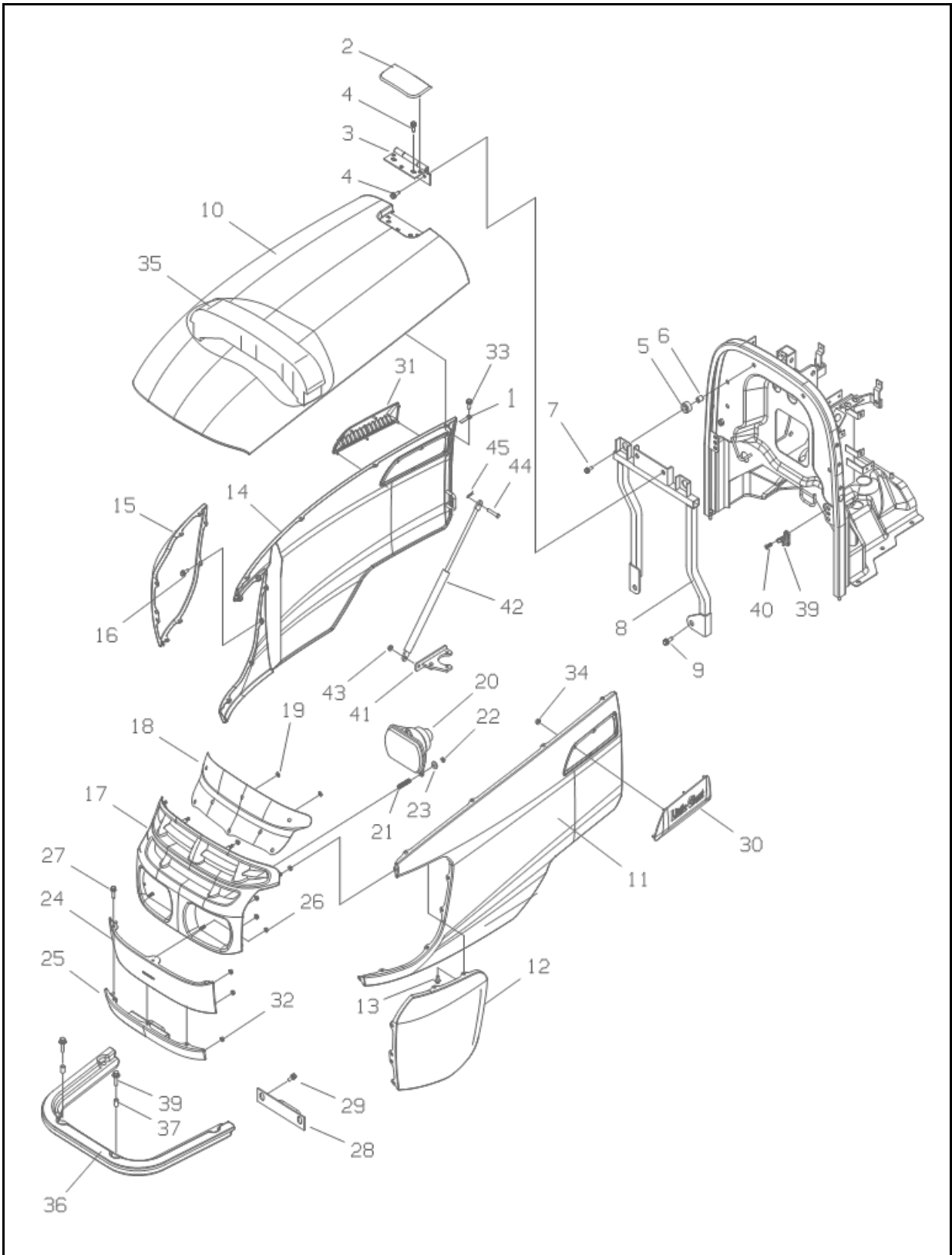
**FIG. 10-1C-2 AG (R-LOOK)**

NO.	PART NO.	PART NAME & DESCRIPTION	QTY			APP.NO	REM.
			A	B	C		
1	A0640015	CLAMP, RING	3	3			
2	A1830257	COVER, HINGE	1	1			
3	A1830258	HINGE	1	1			
4	S159082033	BOLT, HEX. W/WASHER	4	4			
5	A1830574	MOUNT RUBBER	2	2			
6	A1830575	SPACER, RUBBER MOUNT	2	2			
7	S159083533	BOLT, HEX. W/WASHER	2	2			
8	A1830663	SUPPORT, BONNET	*	1			S4L
	A1830729	SUPPORT, BONNET	1	*			L3A
9	S154102533	BOLT, HEX. W/WASHER	2	2			
10	A1830718	HOOD, BONNET	1	1			
11~13	A1830719	SIDE COVER ASSY LH	1	1			
11	A1830721	COVER, SIDE LH	1	1			
12	A1830622	SIDE GRILLE, LH	1	1			
13	S155061233	BOLT, HEX W/WASHER	6	6			
14~16	A1830720	SIDE COVER ASSY RH	1	1			
14	A1830722	COVER, SIDE RH	1	1			
15	A1830723	SIDE GRILLE, RH	1	1			
16	S155061233	BOLT, HEX W/WASHER	6	6			
17~29	A1830723	GRILLE ASSY	1	1			
17	A1830616	GRILLE, UPPER	1	1			
18	A1830619	NET, GRILLE	1	1			
19	A1970340	NUT, SPEED	8	8			
20	A1760044	HEAD LAMP ASSY	2	2			
21	A1760003	SPRING	6	6			
22	A1970309	NUT, LOCK	6	6			
23	S364060013	WASHER, PLN. F-RD	6	6			
24	A1830617	GRILLE, CENTER	1	1			
25	A1830724	GRILLE, UNDER	1	1			
26	S345060013	NUT, FLANGE	3	3			
27	S155061633	BOLT, HEX	3	3			
28	A1830777	HANGER	1	1			
29	S159082033	BOLT, HEX W/WASHER	2	2			
30	A1830620	COVER, EXHAUST LH	1	1			
31	A1830621	COVER, EXHAUST RH	1	1			
32	S345060013	NUT, FLANGE	14	14			
33	S159061633	BOLT, HEX	8	8			
34	S345050013	NUT, FLANGE	6	6			
35	A1830660	SEAL, UPPER R-LOOK	1	1			
36	A1830657	SEAL, UNDER R-LOOK	1	1			
37	A1830659	SPACER	4	4			
38	S159083533	BOLT, HEX. W/WASHER	4	4			
39	A1830442	GUIDE, HOOD	2	2			
40	S220802511	SCREW	4	4			
41	A1830649	BRACKET, GAS SPRING	*	1			S4L

# HOOD

FIG. 10-1C-2

G. 830



# HOOD

A-NOT AVAILABLE / B-i28,i36

A-NOT AVAILABLE / B-i28,i36

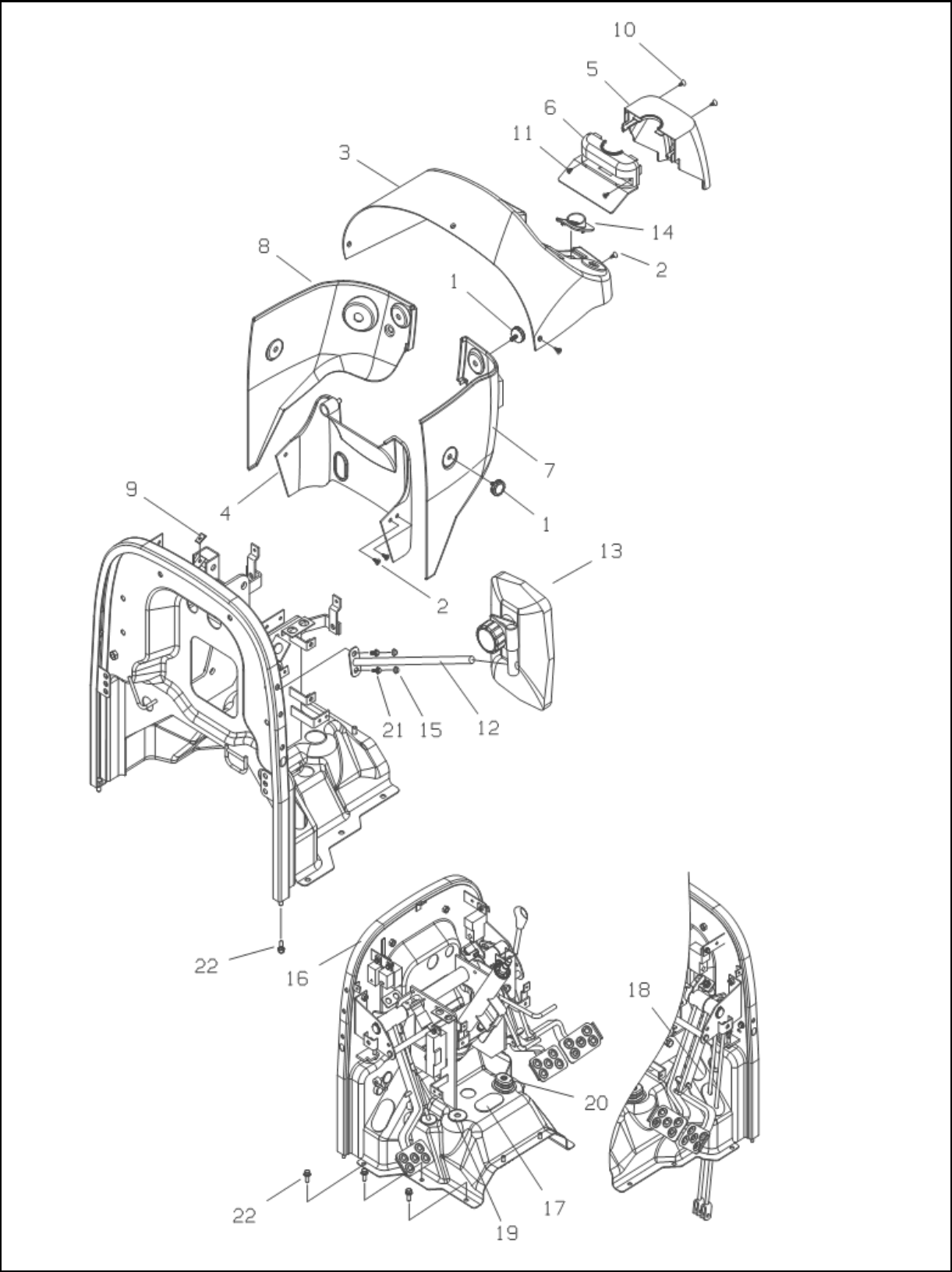
**FIG. 10-1C-2 AG (R-LOOK)**

NO.	PART NO.	PART NAME & DESCRIPTION	QTY			APP.NO	REM.
			A	B	C		
41	A1830732	BRACKET, GAS SPRING	1	*			L3A
42	A1830673	GAS CYLINDER	1	1			
43	S345080013	NUT, FLANGE B-TYPE	1	1			
44	S427083523	PIN, HEAD B-TYPE	1	1			
45	S443080013	PIN, SNAP A-TYPE	1	1			

# BODY PANEL

FIG. 10-2A

G. 830



# BODY PANEL

A-NOT AVAILABLE / B-i28,i36

A-NOT AVAILABLE / B-i28,i36

**FIG. 10-2A**

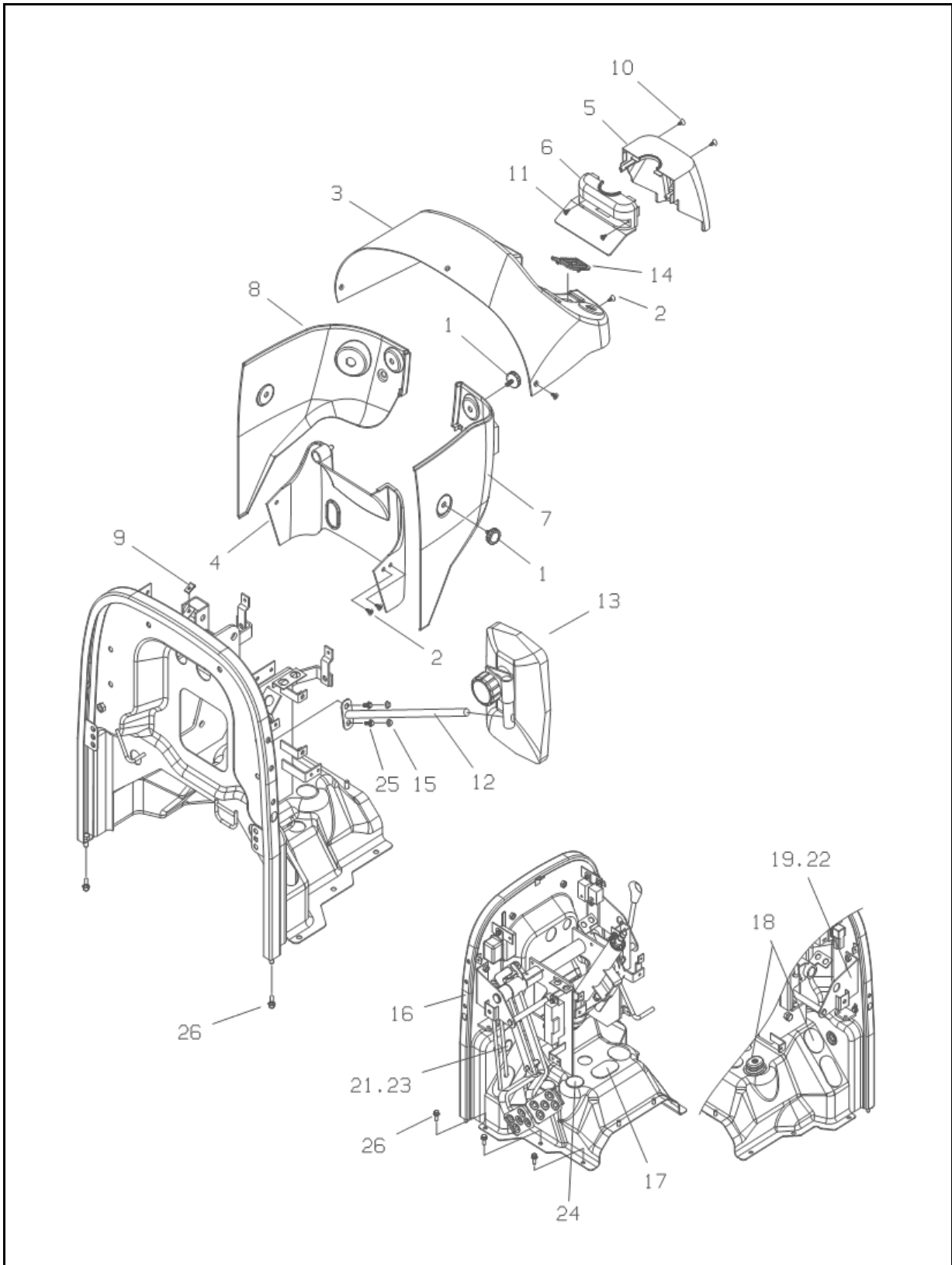
**( MEC )**

NO.	PART NO.	PART NAME & DESCRIPTION	QTY			APP.NO	REM.
			A	B	C		
1	A0711065	KNOB	4	4			
2	A1830417	SCREW, TP. CRS, CSNK.	8	8			
3	A1830558	PANEL, BODY UPPER	1	1			
4	A1830559	PANEL, BODY UNDER	1	1			
5	A1830560	COVER, STEERING FRONT	1	1			
6	A1830576	COVER, STEERING REAR	1	1			
7	A1830582	PANEL, BODY LH	1	1			
8	A1830583	PANEL, BODY RH	1	1			
9	A1970279	PLATE, LOCK	8	8			
10	S219602011	SCREW	2	2			
11	S237401611	SCREW, TP.CRS,PAN	2	2			
12	A1830573	STAY, REAR VIEW MIRROR	1	1			
13	A1920070	MIRROR, REAR VIEW	1	1			
14	A1830561	COVER, F-R CHANGE	1	1			
15	A1830283	CAP, BOLT	2	2			
16~20	A1835009	FEDAL FRAME ASSY	1	1			
16	A1830563	PEDAL FRAME	1	1			
17	A1830568	CAP, BRAKE ROD	1	1			
18	A1830579	CAP, CREEPER LEVER	1	1			
19	A1830569	GROMMET, F-R SHIFT	1	1			
20	A1830570	RUBBER, CREPER LEVER	1	1			
21	S159082033	BOLT, HEX. W/WASHER	2	2			
22	S159082533	BOLT, HEX. W/WASHER	8	8			

# BODY PANEL

FIG. 10-2B

G. 830



# BODY PANEL

A-NOT AVAILABLE / B-i28,i36

A-NOT AVAILABLE / B-i28,i36

**FIG. 10-2B**

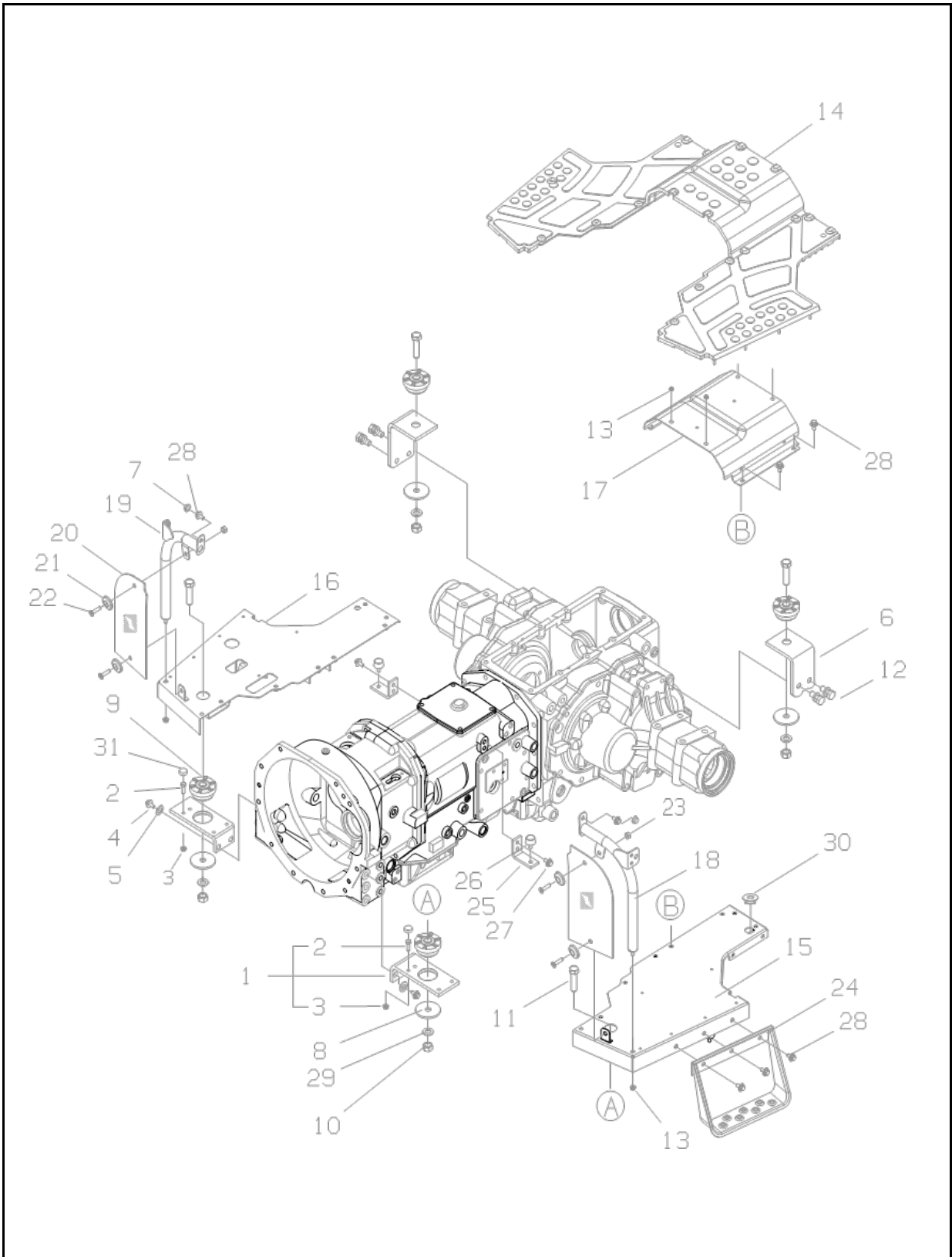
**( HST )**

NO.	PART NO.	PART NAME & DESCRIPTION	QTY			APP.NO	REM.
			A	B	C		
1	A0711065	KNOB	4	4			
2	A1830417	SCREW, TP. CRS, CSNK.	8	8			
3	A1830558	PANEL, BODY UPPER	1	1			
4	A1830559	PANEL, BODY UNDER	1	1			
5	A1830560	COVER, STEERING FRONT	1	1			
6	A1830576	COVER, STEERING REAR	1	1			
7	A1830582	PANEL, BODY LH	1	1			
8	A1830583	PANEL, BODY RH	1	1			
9	A1970279	PLATE, LOCK	8	8			
10	S219602011	SCREW	2	2			
11	S237401611	SCREW, TP. CRS, PAN	2	2			
12	A1830573	STAY, REAR VIEW MIRROR	1	1			
13	A1920070	MIRROR, REAR VIEW	1	1			
14	A1830562	COVER, CRUISE S/W	1	1			
15	A1830283	CAP, BOLT	2	2			
16~24	A1835005	FEDAL FRAME ASSY	1	1			
16	A1830563	FEDAL FRAME	1	1			
17	A1830568	CAP, BRAKE ROD	1	1			
18	A1830579	CAP, CREEPER LEVER	2	2			
19	A1670310	STOPPER, BRAKE PEDAL	1	1			
20	A1830577	CAP, CLUTCH ROD	1	1			
21	A3260012	RUBBER	1	1			
22	S159082033	BOLT, HEX	2	2			
23	S345080013	NUT, FLANGE	1	1			
24	A1830578	CAP, F-R SHAFT	1	1			
25	S159082033	BOLT, HEX. W/WASHER	2	2			
26	S159082533	BOLT, HEX. W/WASHER	8	8			

# STEP

FIG. 10-3B-4

G. 840





# STEP

A-NOT AVAILABLE / B-i28,i36

A-NOT AVAILABLE / B-i28,i36

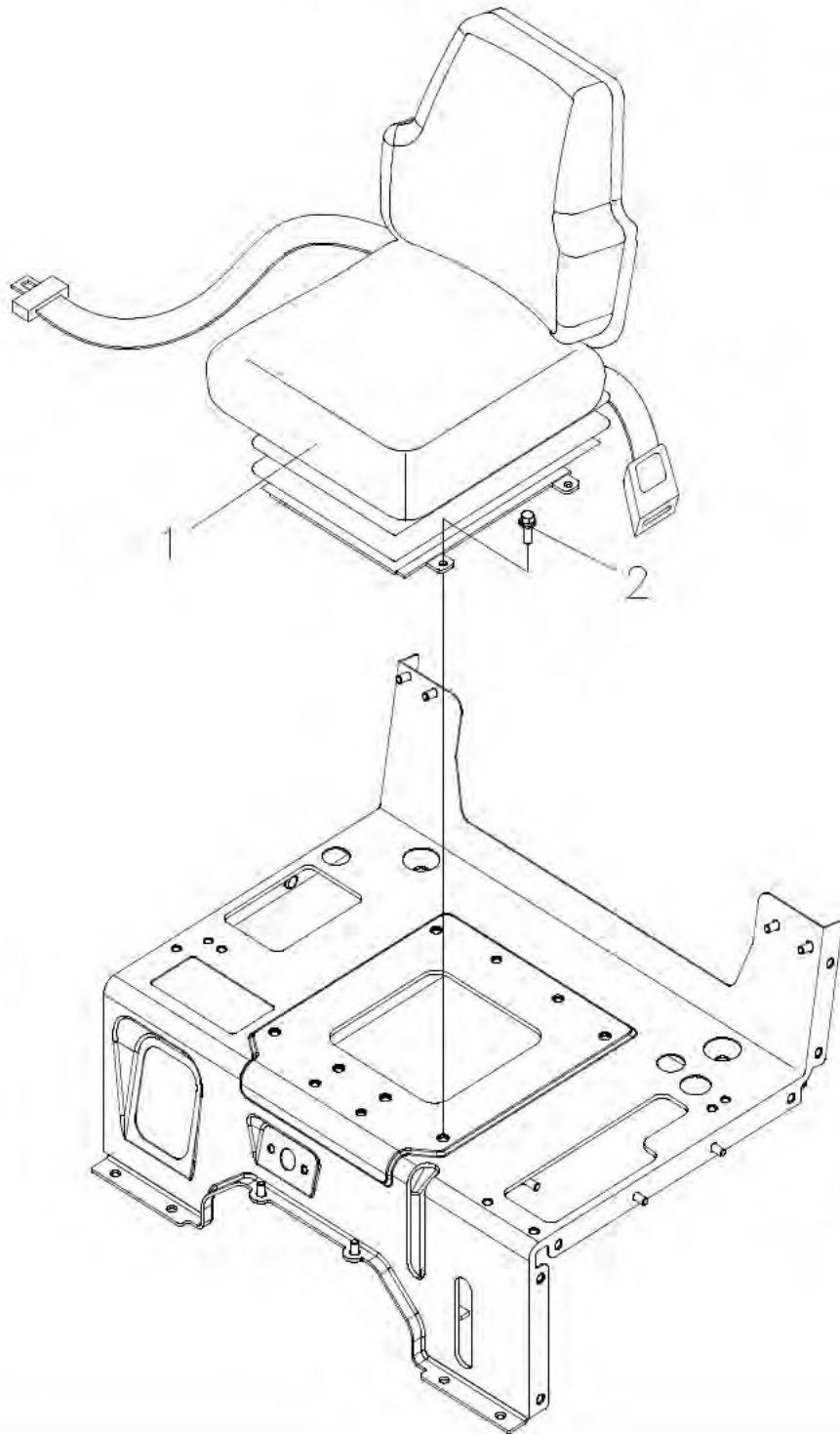
**FIG. 10-3B-4 AG (HST)**

NO.	PART NO.	PART NAME & DESCRIPTION	QTY			APP.NO	REM.
			A	B	C		
1	A1840233	BRACKET, STEP FRONT	2	2			
2	S105082543	BOLT, HEX.	1	1			
3	S345080013	NUT, FLANGE B-TY.	1	1			
4	S101143543	BOLT, HEX.	4	4			
5	S361140013	WASHER, SPR. 1-TY.	4	4			
6	A1840282	BRACKET, REAR MTG.	2	2			
7	A1830283	CAP, BOLT	2	2			
8	A1840236	WASHER, REBOUND	4	4			
9	A1840248	MOUNT	4	4			
10	S306160043	NUT, HEX. 2-TYPE	4	4			
11	S103166043	BOLT, HEX	4	4			
12	S153123533	BOLT, HEX, W/WASHER	4	4			
13	S345080013	NUT, FLANGE B-TY.	6	6			
14	A1840279	MAT, STEP	1	1			
15	A1840320	STEP, LH	1	1			
16	A1840322	STEP, RH	1	1			
17	A1840252	STEP, CENTER	1	1			
18	A1840241	FRAME, MUD GUARD LH	1	1			
19	A1840242	FRAME, MUD GUARD RH	1	1			
20	A1840243	PLATE, MUD GUARD	2	2			
21	A1862006	SPACER, GLASS	4	4			
22	S220802511	SCREW, CROSS, CSNK.	4	4			
23	A1877079	NUT, LOCK	4	4			
24	A1840247	STEP, SUB	1	1			
25	A1840244	BRACKET, CENTER MT'G	2	2			
26	A1840245	RUBBER, CENTER MT'G	2	2			
27	S153082033	BOLT, HEX. W/WASHER	4	4			
28	S159082033	BOLT, HEX. W/WASHER	9	9			
29	S361160013	WASHER, SPR. 1-TY.	4	4			
30	A1869060	GROMMET, WIPER FRONT	1	1			
31	A1840246	STOPPER, FRONT MT'G	2	2			

# SEAT

FIG. 10-4B

G. 850

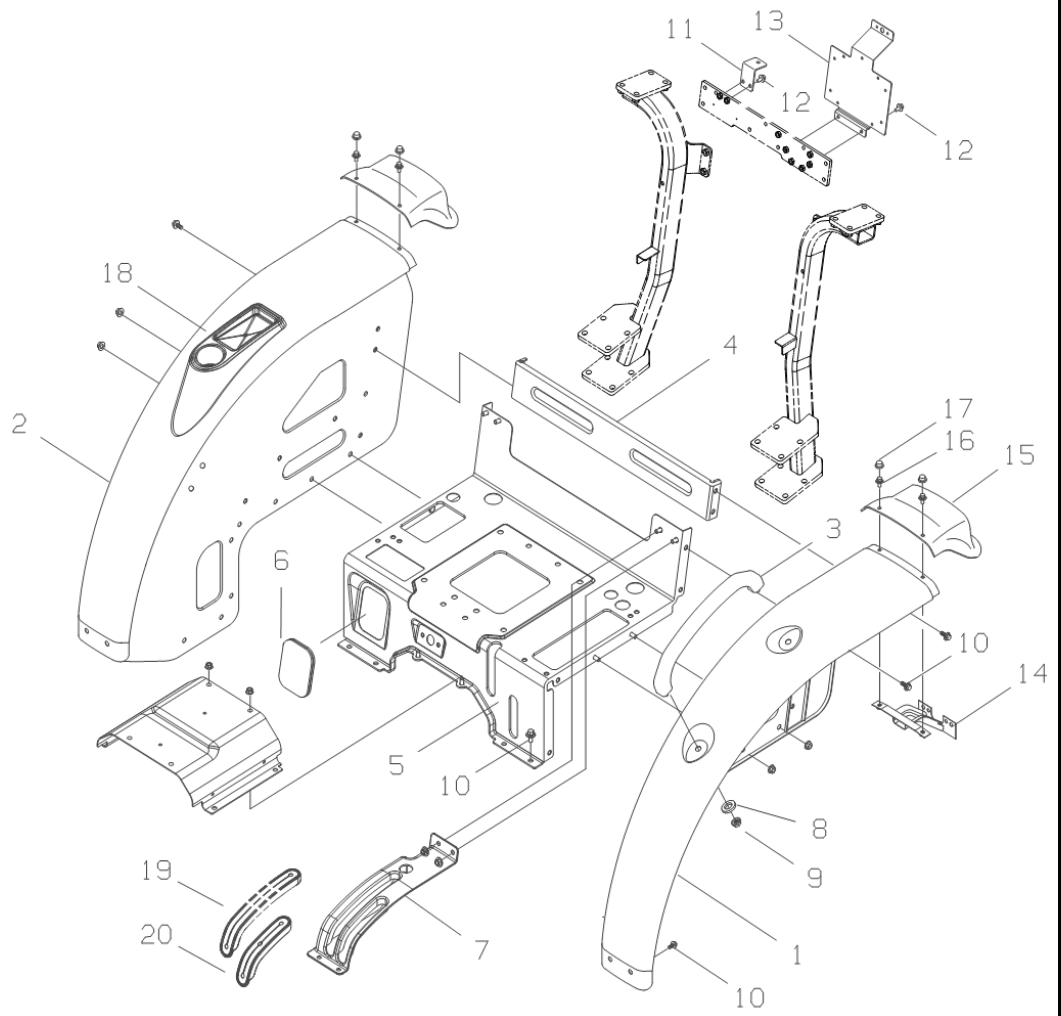




# FENDER

FIG. 10-14B-4

G. 870



# FENDER

A-NOT AVAILABLE / B-i28,i36

A-NOT AVAILABLE / B-i28,i36

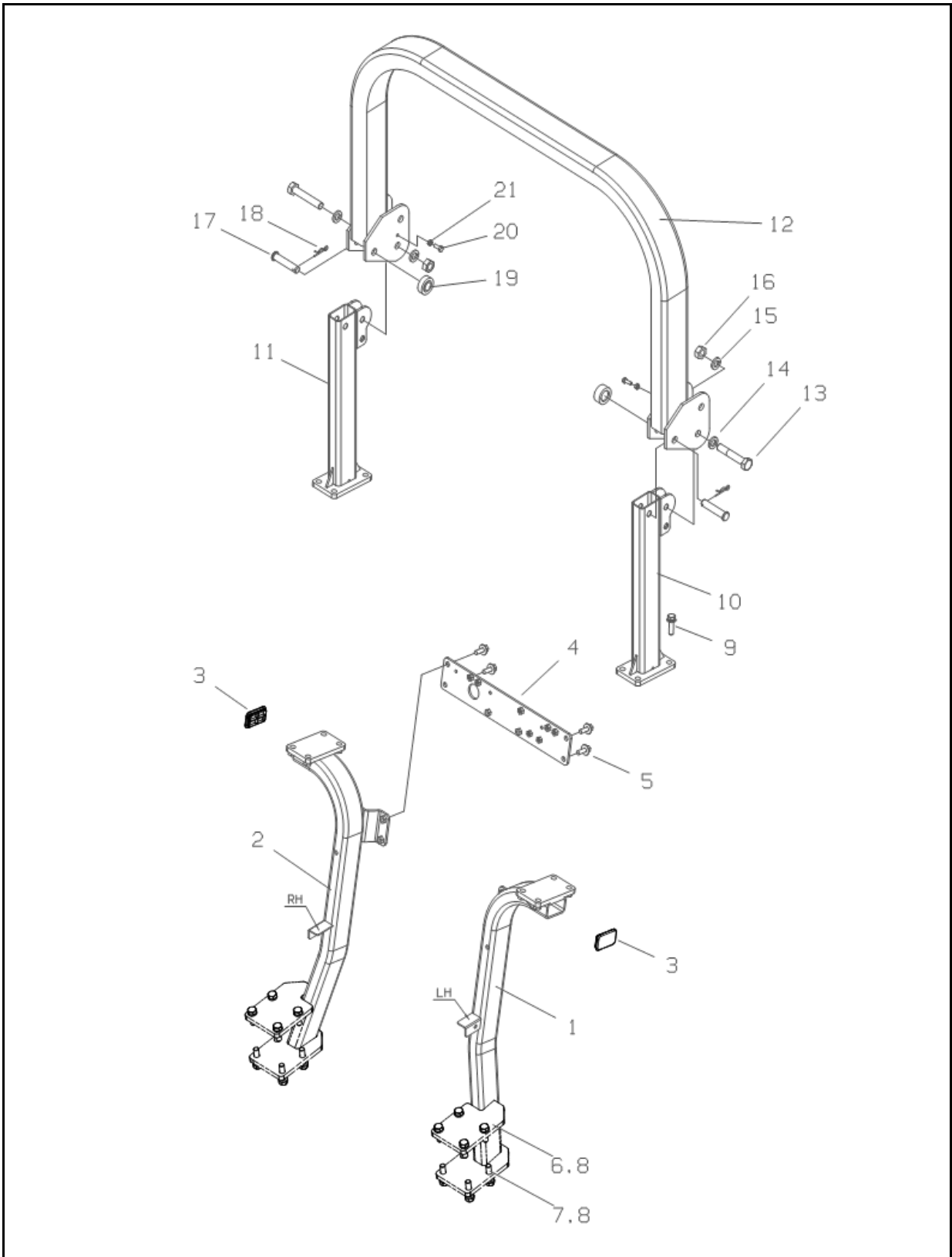
## FIG. 10-14B-4 AG ( HST )

NO.	PART NO.	PART NAME & DESCRIPTION	QTY			APP.NO	REM.
			A	B	C		
1	A1870471	FENDER, LH	1	1			
2	A1870472	FENDER, RH	1	1			
3	A1870410	HANDLE	1	1			
4	A1870406	SUPPORT, FENDER	1	1			
5	A1870470	COVER, CENTER	1	1			
6	A1870454	COVER, DUST MAIN LEVER	1	1			
7	A1870446	GUIDE, LEVER	1	1			
8	S365082013	WASHER, PLN. L-RD.			DI8.4XD20X1.6t	4	4
9	S345080013	NUT, FLANGE B-TY.			M8X1.25	12	12
10	S159082033	BOLT, HEX. W/WASHER			M8X1.25	31	31
11	A1870375	BRACKET, WORKING LIGHT	1	1			
12	S159082533	BOLT, HEX. W/WASHER	4	4			
13	A1920068	BRACKET, NUMBER	1	1			EC
14	A1870408	BRACKET, EXTENTION	2	2			
15	A1870407	EXTENTION, REAR	2	2			
16	S159061613	BOLT, HEX. W/WASHER	4	4			
17	A1830653	CAP, BOLT	4	4			
18	A1870443	HOLDER, CUP	1	1			
19	A1870448	SEAL, PTO LEVER	1	1			
20	A1870447	SEAL, RANGE SEVER	1	1			

# ROPS

FIG. 10-15B

G. 880



# ROPS

A-NOT AVAILABLE / B-i28,i36

A-NOT AVAILABLE / B-i28,i36

**FIG. 10-15B**

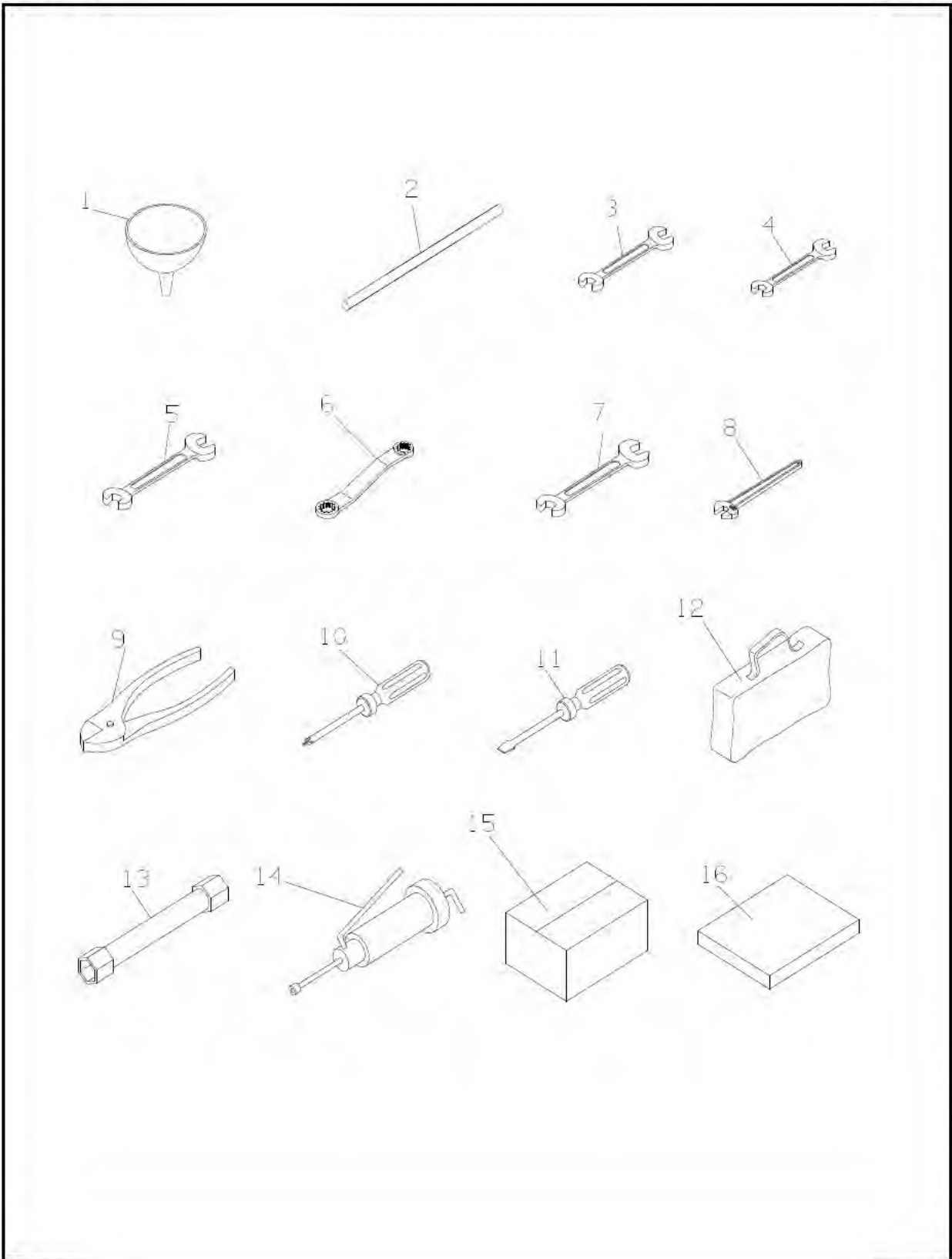
**( R/ROPS )**

NO.	PART NO.	PART NAME & DESCRIPTION	QTY			APP.NO	REM.
			A	B	C		
1	A1880148	FRAME, ROPS LOWER LH	1	1			
2	A1880149	FRAME, ROPS LOWER RH	1	1			
3	A1880155	COVER, RUBBER	2	2			
4	A1880158	FRAME, ROPS REAR	1	1			
5	S154102533	BOLT, HEX. W/WASHER	4	4			
6	S101144043	BOLT, HEX	8	8			
7	S101145043	BOLT, HEX	6	6			
8	S361140013	WASHER, SPR. I-TY	14	14			
9	S155124533	BOLT, HEX. W/WASHER	8	8			
10~21	A1880151	ROPS UPPER ASSY	1	1			
10	A1880153	PILLAR MID LH, REAR ROPS	1	1			
11	A1880154	PILLAR MID RH, REAR ROPS	1	1			
12	A1880152	FRAME, ROPS UPPER	1	1			
13	S101148043	BOLT, HEX	2	2			
14	S363140013	WASHER, PLN. S-RD.	2	2			
15	S361140013	WASHER, SPR. 1-TY.	2	2			
16	S301140043	NUT, HEX. 1-TY.	2	2			
17	S427148023	PIN, HEAD B-TY	2	2			
18	S443140013	PIN, SNAP A-TY.	2	2			
19	A1877077	RUBBER, LOWER	2	2			
20	S163062043	BOLT, HEX. F-THRD.	2	2			
21	S301060043	NUT, HEX. 1-TY.	2	2			

# TOOL

FIG. 11-1

G. 920





# TOOL

A-NOT AVAILABLE / B-i28,i36

A-NOT AVAILABLE / B-i28,i36

**FIG. 11-1**

NO.	PART NO.	PART NAME & DESCRIPTION		QTY			APP.NO	REM.
				A	B	C		
1	A0770017	FUNNEL		1	1			
2~13	A1920001	TOOL KIT, TRACTOR	FOR 39,45,51	1	1			
2	3A0010200	TOMMY BAR	D15X350	1	1			
3	A0770026	SPANNER (12X14)	12 X 14	1	1			
4	A0770028	SPANNER (17X19)	17X19	1	1			
5	A0770030	SPANNER, DOUBLE END	22X24	1	1			
6	A0770049	WRENCH	22X24	1	1			
7	A14583371	SPANNER, DOUBLE END	10X13 H HRC	1	1			
8	A14584300	SPANNER, MONKEY	300MM	1	1			
9	A14584400	PLIER	200MM	1	1			
10	A14584500	DRIVER (+)	#3-150 H	1	1			
11	A14584600	DRIVER (-)	6X100 H	1	1			
12	A1920004	TOOL BAG		1	1			
13	A1970227	SPANNER, BOX (24X27)	24X27	1	1			
14	A1970224	GUN, GREASE	TOP TYPE(400	1	1			
15	A500350160	CARTON BOX (TRACTOR)	500*350*160	1	1			
16	A1920084	MANUAL, USER		1	1			

# DECAL

# DECAL

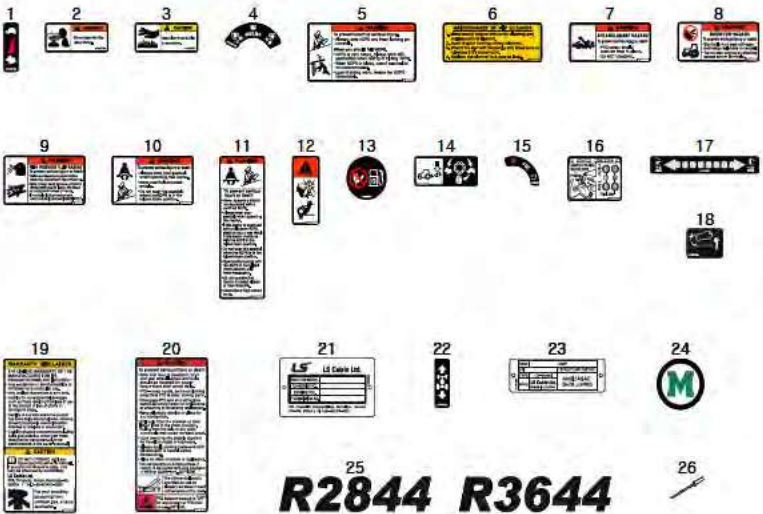
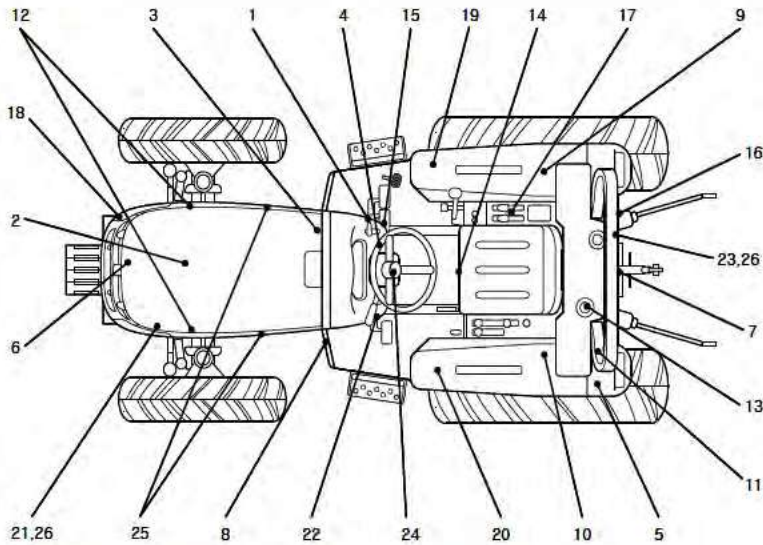
A-NOT AVAILABLE / B-I28,36

A-NOT AVAILABLE / B-I28,36

FIG. 12-1F

G. 980 FIG. 12-1F

( MEC )



NO.	PART NO.	PART NAME & DESCRIPTION	QTY			APP. NO	REM.
			A	B	C		
01	A1980722	DECAL, ACC. LEVER	1	1			
02	A1980734	DECAL, WARNING	1	1			
03	A1980736	DECAL, CAUTION	1	1			
04	A1980818	DECAL, PTO SELECTOR	1	1			
05	A1980891	DECAL, ROPS WARNING	1	1			
06	A1980932	DECAL, AIR CLEANER	1	1			
07	A1980935	DECAL, PTO WARNING	1	1			
08	A1980936	DECAL, START WARNING	1	1			
09	A1980937	DECAL, HYD. OIL WARNING	1	1			
10	A1980940	DECAL, FRAME SEATBELT WARNING	1	1			
11	A1980941	DECAL, ROPS WARNING	1	1			
12	A1980999	DECAL, FAN/BELT WARNING	2	2			
13	A1981000	DECAL, FUEL	1	1			
14	A1981018	DECAL, FLOW CONTROL	1	1			
15	A1981029	DECAL, KEY SWITCH (R)	1	1			
16	A1981037	DECAL, AUX. CONTROL	1	1			
17	A1981064	DECAL, HYD. POSITION & DRAFT	1	1			
18	A1981065	DECAL, HOOD OPEN (RH)	1	1			
19	A1981075	DECAL, WARRANTY	1	1			
20	A1981076	DECAL, DRIVER CAUTION (E)	1	1			
21	A1980943	NAME PLATE	1	1			
22	A1980721	DECAL, F-R CHANGE	1	1			
23	A1981097	NAME PLATE, ROPS (38RF)	1	1			
24	A1981038	DECAL, MONTANA EMBLEM (HANDLE)	1	1			
25	A1981166	DECAL, MODEL NAME (R2844)	2	*			
	A1981168	DECAL, MODEL NAME (R3644)	*	2			
26	S466321010	RIVET, BLIND	4	4			

DECAL

DECAL

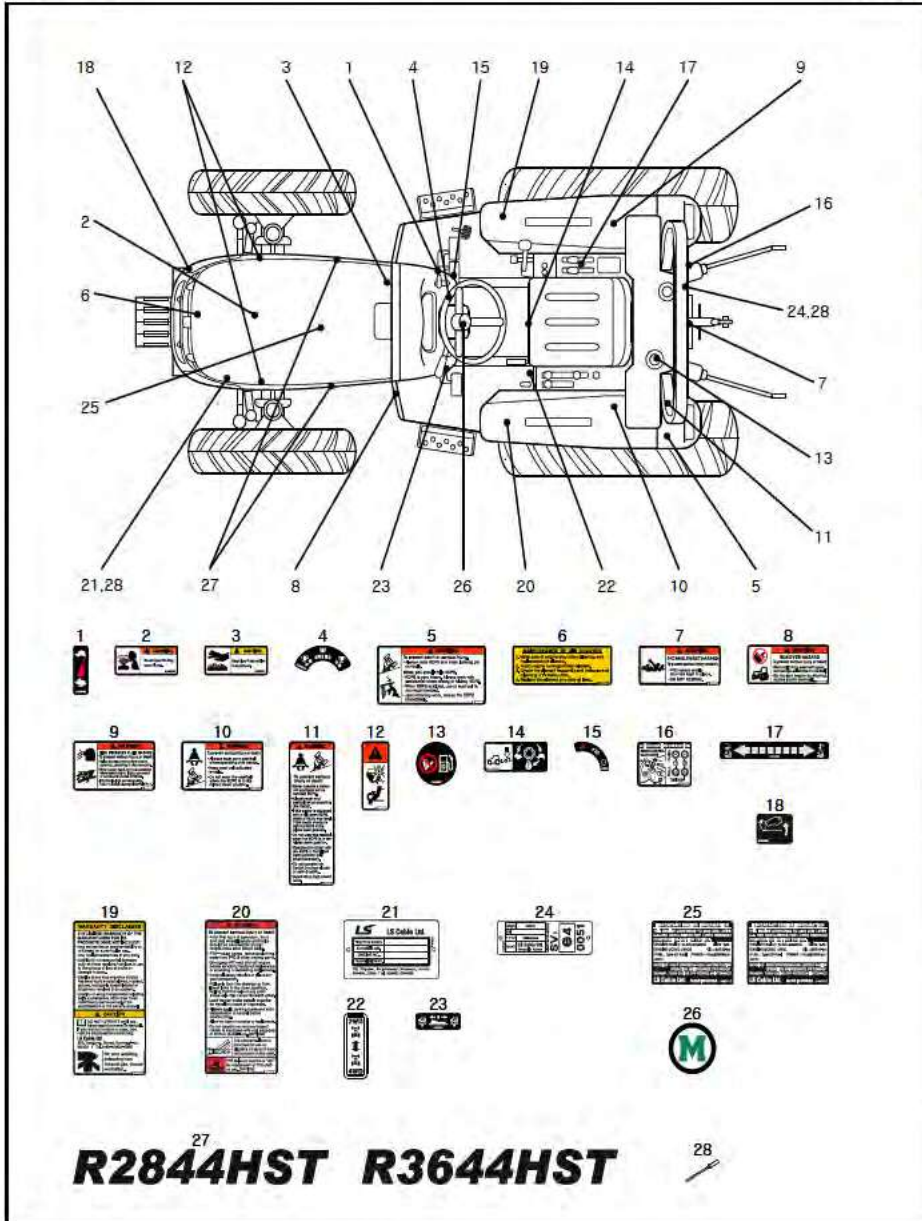
A-NOT AVAILABLE / B-I28,36

A-NOT AVAILABLE / B-I28,36

FIG. 12-1G

G. 980 FIG. 12-1G

( HST )



NO.	PART NO.	PART NAME & DESCRIPTION	QTY			APP. NO	REM.
			A	B	C		
01	A1980722	DECAL, ACC. LEVER	1	1			
02	A1980734	DECAL, WARNING	1	1			
03	A1980736	DECAL, CAUTION	1	1			
04	A1980818	DECAL, PTO SELECTOR	1	1			
05	A1980891	DECAL, ROPS WARNING	1	1			
06	A1980932	DECAL, AIR CLEANER	1	1			
07	A1980935	DECAL, PTO WARNING	1	1			
08	A1980936	DECAL, START WARNING	1	1			
09	A1980937	DECAL, HYD. OIL WARNING	1	1			
10	A1980940	DECAL, FRAME SEATBELT WARNING	1	1			
11	A1980941	DECAL, ROPS WARNING	1	1			
12	A1980999	DECAL, FAN/BELT WARNING	2	2			
13	A1981000	DECAL, FUEL	1	1			
14	A1981018	DECAL, FLOW CONTROL	1	1			
15	A1981029	DECAL, KEY SWITCH (R)	1	1			
16	A1981037	DECAL, AUX. CONTROL	1	1			
17	A1981064	DECAL, HYD. POSITION & DRAFT	1	1			
18	A1981065	DECAL, HOOD OPEN (RH)	1	1			
19	A1981075	DECAL, WARRANTY	1	1			
20	A1981076	DECAL, DRIVER CAUTION (E)	1	1			
21	A1980943	NAME PLATE	1	1			
22	A1980573	DECAL, 4WD	1	1			
23	A1981031	DECAL, CRUISE CONRTOL	1	1			
24	A1981032	NAME PLATE, ROPS (R45RF)	1	1			
25	A1981114	DECAL, EPA (S4QS)	1	*			
	A1981115	DECAL, EPA (S4QL)	*	1			
26	A1981038	DECAL, MONTANA EMBLEM (HANDLE)	1	1			
27	A1981167	DECAL, MODEL NAME (R2844HST)	2	*			
	A1981169	DECAL, MODEL NAME (R3644HST)	*	2			
28	S466321010	RIVET, BLIND	4	4			

# 엔진 부품

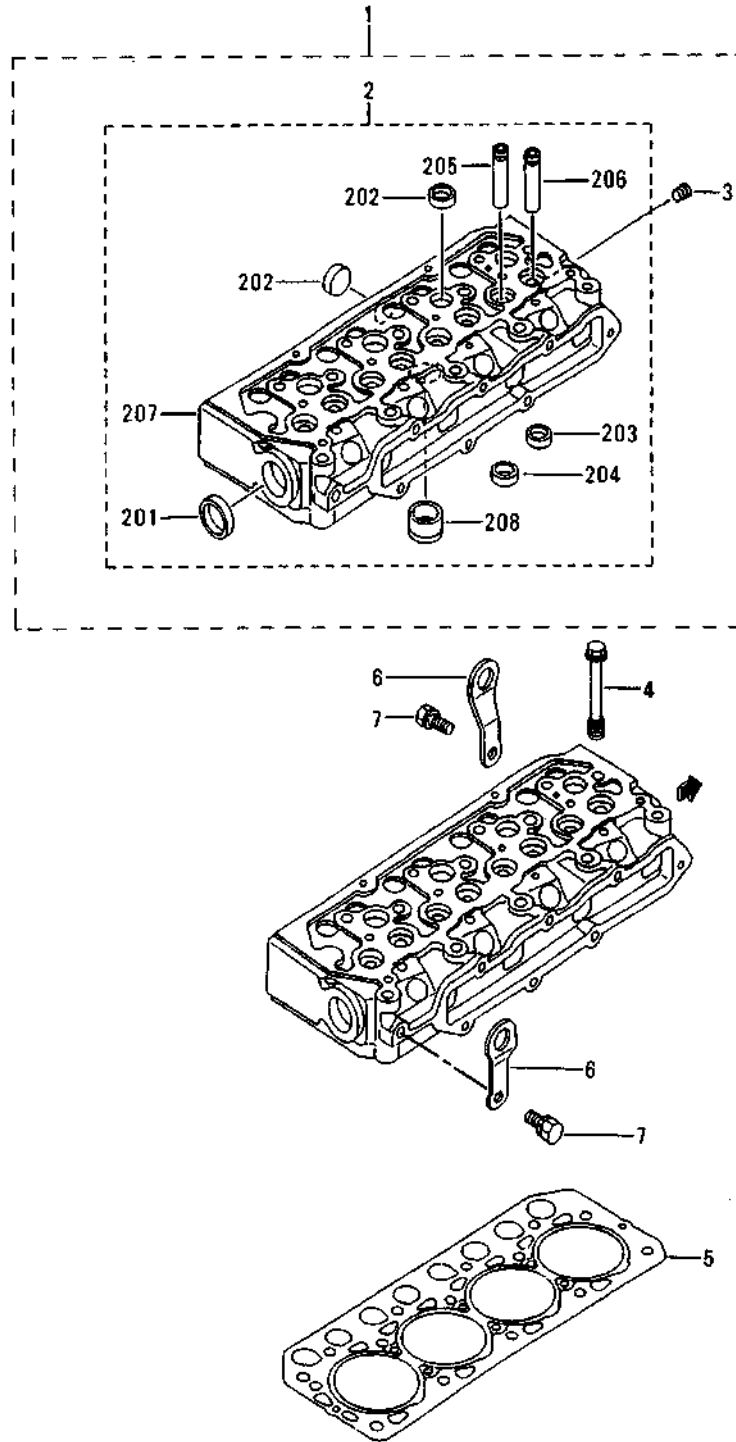
---

## ■ i28, i36

실린더 헤드	FIG. 01-01
밸브 메커니즘	FIG. 04-01
록커 커버, 캠축	FIG. 04-02
크랭크케이스 조립체	FIG. 07-01
크랭크케이스	FIG. 07-02
크랭크케이스	FIG. 11
오일팬	FIG. 13
메인 무빙 파트	FIG. 17
타이밍 기어	FIG. 23
흡기, 배기 다지관	FIG. 30
오일 펌프	FIG. 35
오일 시스템	FIG. 36
냉각 시스템	FIG. 45
연료 시스템	FIG. 61-01
노즐, 노즐 홀더	FIG. 61-02
분사 펌프	FIG. 61-03-01
연료 필터	FIG. 62
가버너	FIG. 63-01
가버너	FIG. 63-01
전장 파트	FIG. 66-01
스타터	FIG. 66-02
컨트롤 시스템	FIG. 87
계기	FIG. 90
가스켓 키트	FIG. 94

# CYLINDER HEAD

FIG. 01-01



# CYLINDER HEAD

A-i28 / B-i36

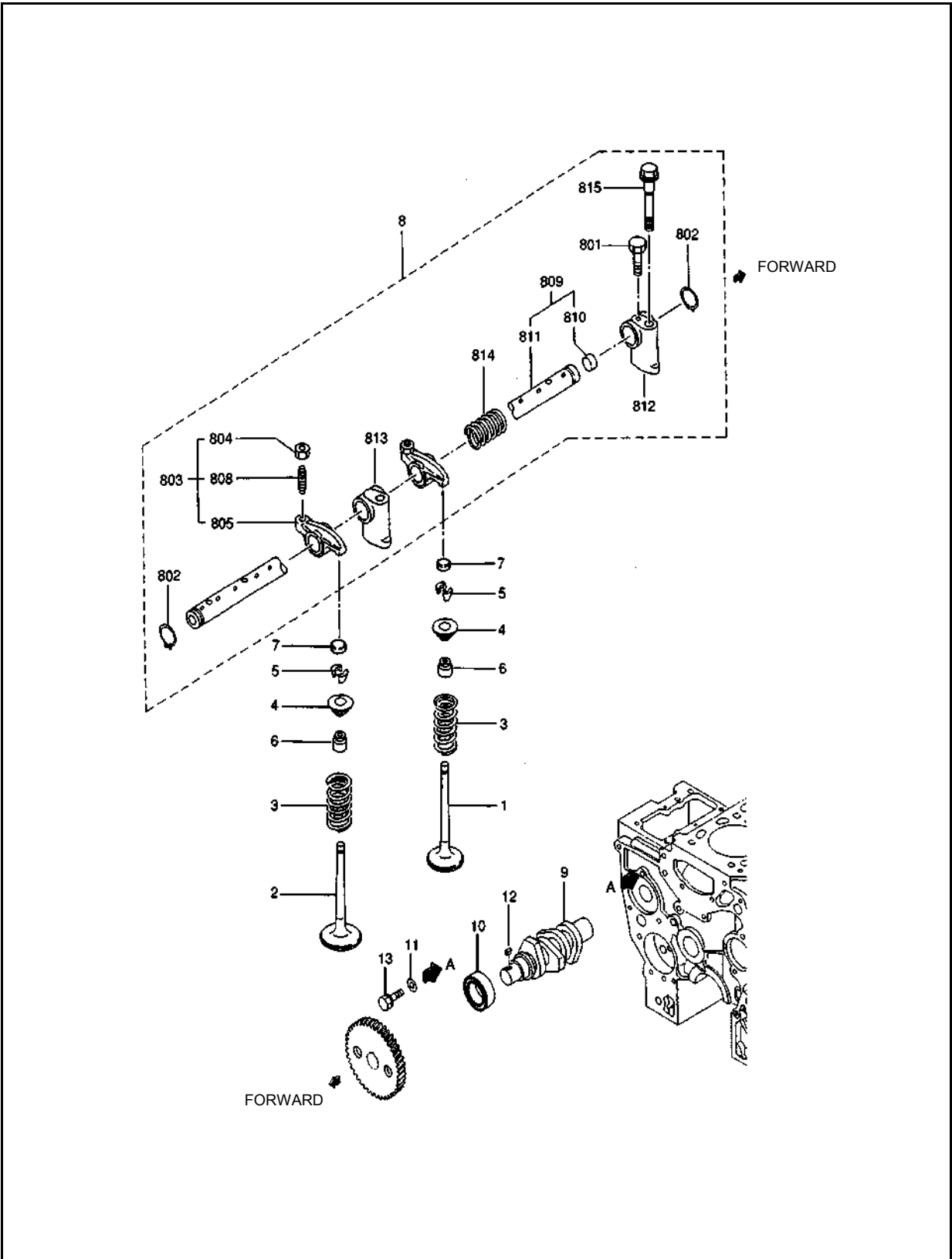
A-i28 / B-i36

**FIG. 01-01**

NO.	PART NO.	PART NAME & DESCRIPTION	QTY			APP.NO	REM.
			A	B	C		
1	31A01-21060	HEAD ASSY, CYLIDER	1	*			
	31A01-51040	HEAD ASSY, CYLIDER	*	1			
2	*	HEAD SUB ASSY	1	1			
01	MD000245	CAP, SEALING	1	1			
02	MF665538	CAP, SEALING	7	7			
03	*	SEAT, VALVE INLET	4	4			
04	*	SEAT, VALVE EXHAUST	4	4			
05	31A01-02500	GUIDE, EXHAUST VALVE	4	4			
06	31A01-02600	GUIDE, INLET VALVE	4	4			
07	*	CYLINDER HEAD	1	1			
08	31A03-01101	JET, COMBUSTION	1	*			
	31A03-01500	JET, COMBUSTION	*	4			
3	MS661140	PLUG, TAPER	1	1			
4	31A01-11100	BOLT, CYLINDER HEAD	14	14			
5	31A01-33300	GASKET, CYL. HEAD	1	1			
6	MM408470	HANGER, ENGINE	2	2			
7	F1805-10020	BOLT, W/WASHER	2	2			

# VALVE MECHANISM

FIG. 04-01



# VALVE MECHANISM

A-i28 / B-i36

A-i28 / B-i36

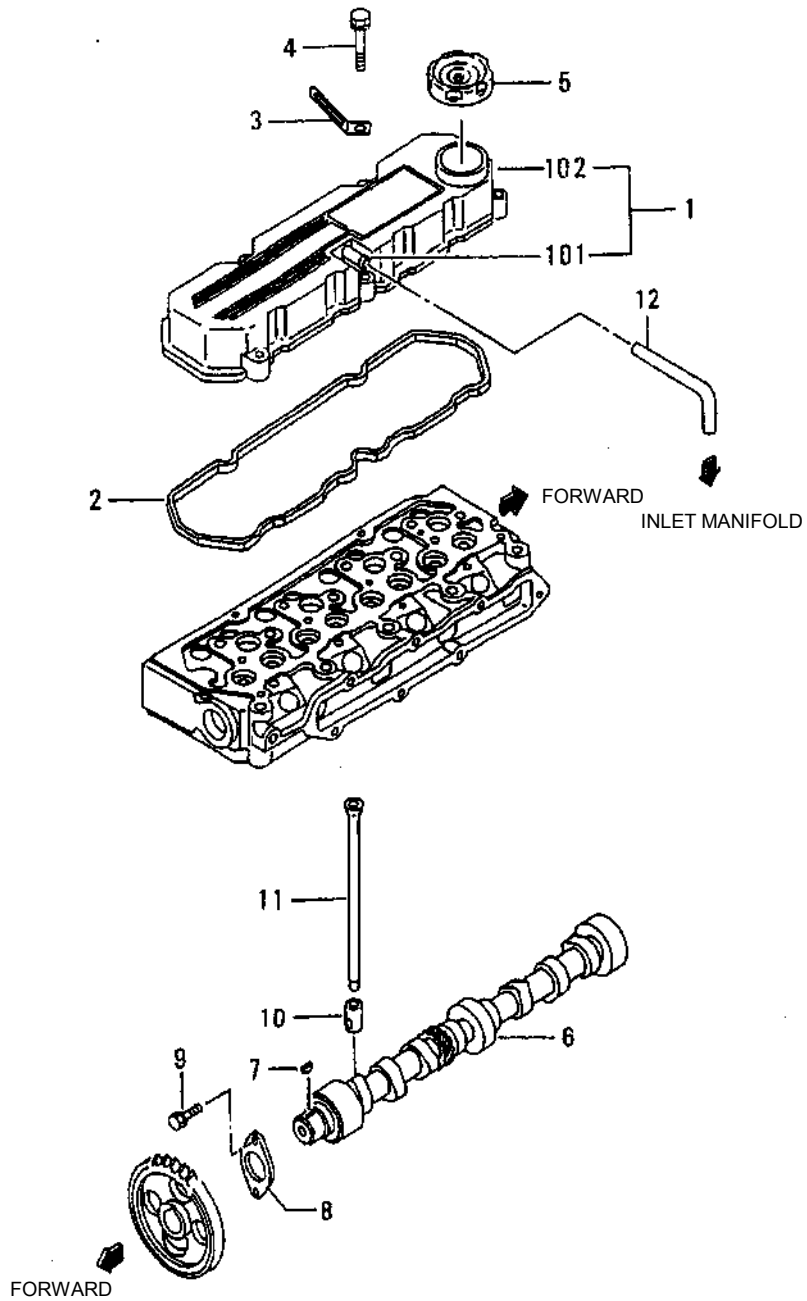
**FIG. 04-01**

NO.	PART NO.	PART NAME & DESCRIPTION	QTY			APP.NO	REM.
			A	B	C		
1	31A04-30100	VALVE, INLET	4	4			
2	31A04-20200	VALVE, EXHAUST	4	4			
3	31A04-01301	SPRING, VALVE	8	8			
4	MM433306	RETAINER, VALVE STEM	8	8			
5	MD016483	VALVE, LOCK	16	16			
6	MD115472	SEAL, VALVE STEM	8	8			
7	31A04-00700	CAP, VALVE	8	8			
8	31A04-30042	ROCKER & SHAFT ASSY	1	1			
01	F1035-05010	BOLT	1	1			
02	MF522010	RING, SNAP	2	2			
03	31A04-11023	ROCKER ASSY	8	8			
04	F2325-08000	NUT, JAM	8	8			
05	*	ROCKER, ARM	8	8			
08	32A04-02400	SCREW, ROCKER	8	8			
09	31A04-21010	SHAFT ASSY, ROCKER	1	1			
10	MD021204	CAP, SEALING	2	2			
11	*	SHAFT, ROCKER	1	1			
12	31A04-34100	BRACKET, ROCKER SHAFT	1	1			
13	31A04-34300	BRACKET, ROCKER SHAFT	3	3			
14	32C04-04500	SPRING, ROCKER	3	3			
15	32C04-06100	BOLT, ROCKER BRACKET	4	4			
9	31A65-11200	SHAFT, FUEL INJ PUMP	1	1			
10	MD703856	BEARING, RADIAL BALL	1	1			
11	MD000425	WASHER	1	1			
12	MF476018	KEY, SUNK	1	1			
13	F1805-08016	BOLT, W/WASHER	1	1			



# ROCKER COVER & CAMSHAFT

FIG. 04-02



# ROCKER COVER & CAMSHAFT

A-i28 / B-i36

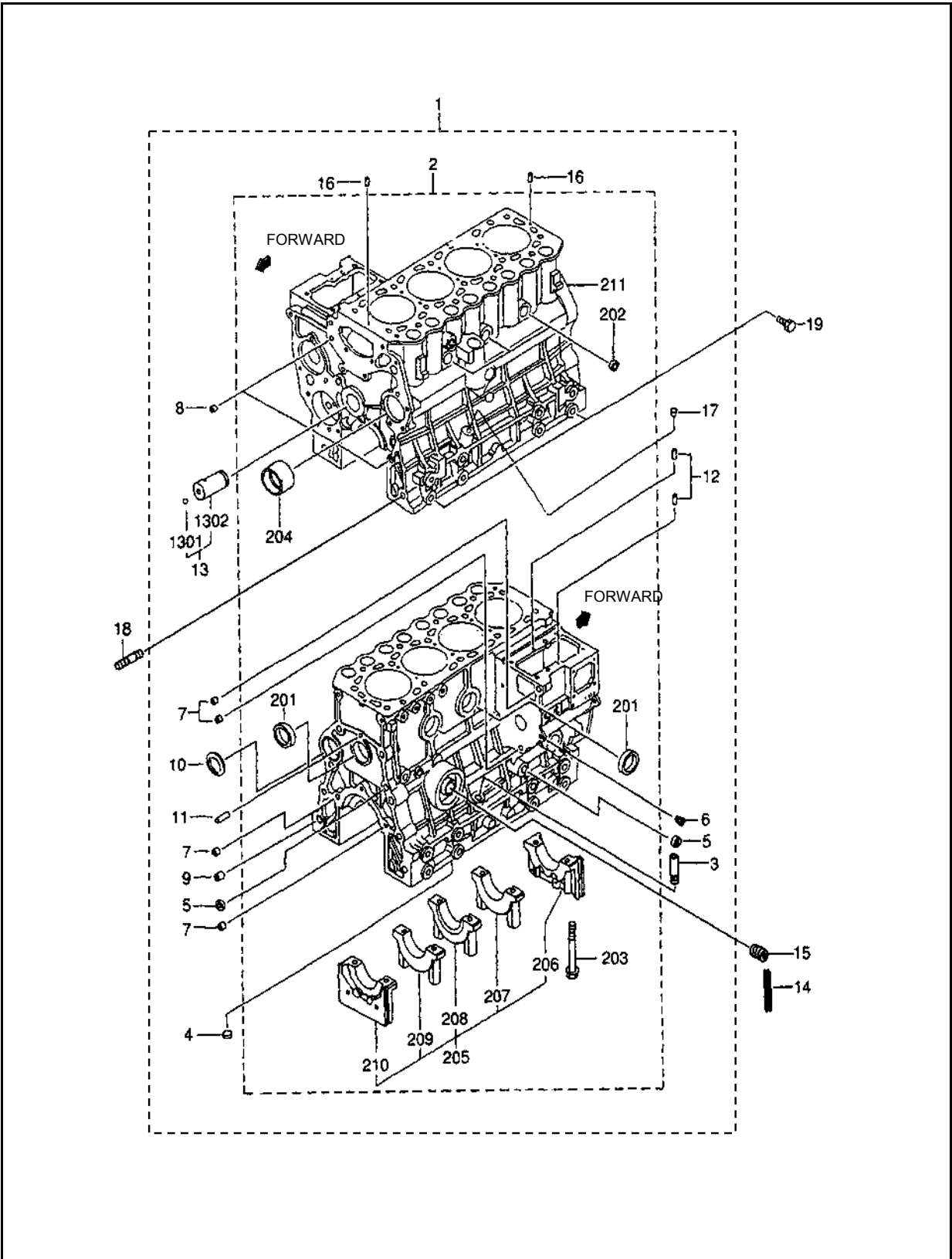
A-i28 / B-i36

**FIG. 04-02**

NO.	PART NO.	PART NAME & DESCRIPTION	QTY			APP.NO	REM.
			A	B	C		
1	31A04-20031	COVER ASSY, ROCKER	1	1			
01	*	PIPE	1	1			
02	*	COVER, ROCKER	1	1			
2	31A04-33202	GASKET, ROCKER COVER	1	1			
3	MS470059	CLIP	1	1			
4	F1805-08040	BOLT, W/WASHER	5	5			
5	MD008784	CAP, OIL FILTER	1	1			
6	31A05-00201	CAMSHAFT	1	1			
7	MF476215	KEY, WOODRUFF	1	1			
8	30405-31402	PLATE, THRUST	1	1			
9	F1805-08016	BOLT, W/WASHER	2	2			
10	MM402737	TAPPET	8	8			
11	31A05-01300	ROD, PUSH	8	8			
12	MM400380	BREATHER, PIPE	1	1			

# CRANKCASE ASSY

FIG. 07-01



# CRANKCASE ASSY

A-i28 / B-i36

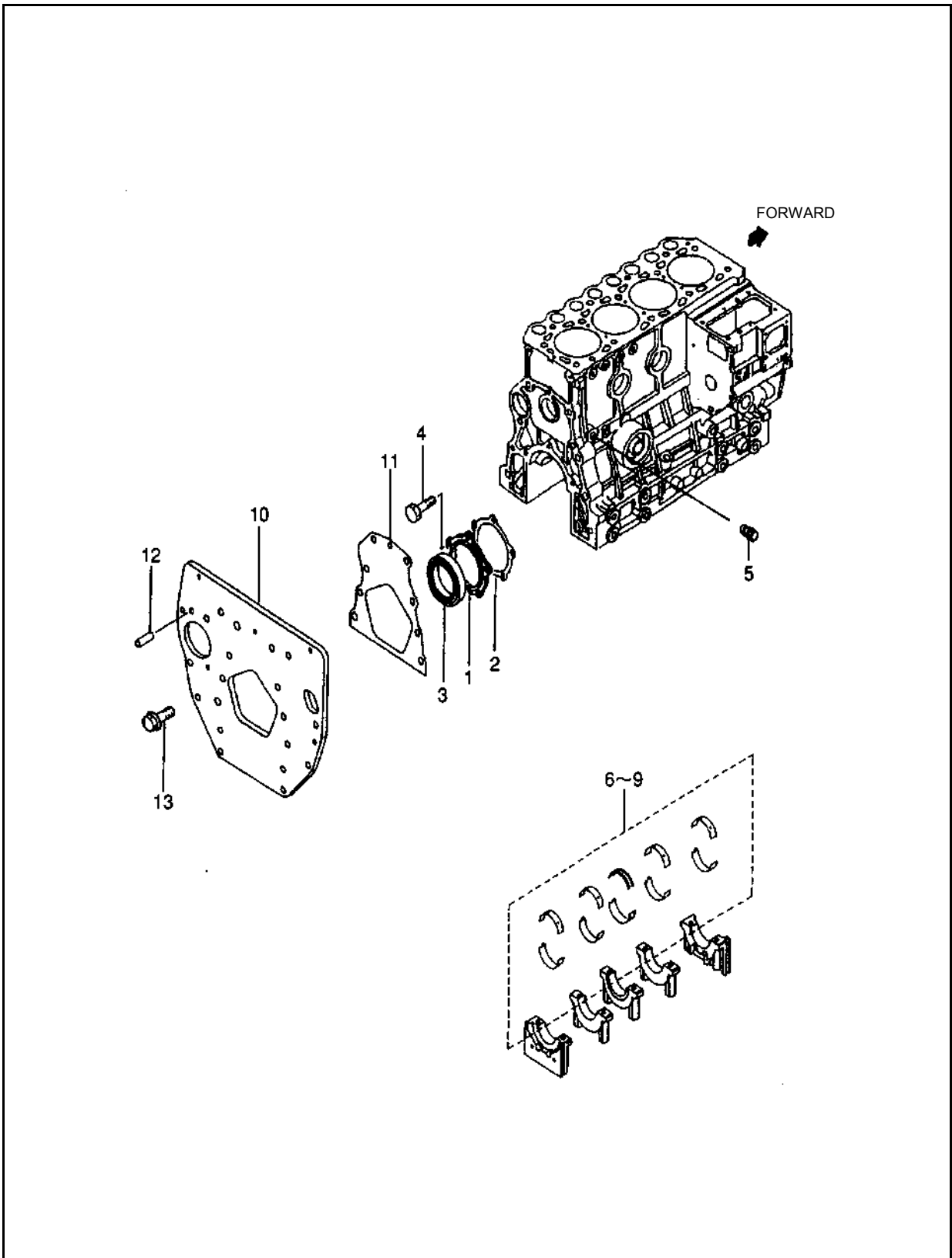
A-i28 / B-i36

**FIG. 07-01**

NO.	PART NO.	PART NAME & DESCRIPTION	QTY			APP.NO	REM.
			A	B	C		
1	31A07-42010	BLOCK ASSY, CYLINDER	1	1			
2	*	BLOCK SUB ASSY, CYL	1	1			
01	04826-22000	CAP, SEALING	3	3			
02	04826-23500	CAP, SEALING	3	3			
03	31A07-00800	BOLT, BEARING, CAP	10	10			
04	31A07-03100	BUSH, CAMSHAFT	1	1			
05	*	CAP SET, METAL	1	1			
06	*	CAP, METAL FRONT	1	1			
07	*	CAP, METAL NO.2	1	1			
08	*	CAP, METAL NO.3	1	1			
09	*	CAP, METAL NO.4	1	1			
10	*	CAP, METAL REAR	1	1			
11	*	BLOCK, CYLINDER	1	1			
3	MM430613	GUIDE, OIL LEVEL	1	1			
4	MF665532	CAP, SEALING(12)	1	1			
5	MF665533	CAP, SEALING(14)	3	3			
6	MS661140	PLUG, TAPER	1	1			
7	MS471104	BUSHING, KNOCK	4	4			
8	MS471105	BUSHING, KNOCK	2	2			
9	MS471110	BUSHING, KNOCK	1	1			
10	MF665511	PLUG, EXPANSION	1	1			
11	MF472404	PIN, DOWEL	1	1			
12	MM409645	PIN, DOWEL	2	2			
13	31A23-00051	SHAFT ASSY, IDLER	1	1			
01	F8000-08000	BALL, STEEL	1	1			
02	*	SHAFT, IDLER	1	1			
14	31A07-12200	SEAL, SIDE	4	4			
15	30L07-00700	SHAFT, OIL FILTER	1	1			
16	F2846-05000	PIN, DOWEL	2	2			
17	MD024256	PLUG, TAPER	1	1			
18	31A07-02500	STUD	2	2			
19	F1035-12025	BOLT	4	4			

# CRANKCASE

FIG. 07-02



# CRANKCASE

A-i28 / B-i36

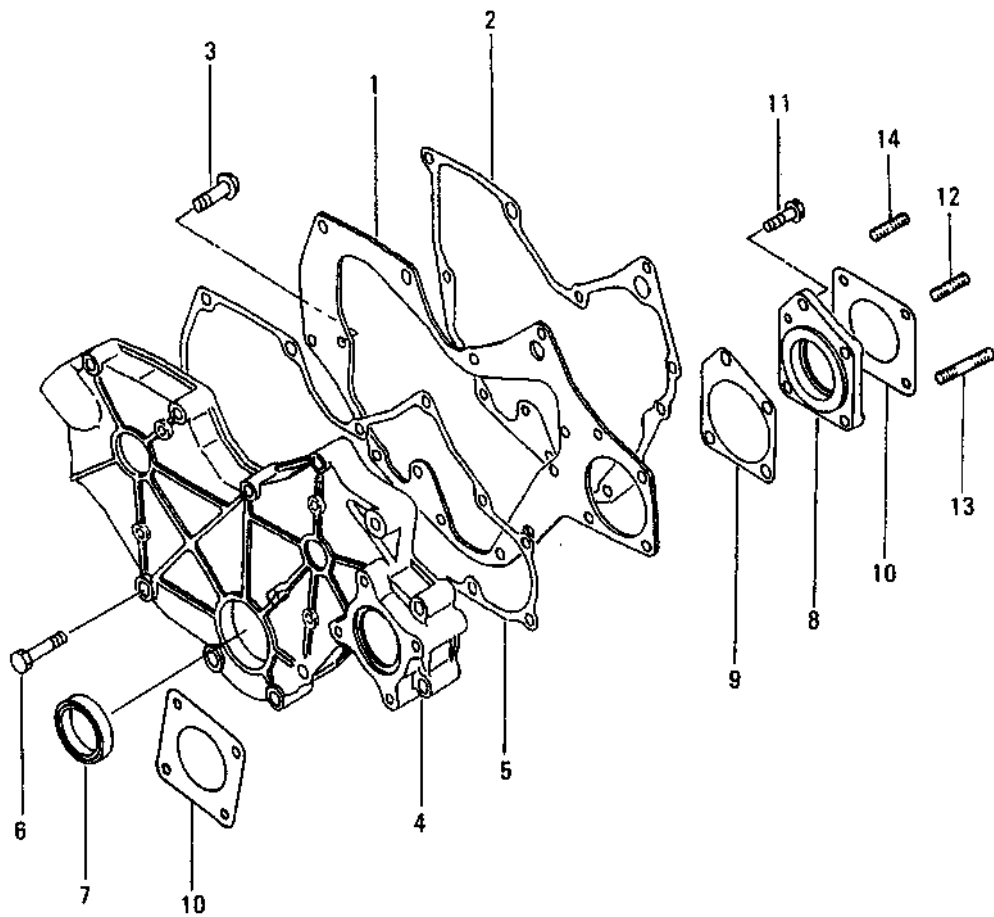
A-i28 / B-i36

**FIG. 07-02**

NO.	PART NO.	PART NAME & DESCRIPTION	QTY			APP.NO	REM.
			A	B	C		
1	31A07-11601	CASE, OIL SEAL	1	1			
2	31A07-11701	GASKET, OIL SEAL CASE	1	1			
3	31A07-02300	SEAL, OIL	1	1			
4	F1035-08020	BOLT	5	5			
5	MD000269	PLUG, TAPER	1	1			
6	MM437313	METAL SET	1	1			STD
7	MM437884	METAL SET	1	1			U.S 0.25
8	MM437885	METAL SET	1	1			U.S 0.50
9	MM437886	METAL SET	1	1			U.S 0.75
10	31A07-04500	PLATE, REAR	1	1			
11	31A07-02401	GASKET, REAR	1	1			
12	MM408245	PIN, KNOCK	2	2			
13	31A08-04101	BOLT, FLANGE	10	10			

# TIMING GEAR CASE

FIG. 11



# TIMING GEAR CASE

A-i28 / B-i36

A-i28 / B-i36

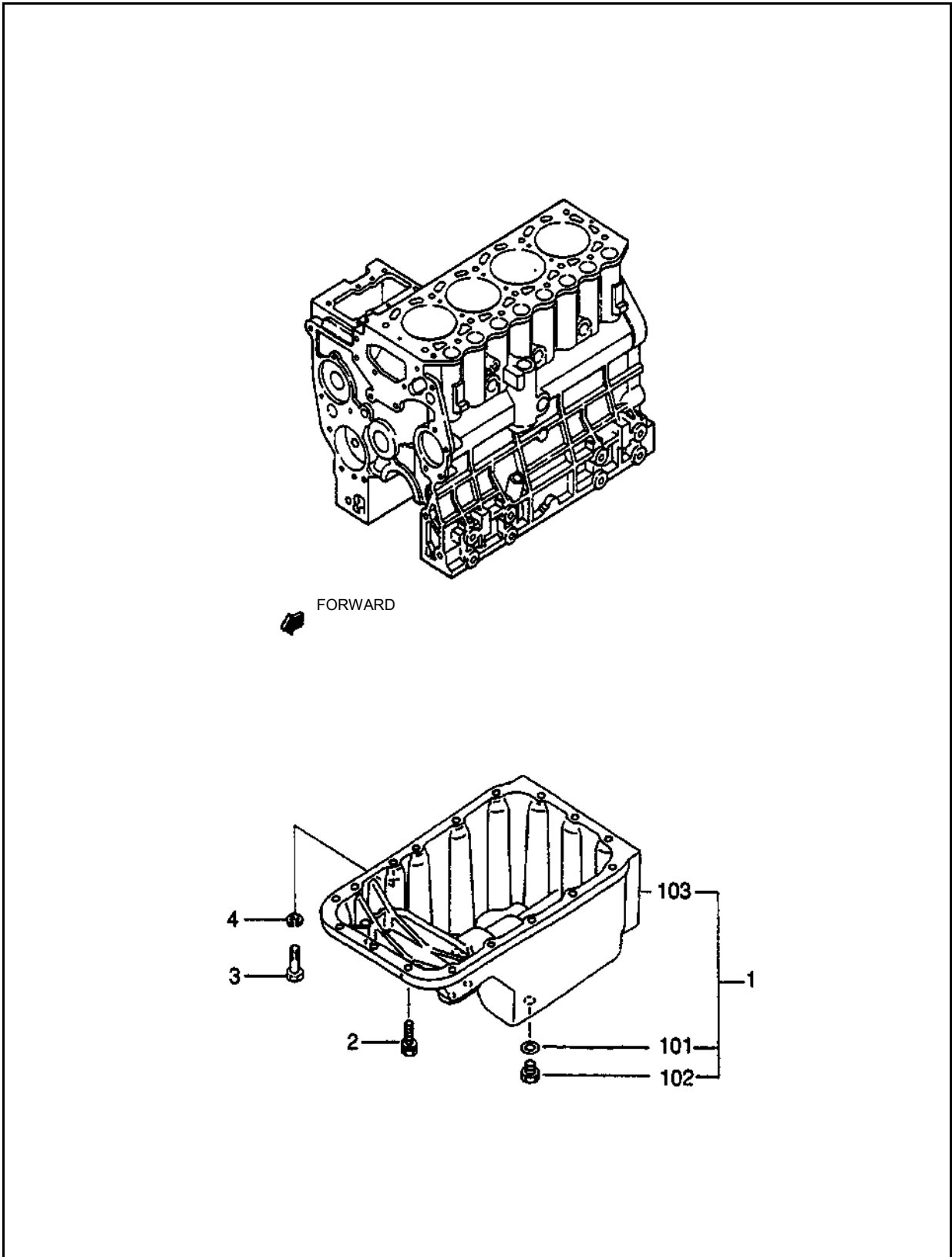
**FIG. 11**

NO.	PART NO.	PART NAME & DESCRIPTION	QTY			APP.NO	REM.
			A	B	C		
1	31A11-02100	PLATE, FRONT	1	1			
2	31A07-11901	GASKET, FRONT PLATE	1	1			
3	F1805-08016	BOLT, W/WASHER	5	5			
4	31A11-00800	CASE, GEAR PTO	1	1			
5	31A11-11101	GASKET, GEAR	1	1			
6	F1035-08045	BOLT	8	8			
7	MD008762	SEAL, OIL	1	1			
8	31A11-05101	HOUSING, GEAR	1	1			
9	31A11-05201	GASKET, HOUSING	1	1			
10	MM401-20601	GASKET, O/PUMP COVER	2	2			
11	F1805-08030	BOLT, W/WASHER	1	1			
12	MF401936	STUD(8X25)	1	1			
13	MS401335	STUD(8X45)	1	1			
14	MF401935	STUD(8X22)	2	2			



# OIL PAN

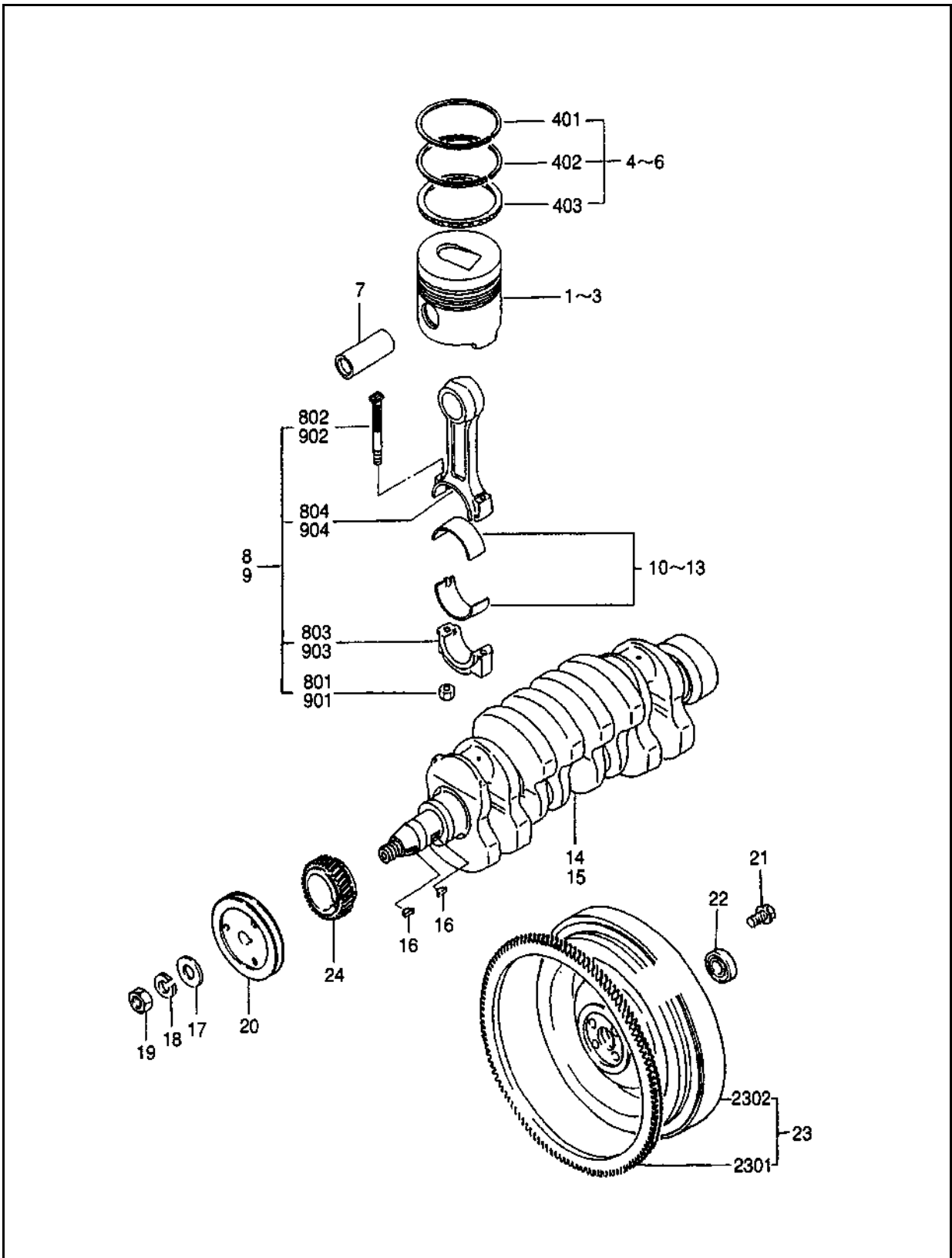
FIG. 13





# MAIN MOVING PARTS

FIG. 17



# MAIN MOVING PARTS

A-i28 / B-i36

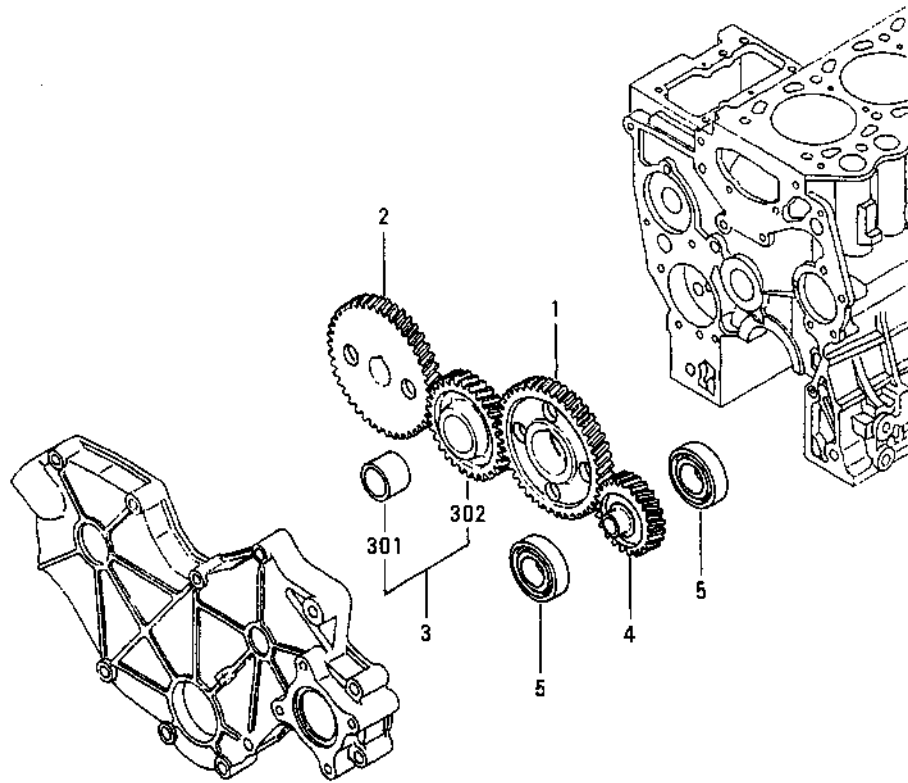
A-i28 / B-i36

**FIG. 17**

NO.	PART NO.	PART NAME & DESCRIPTION		QTY			APP.NO	REM.
				A	B	C		
1	31A17-11100	PISTON	STD	4	4			
2	31A17-11200	PISTON	O.S 0.25	4	4			
3	31A17-11300	PISTON	O.S 0.50	4	4			
4	MM433921	RING SET, PISTON	STD	4	4			
01	*	RING, PISTON NO.1		4	4			
02	*	RING, PISTON NO.2		4	4			
03	*	RING ASSY, OIL		4	4			
5	MM433922	RING SET, PISTON	O.S 0.25	4	4			
6	MM433923	RING SET, PISTON	O.S 0.50	4	4			
7	31A17-10600	PIN, PISTON		4	4			
8	31A19-10021	ROD ASSY, CONNECTING		4	*			
01	MD006704	NUT, CONNECTING ROD		8	*			
02	MD021105	BOLT, CONNECTING ROD		8	*			
03	*	CAP, CONNECTING ROD		4	*			
04	*	ROD, CONNECTING		4	*			
9	31A19-01021	ROD ASSY, CONNECTING		*	4			
01	MD006704	NUT, CONNECTING ROD		*	8			
02	MD021105	BOLT, CONNECTING ROD		*	8			
03	*	CAP, CONNECTING ROD		*	4			
04	*	ROD, CONNECTING		*	4			
10	MM437305	METAL SET, CON-ROD	STD	4	4			
11	30A19-00010	METAL SET, CON-ROD	U.S 0.25	4	4			
12	30A19-00020	METAL SET, CON-ROD	U.S 0.50	4	4			
13	30A19-00030	METAL SET, CON-ROD	U.S 0.75	4	4			
14	31A20-00102	CRANKSHAFT		1	*			
15	31A20-00200	CRANKSHAFT		*	1			
16	MF476215	KEY, WOODRUFF		2	2			
17	MF450010	WASHER, PLAIN		1	1			
18	MF450410	WASHER, SPRING		1	1			
19	MF430126	NUT		1	1			
20	31A20-22100	PULLEY, CRANKSHAFT		1	1			
21	MD952231	BOLT, DRIVE PLATE		4	4			
22	MD002613	BEARING, BALL		1	1			
23	31A21-01070	FLYWHEEL SUB ASSY		1	1			
01	MD024812	GEAR, RING		1	1			
02	*	FLYWHEEL		1	1			
24	31A23-01302	GEAR, CRANKSHAFT		1	1			

# TIMING GEAR

FIG. 23



# TIMING GEAR

A-i28 / B-i36

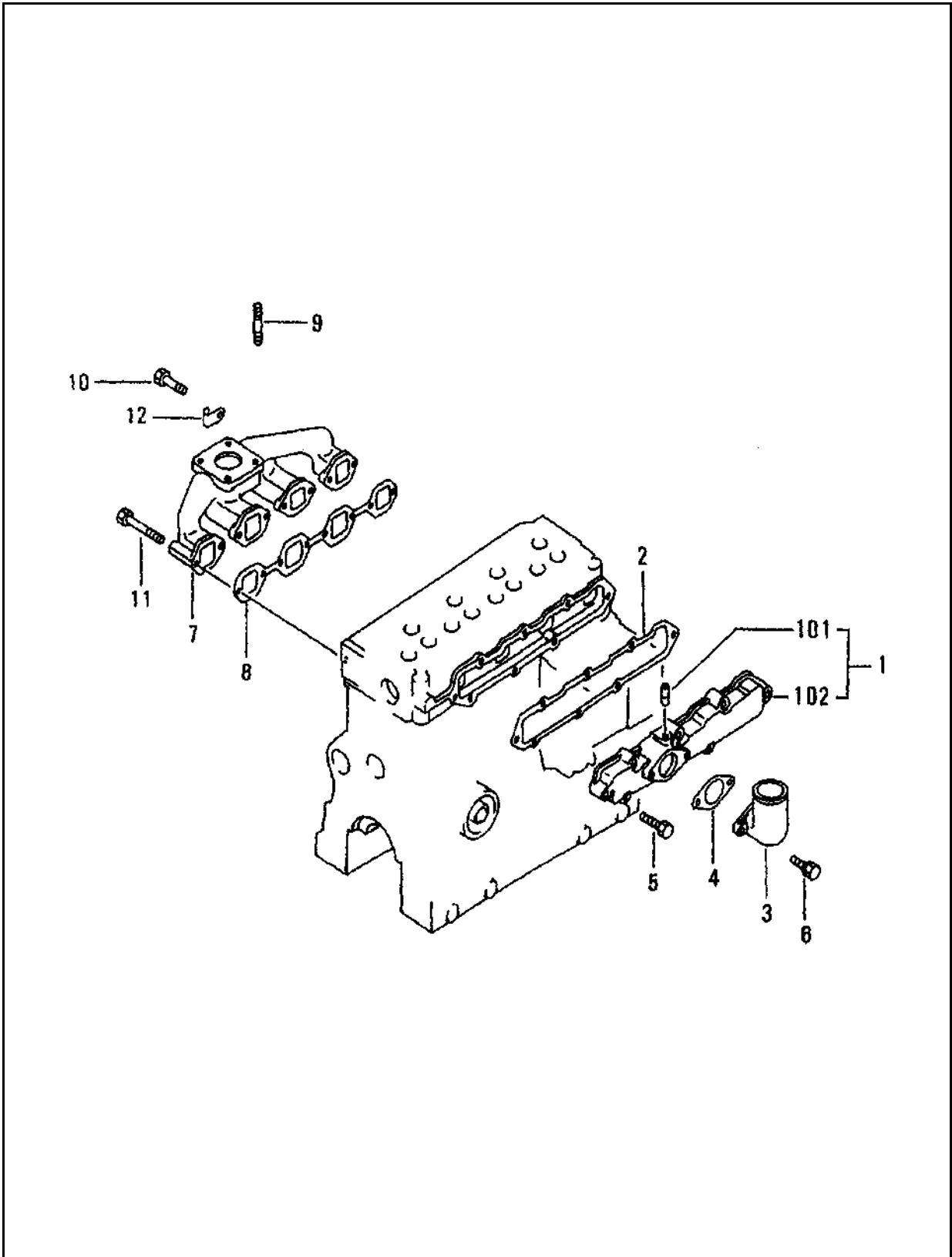
A-i28 / B-i36

**FIG. 23**

NO.	PART NO.	PART NAME & DESCRIPTION		QTY			APP.NO	REM.
				A	B	C		
1	31A23-01404	GEAR, CAMSHAFT	STD	1	1			
2	31A23-10101	GER, INJECTION PUMP	O.S 0.25	1	1			
3	31A23-01023	GEAR ASSY, IDLER	O.S 0.50	1	1			
01	*	BUSHING, IDLER GEAR		1	1			
02	*	GEAR, IDLER		1	1			
4	31A23-01502	GEAR, PRESS OIL PUMP		1	1			
5	MD712517	BEARING, REAR		2	2			

# INLET & EXHAUST MANIFOLD

FIG. 30



# INLET & EXHAUST MANIFOLD

A-i28 / B-i36

A-i28 / B-i36

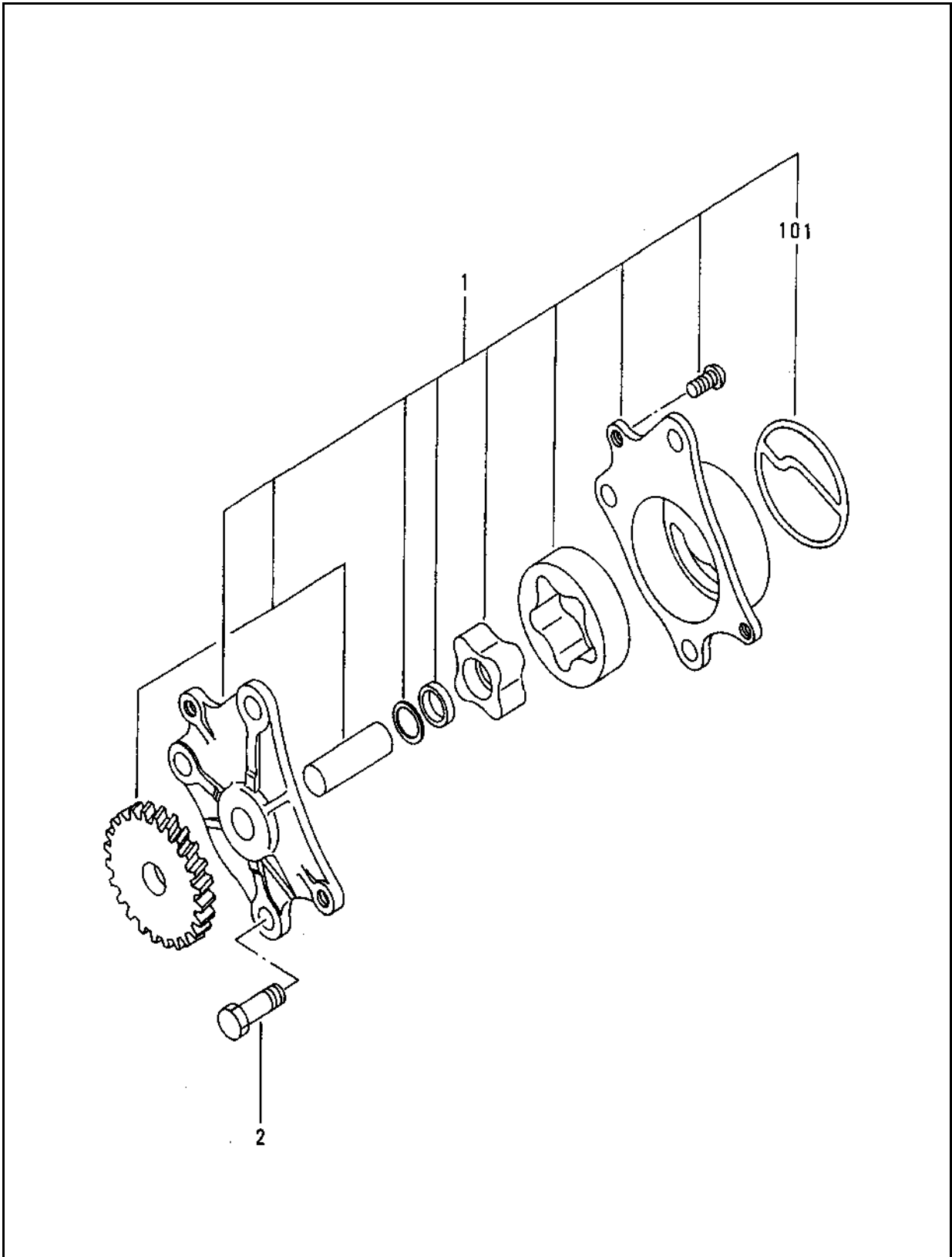
**FIG. 30**

NO.	PART NO.	PART NAME & DESCRIPTION	QTY			APP.NO	REM.
			A	B	C		
1	31A30-20010	COVER ASSY, INLET	1	1			
01	*	PIPE	1	1			
02	*	COVER, INLET	1	1			
2	31A30-10902	GASKET, INLET COVER	1	1			
3	31A30-00300	PIPE, INLET	1	1			
4	31A30-00801	GASKET, INLET PIPE	1	1			
5	F1805-08035	BOLT, W/WASHER	8	8			
6	F1805-08020	BOLT, W/WASHER	2	2			
7	31A32-00402	MANIFOLD ASSY, EXH	1	1			
8	31A32-01200	GASKET, EXHAUST	1	1			
9	MF401936	STUD(8X25)	4	4			
10	F1035-08020	BOLT	6	6			
11	F1035-08055	BOLT	2	2			
12	31A32-02100	CLAMP	1	1			



# OIL PUMP

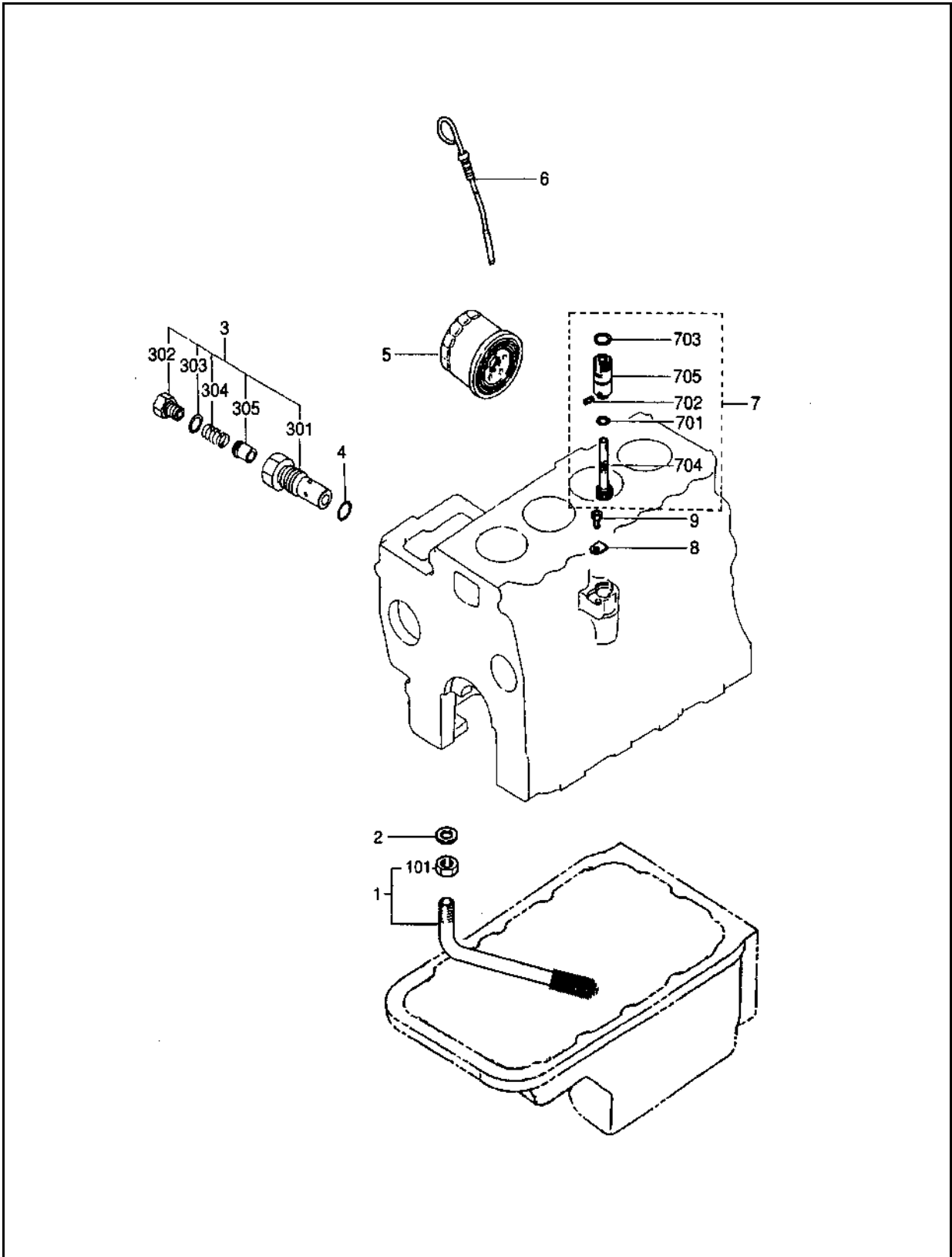
FIG. 35





# OIL SYSTEM

FIG. 36



# OIL SYSTEM

A-i28 / B-i36

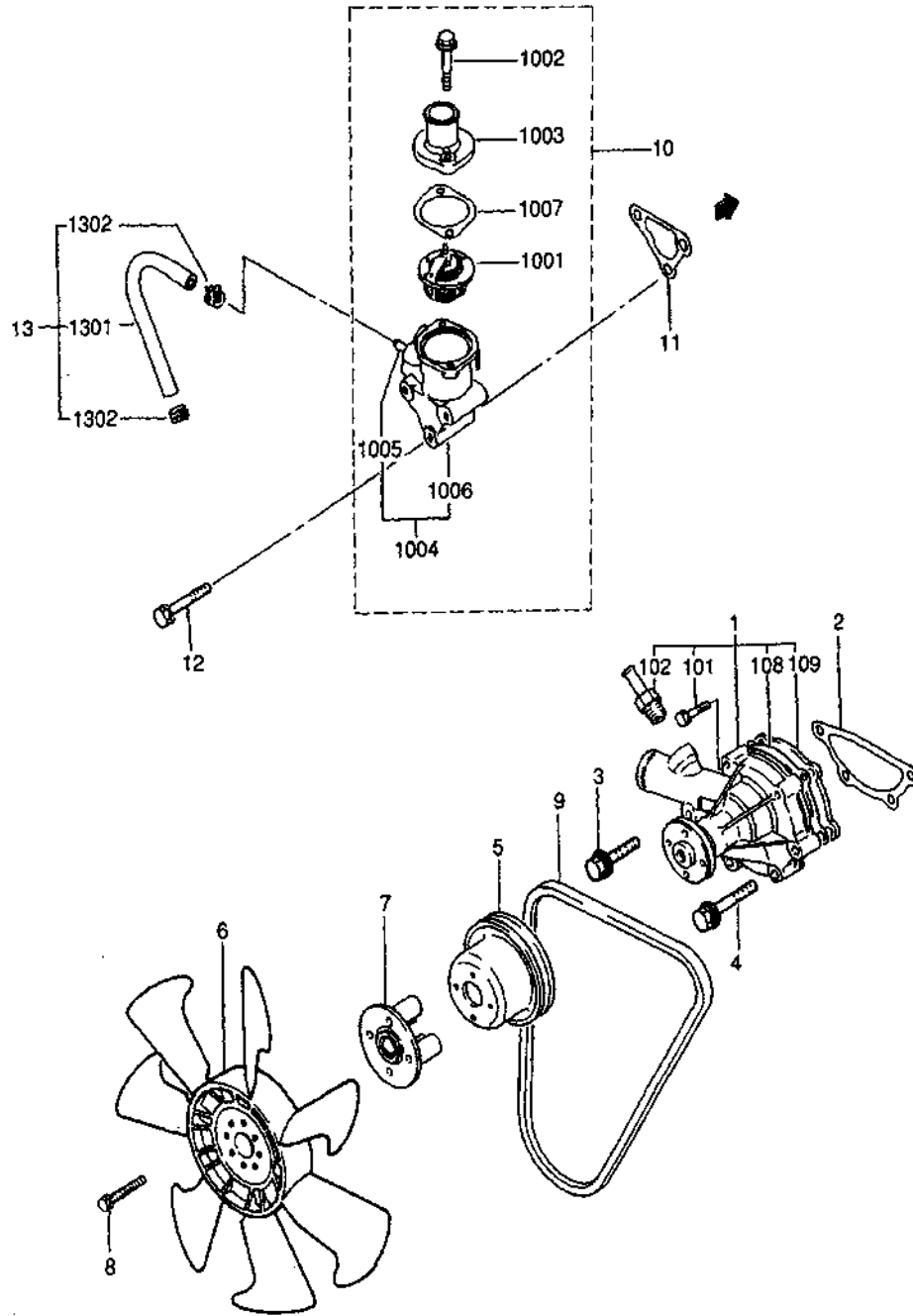
A-i28 / B-i36

**FIG. 36**

NO.	PART NO.	PART NAME & DESCRIPTION	QTY			APP.NO	REM.
			A	B	C		
1	31A35-05050	STRAINER ASSY	1	1			
01	MF430729	NUT, JAM	1	1			
2	MF660036	GASKET	1	1			
3	32A36-05011	VALVE ASSY, RELIEF	1	1			
01	*	HOUSING, VALVE	1	1			
02	*	PLUG	1	1			
03	*	GASKET	1	1			
04	*	SPRING, RELIEF	1	1			
05	*	PLUNGER, RELIEF	1	1			
4	F4202-22000	GASKET	1	1			
5	MD134953	FILTER ASSY, OIL	1	1			
6	31A42-10100	GAGE, OIL LEVEL	1	1			
7	MM430598	DRIVEN UNIT, METER	1	1			
01	MD701788	O-RING	1	1			
02	MF472535	PIN, SPRING	1	1			
03	MF520012	O-RING	1	1			
04	MM407171	GEAR	1	1			
05	MM430419	SLEEVE	1	1			
8	MD701789	PLATE	1	1			
9	F1805-06012	BOLT, W/WASHER	1	1			

# COOLING SYSTEM

FIG. 45



# COOLING SYSTEM

A-i28 / B-i36

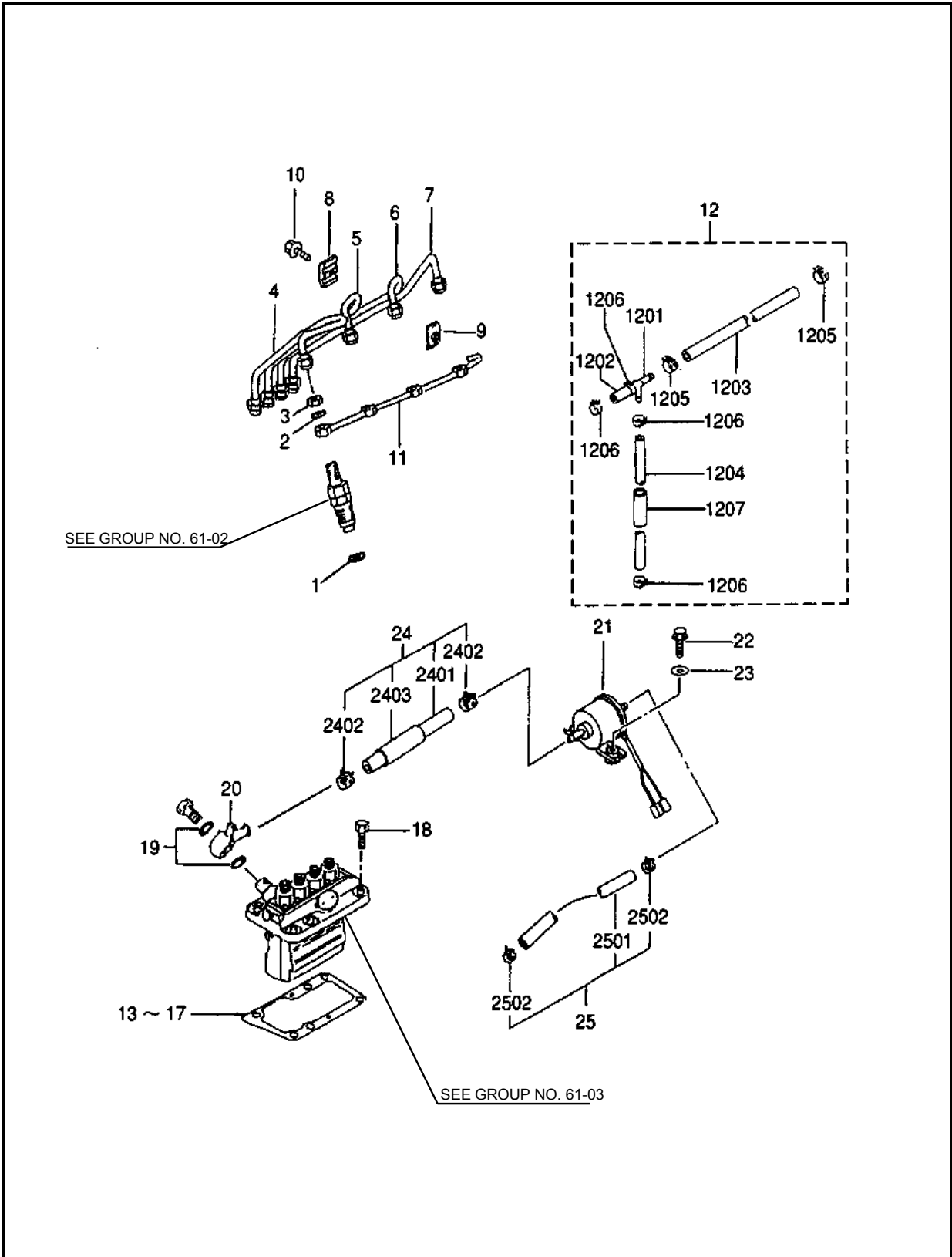
A-i28 / B-i36

**FIG. 45**

NO.	PART NO.	PART NAME & DESCRIPTION	QTY			APP.NO	REM.
			A	B	C		
1	MM409302	PUMP ASSY, WATER	1	1			
01	F1805-06030	BOLT, W/WASHER	2	2			
02	MM409314	JOINT, WATER PUMP	1	1			
08	MM409326	GASKET, WATER PUMP	1	1			
09	MM409327	PLATE, WATER PUMP	1	1			
2	MM407-42202	GASKET, WATER PUMP	1	1			
3	F1825-08045	BOLT, W/WASHER	3	3			
4	F1825-08060	BOLT, W/WASHER	1	1			
5	31A45-20700	PULLEY, W/PUMP 89	1	1			
6	30H48-00200	FAN, COOLING	1	1			
7	31A48-01100	SPACER, FAN	2	2			
8	MF241242	BOLT, W/WASHER	4	4			
9	MD041704	V-BELT	1	1			
10	31A46-01060	THERMOSTAT ASSY	1	1			
01	MD001370	THERMOSTAT	1	1			
02	MF140227	BOLT, FLANGE	2	2			
03	MM409-31301	COVER, THERMOSTAT	1	1			
04	31A46-00062	CASE ASSY, THERMOSTAT	1	1			
05	*	PIPE, THERMOSTAT	1	1			
06	*	CASE, THERMOSTAT	1	1			
07	31A46-01200	GASKET, THERMOSTAT	1	1			
11	31A46-10101	GASKET, THERMO CASE	1	1			
12	F1805-08065	BOLT, W/WASHER	3	3			
13	MM413196	HOSE ASSY	1	1			
01	MS603014	HOSE	1	1			
02	MS660164	CLIP	2	2			

# FUEL SYSTEM

FIG. 61-01



# FUEL SYSTEM

A-i28 / B-i36

A-i28 / B-i36

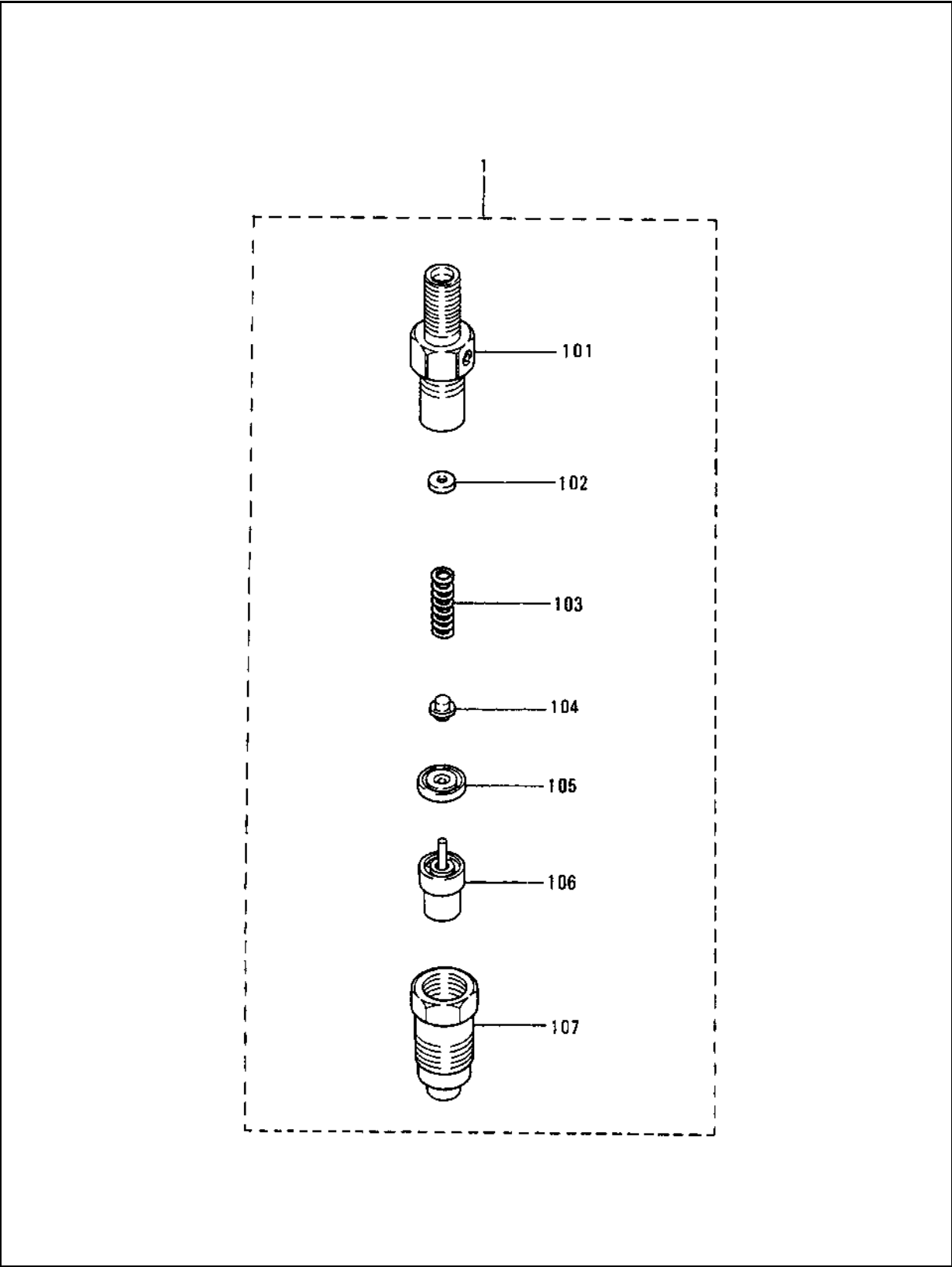
**FIG. 61-01**

NO.	PART NO.	PART NAME & DESCRIPTION	QTY			APP.NO	REM.
			A	B	C		
1	MD070717	GASKET, HOLDER	4	4			
2	MD068355	GASKET, FUEL RETURN	4	4			
3	MD068353	NUT	4	4			
4	31A61-04100	PIPE, INJECTION NO.1	1	1			
5	31A61-04200	PIPE, INJECTION NO.2	1	1			
6	31A61-04300	PIPE, INJECTION NO.3	1	1			
7	31A61-04400	PIPE, INJECTION NO.4	1	1			
8	MM430703	CLAMP (A)	3	3			
9	MM430614	CLAMP (B)	3	3			
10	F1825-06025	BOLT, W/WASHER	3	3			
11	31A61-12600	PIPE, FUEL LEAK OFF	1	1			
12	31A61-03200	HOSE ASSY, AIR VENT	1	1			
01	MM400886	JOINT	1	1			
02	MM430130	HOSE, FUEL	1	1			
03	MS602063	HOSE, FUEL	1	1			
04	MS604043	HOSE, FUEL	1	1			
05	MS660163	CLIP	2	2			
06	MS660169	CLIP	4	4			
07	31A61-01200	HOSE, RUBBER	1	1			
13	MM409036	SHIM	T=0.7	1	1		
14	MM409037	SHIM	T=0.8	1	1		
15	MM409038	SHIM	T=0.9	1	1		
16	MM409039	SHIM	T=1.0	1	1		
17	MM409031	SHIM	T=0.2	1	1		
18	F1035-08020	BOLT	6	6			
19	MK661-14000	WASHER, SEAL	2	2			
20	MM437140	COLOR, UNION	1	1			
21	MM436739	PUMP ASSY, FUEL	1	1			
22	F1805-06025	BOLT, W/WASHER	2	2			
23	MD107589	WASHER	2	2			
24	31A61-05102	HOSE ASSY, FUEL	1	1			
01	MS602035	HOSE, FUEL	1	1			
02	MS660163	CLIP	2	2			
03	31A61-01300	HOSE, RUBBER	1	1			
25	MM413205	HOSE ASSY, FUEL	1	1			
01	MS602063	HOSE, FUEL	1	1			
02	MS660163	CLIP	2	2			



# NOZZLE & NOZZLE HOLDER

FIG. 61-02



# NOZZLE & NOZZLE HOLDER

A-i28 / B-i36

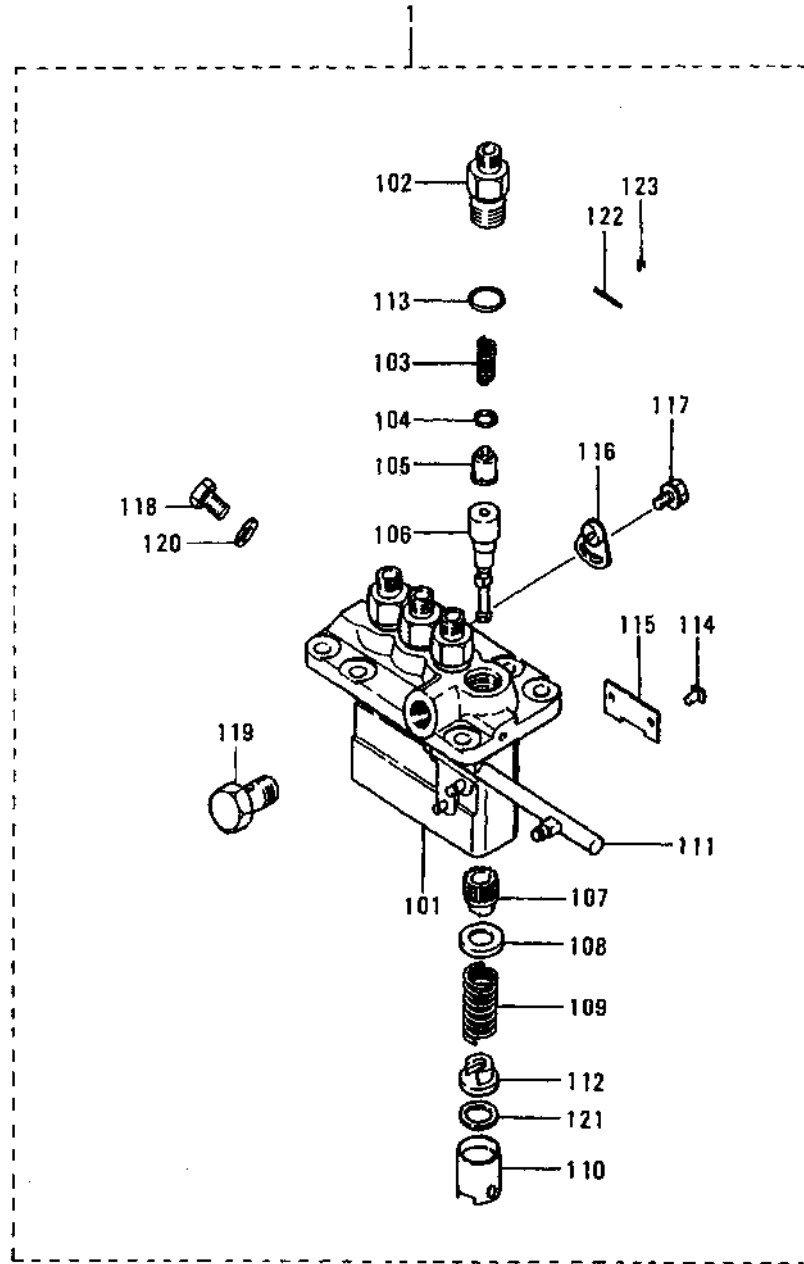
A-i28 / B-i36

**FIG. 61-02**

NO.	PART NO.	PART NAME & DESCRIPTION		QTY			APP.NO	REM.
				A	B	C		
1	MM435-94101	NOZZLE & HOLDER ASSY	093500-3840 DEN	4	4			
01	09311-03840	BODY SUB ASSY	MM514048	4	4			
02	09317-51810	WASHER	MD603490	AR	AR			
	09317-51830	WASHER	MD603491	AR	AR			
	09317-51850	WASHER	MD603492	AR	AR			
	09317-51870	WASHER	MD603493	AR	AR			
	09317-51890	WASHER	MD603494	AR	AR			
	09317-51910	WASHER	MD603495	AR	AR			
	09317-51930	WASHER	MD603496	AR	AR			
	09317-51950	WASHER	MD603497	AR	AR			
	09317-51970	WASHER	MD603498	AR	AR			
	09317-51990	WASHER	MD603499	AR	AR			
03	09312-70310	SPRING, PRESSURE	MM514047	4	4			
04	09312-10380	PIN, PRESSURE	MM501838	4	4			
05	09317-40070	PIECE, DISTANCE	MM501841	4	4			
06	09340-05060	NOZZLE ASSY	MD603660	4	4			
07	09316-41351	NUT, NOZZLE RETAINING	MM514380	4	4			

# INJECTION PUMP

FIG. 61-03-01



# INJECTION PUMP

A-i28 / B-i36

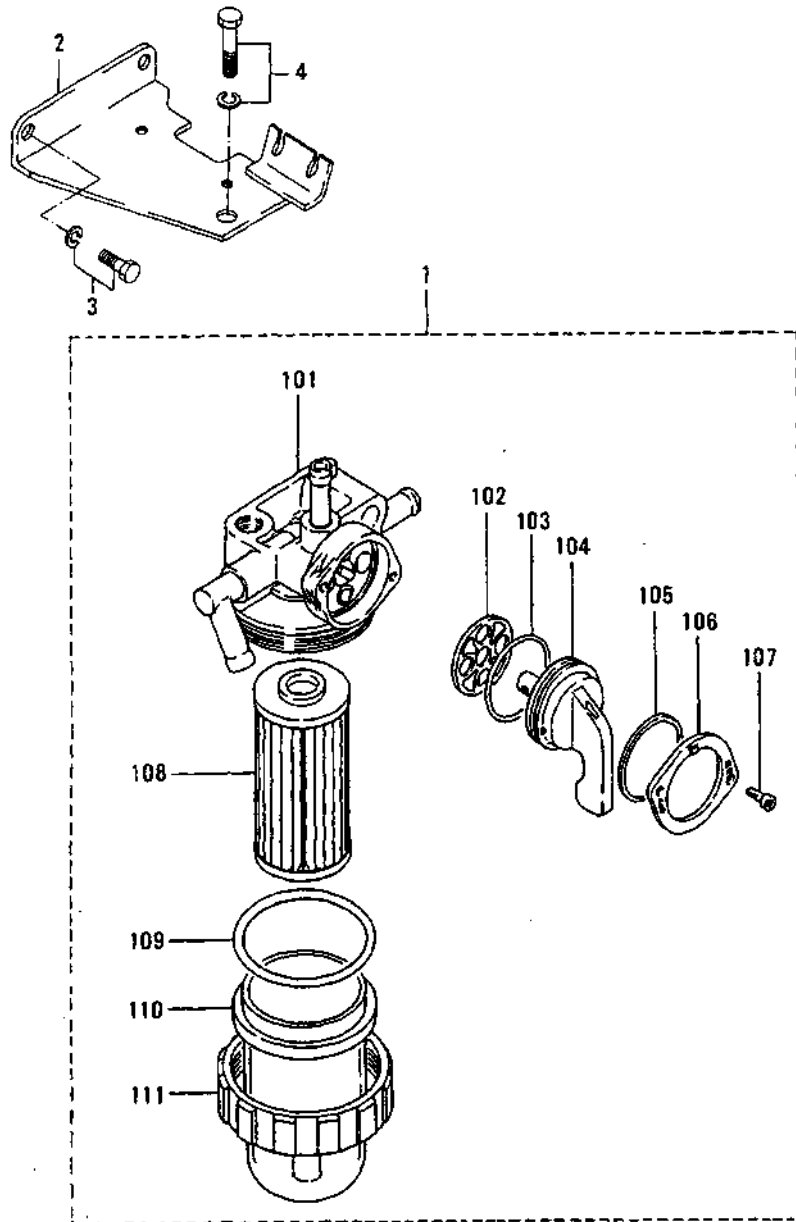
A-i28 / B-i36

**FIG. 61-03-01**

NO.	PART NO.	PART NAME & DESCRIPTION		QTY			APP.NO	REM.
				A	B	C		
1	31A65-20041	PUMP ASSY, FUEL INJ.	094500-6510 DEN	1	*			
	31A65-21040	PUMP ASSY, FUEL INJ.	094500-6444 NDC	*	1			
01	09011-05070	HOUSING SUB ASSY	47X01-04200	1	1			
02	09013-10520	HOLDER, DELIVERY	MM501507	4	4			
03	09013-60640	SPRING, DELIVERY	MM501385	4	4			
04	09013-70130	GASKET, DELIVERY	MM501856	4	4			
05	09014-02500	VALVE SUB ASSY	47X01-04300	4	*			
	09014-02610	VALVE SUB ASSY	47X01-07700	*	4			
06	09015-05450	ELEMENT SUB ASSY	47X01-04400	4	4			
07	09016-10210	SLEEVE, CONTROL	MM500229	4	4			
08	09016-30082	SEAT, SPRING UPPER	MM501098	4	4			
09	09016-40170	SPRING, PLUNGER	MM500360	4	4			
10	09017-00170	TAPPET SUB ASSY	MM500230	4	4			
11	09021-00440	RACK ASSY, CONTROL	MM501255	1	1			
12	09030-10060	SEAT, SPRING LOWER	MM500316	4	4			
13	90802-20150	O-RING	MM500438	4	4			
14	09018-30050	PIN, TAPPET GUIDE	MM500231	4	4			
15	09046-70030	PLATE	MM500232	2	2			
16	09006-80020	PLATE, ADJUSTING	MM514109	3	3			
17	94904-80800	BOLT, WASHER HEAD	MM514195	3	3			
18	09024-40180	SCREW, AIR BLEEDER	MM501152	1	1			
19	94918-00310	SCREW, HOLLOW	MM500100	1	1			
20	94901-81020	WASHER, PLATE	MM500578	1	1			
21	*	PLATE, SHIM		AR	AR			
22	09450-36510	PLATE, NAME	47X01-06300	1	*			
	09450-36444	PLATE, NAME	47X01-05700	*	1			
23	94903-00030	RIVET	MM500429	2	2			

# FUEL FILTER

FIG. 62



# FUEL FILTER

A-i28 / B-i36

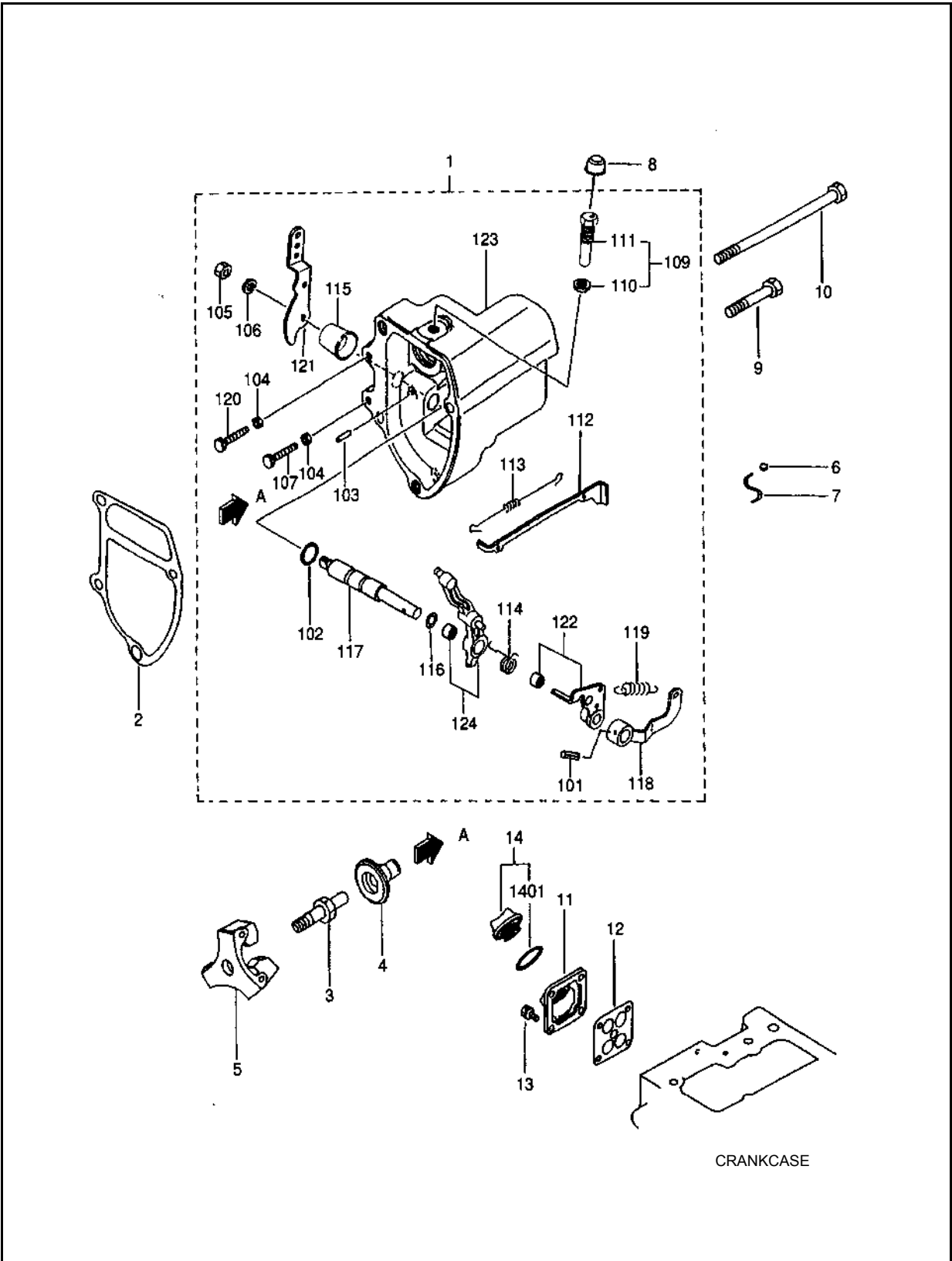
A-i28 / B-i36

**FIG. 62**

NO.	PART NO.	PART NAME & DESCRIPTION		QTY			APP.NO	REM.
				A	B	C		
1	MM438739	FILTER ASSY, FUEL	094500-6510 DEN	1	1			
01	MM438743	BODY	094500-6444 NDC	1	1			
02	MM438748	PACKING, VALVE	47X01-04200	1	1			
03	MM409866	O-RING, VALVE	MM501507	1	1			
04	MM438747	LEVER	MM501385	1	1			
05	MM409864	WASHER, WAVE	MM501856	1	1			
06	MM409865	PLATE, LEVER	47X01-04300	1	1			
07	MF200003	SCREW	47X01-07700	2	2			
08	MM320886	ELEMENT	47X01-04400	1	1			
09	MM409869	O-RING, FILTER CUP	MM500229	1	1			
10	MM320881	CUP, FILTER	MM501098	1	1			
11	MM409868	NUT, RING	MM500360	1	1			
2	31A62-21100	BRACKET, FUEL FILTER	MM500230	1	1			
3	F1805-08016	BOLT, W/WASHER	MM501255	2	2			
4	F1805-10020	BOLT, W/WASHER	MM500316	1	1			

# GOVERNOR

FIG. 63-01



# GOVERNOR

A-i28 / B-i36

A-i28

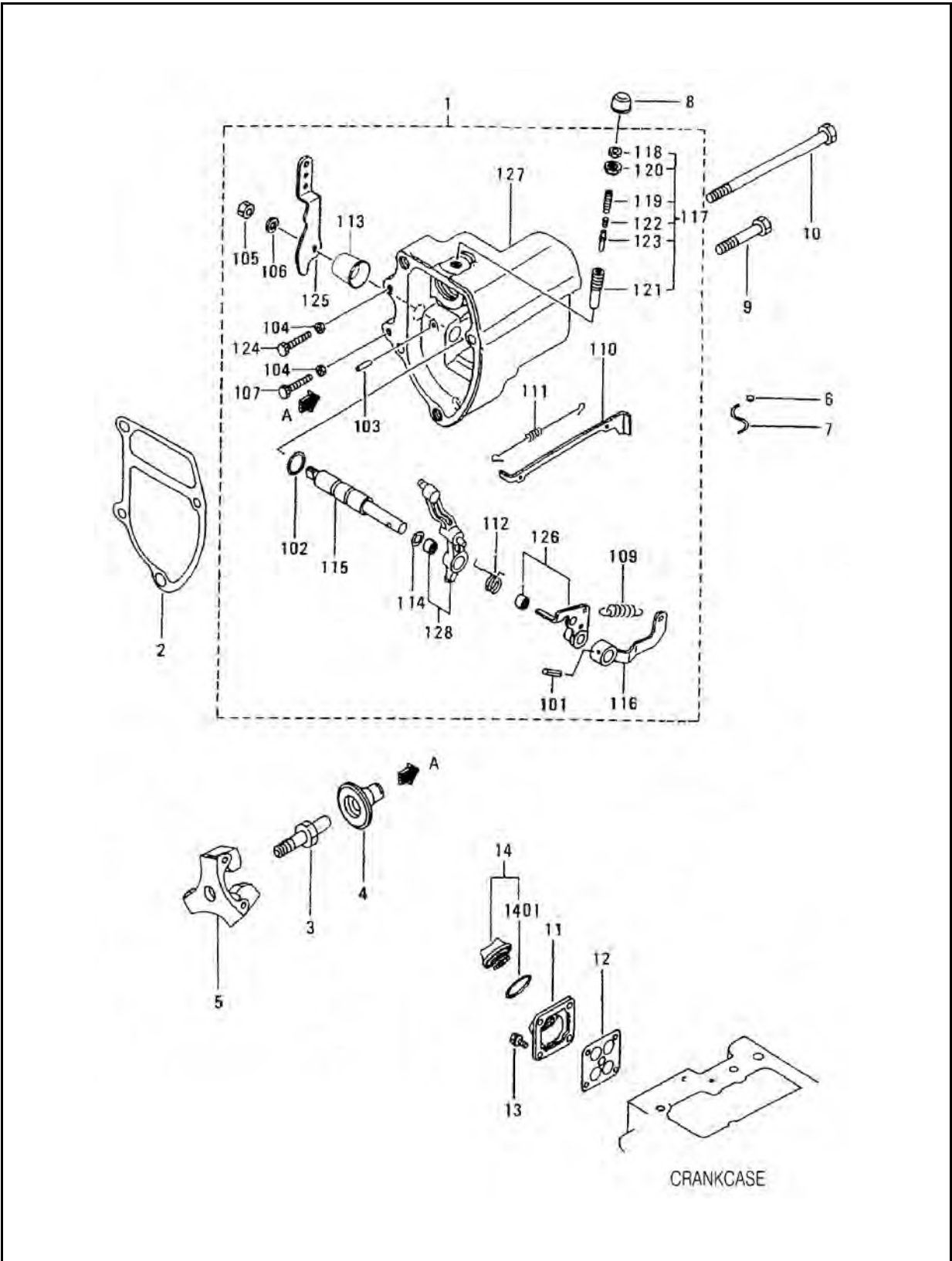
**FIG. 63-01**

NO.	PART NO.	PART NAME & DESCRIPTION	QTY			APP.NO	REM.
			A	B	C		
1	31A63-55021	CASE ASSY, GOVERNOR	1				
01	F2850-03020	PIN, SPRING	1				
02	F3150-01010	O-RING	1				
03	K8712630	PIN, GROOVED	1				
04	MF430004	NUT	2				
05	MF430725	NUT, JAM	1				
06	MF450405	WASHER, SPRING	1				
07	MM331-31701	BOLT, SPEED SET	1				
09	30L63-00020	SCREW ASSY, RACK SET	1				
10	30L63-00600	NUT, TORQUE SET	1				
11	31A63-05601	SCREW, RACK SET	1				
12	31A63-00400	TIE-ROD	1				
13	31A63-00500	SPRING, TIE-ROD	1				
14	31A63-01400	SPRING, START	1				
15	31A63-01800	COVER, GOVERNOR	1				
16	31A63-02400	SHIM, GOVERNOR SHAFT	1				
17	31A63-02600	SHAFT, GOVERNOR	1				
18	31A63-02700	LEVER, GOV. SPRING	1				
19	31A63-03300	SPRING, GOVERNOR	1				
20	31A63-07900	BOLT, LOW IDLE SET	1				
21	31A63-11301	LEVER, SPEED CONTROL	1				
22	31A63-00071	LEVER ASSY, TENSION	1				
23	31A63-22100	CASE, GOVERNOR	1				
24	31A63-10090	LEVER ASSY, GOVERNOR	1				
2	31A63-12201	GASKET, GOVERNOR CASE	1				
3	31A63-10305	SHAFT, SLIDING SLEEVE	1				
4	31A63-20201	SLEEVE, SLIDING	1				
5	31A63-11061	WEIGHT ASSY, GOVERNOR	1				
6	MK992-00001	METAL	1				
7	MK993-00240	WIRE	1				
8	MM433614	CAP, TORQUE SET	1				
9	F1035-08045	BOLT	3				
10	31A63-02300	BOLT, GOVERNOR CASE	1				
11	MM435288	OIL, INLET	1				
12	MM435249	PROTECTOR, OIL INLET	1				
13	F1805-06018	BOLT, W/WASHER	4				
14	MM300540	CAP ASSY, OIL FILLER	1				
01	MF520402	O-RING	1				



# GOVERNOR

FIG. 63-01



# GOVERNOR

A-i28 / B-i36

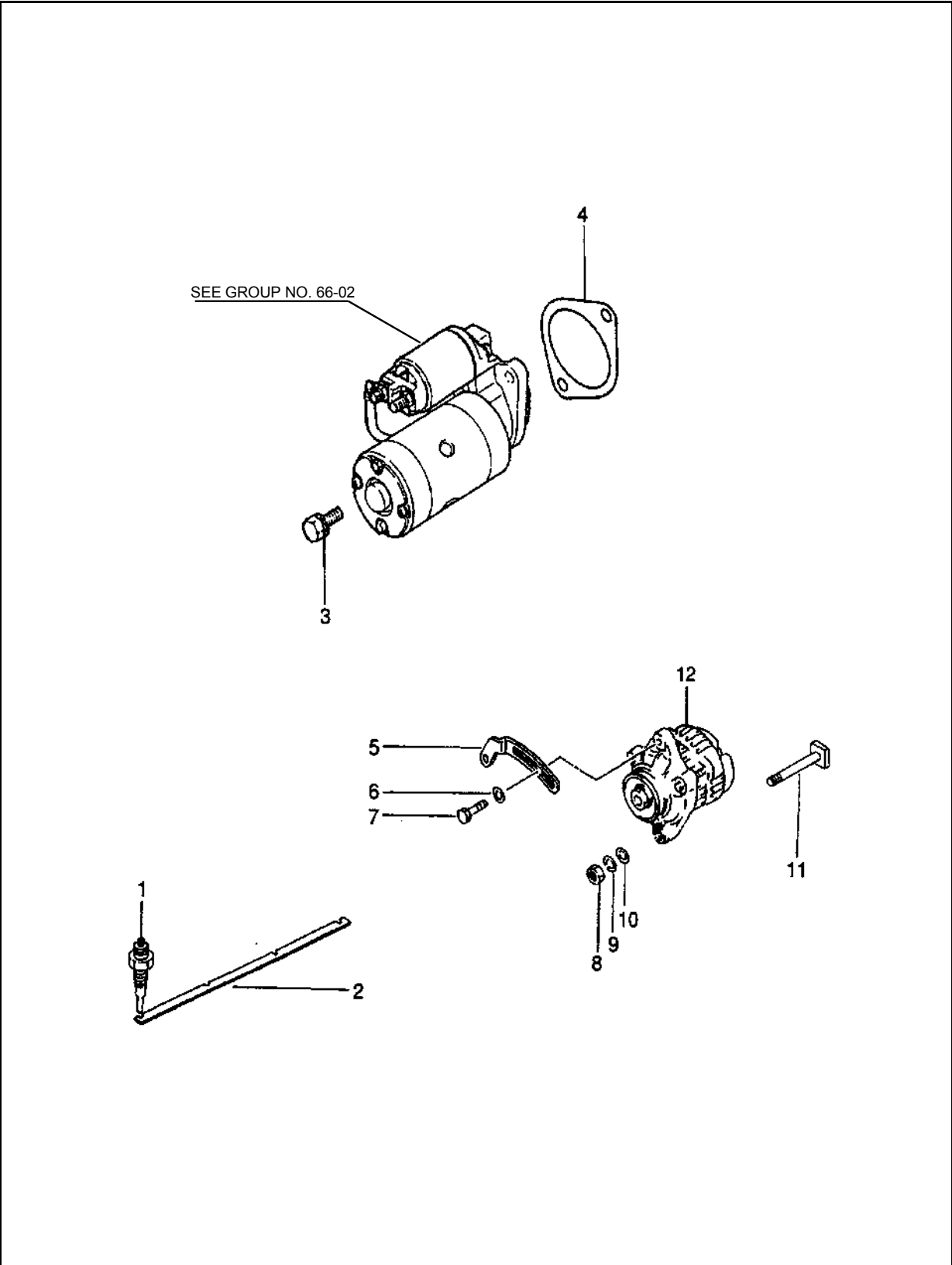
A-i36

**FIG. 63-01**

NO.	PART NO.	PART NAME & DESCRIPTION	QTY			APP.NO	REM.
			A	B	C		
1	31A63-09010	CASE ASSY, GOVERNOR	1				
01	F2850-03020	PIN, SPRING	1				
02	F3150-01010	O-RING	1				
03	K8712630	PIN, GROOVED	1				
04	MF430004	NUT	2				
05	MF430725	NUT, JAM	1				
06	MF450405	WASHER, SPRING	1				
07	MM331-31701	BOLT, SPEED SET	1				
09	MM433673	SPRING	1				
10	31A63-00400	TIE-ROD	1				
11	31A63-00500	SPRING, TIE-ROD	1				
12	31A63-01400	SPRING, START	1				
13	31A63-01800	COVER, GOVERNOR	1				
14	31A63-02400	SHIM, GOVERNOR SHAFT	1				
15	31A63-02600	SHAFT, GOVERNOR	1				
16	31A63-02700	LEVER, GOV. SPRING	1				
17	31A63-04040	SPRING SET, TORQUE	1				
18	MD000961	NUT	1				
19	MD019845	SCREW, ADJUSTING	1				
20	MM433233	NUT,SPECIAL	1				
21	MM434542	CASE, TORQUE SPRING	1				
22	MM435203	SPRING, TORQUE	1				
23	31A63-04200	STOPPER, SPRING	1				
24	31A63-07900	BOLT, LOW IDLE SET	1				
25	31A63-11301	LEVER, SPEED CONTROL	1				
26	31A63-00071	LEVER ASSY, TENSION	1				
27	31A63-22100	CASE, GOVERNOR	1				
28	31A63-10090	LEVER ASSY, GOVERNOR	1				
2	31A63-12201	GASKET, GOVERNOR CASE	1				
3	31A63-10305	SHAFT, SLIDING SLEEVE	1				
4	31A63-20201	SLEEVE, SLIDING	1				
5	31A63-11061	WEIGHT ASSY, GOVERNOR	1				
6	MK992-00001	METAL	1				
7	MK993-00240	WIRE	1				
8	MM433614	CAP, TORQUE SET	1				
9	F1035-08045	BOLT	3				
10	31A63-02300	BOLT, GOVERNOR CASE	1				
11	MM435288	OIL, INLET	1				
12	MM435249	PROTECTOR, OIL INLET	1				
13	F1805-06018	BOLT, W/WASHER	4				

# ELECTRIC PARTS

FIG. 66-01



# ELECTRIC PARTS

A-i28 / B-i36

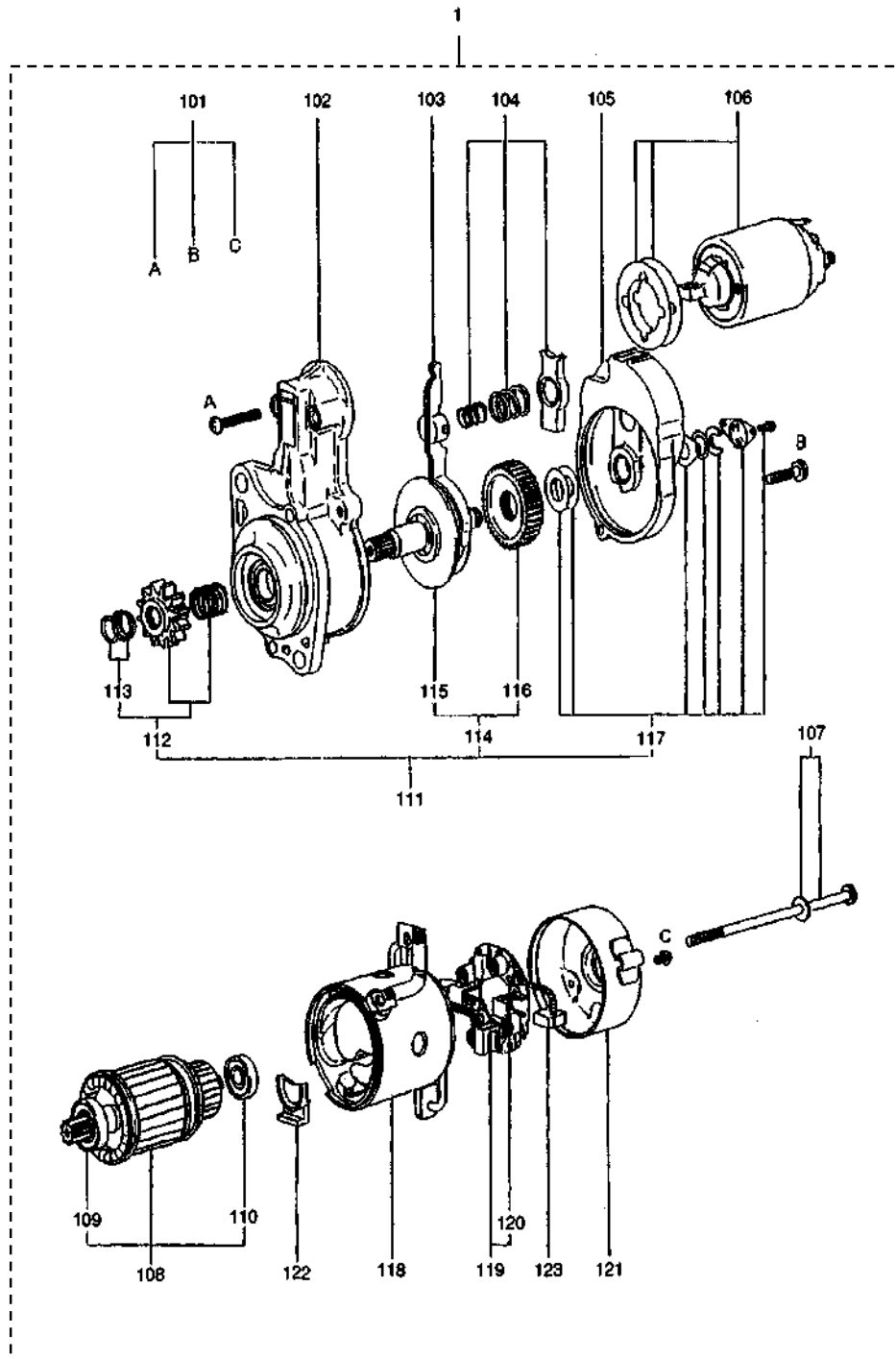
A-i28 / B-i36

**FIG. 66-01**

NO.	PART NO.	PART NAME & DESCRIPTION	QTY			APP.NO	REM.
			A	B	C		
1	32A66-03100	PLUG, GLOW	1	1			
2	31A66-04101	PLATE, CONNECTION	1	1			
3	F1805-10025	BOLT, W/WASHER	1	1			
4	MM409-41901	GASKET, STARTER	1	1			
5	31A68-02100	PLATE, ADJUSTING	1	1			
6	MD001521	WASHER	1	1			
7	MF140026	BOLT, FLANGE	1	1			
8	MF430006	NUT	2	2			
9	MF450406	WASHER, SPRING	1	1			
10	MF450006	WASHER, PLAIN	1	1			
11	31A68-20300	BOLT, ALTERNATOR	1	1			
12	31A68-00402	ALTERNATOR ASSY	1	1			

# STARTER (12V-2.0Kw)

FIG. 66-02



# STARTER (12V-2.0Kw)

A-i28 / B-i36

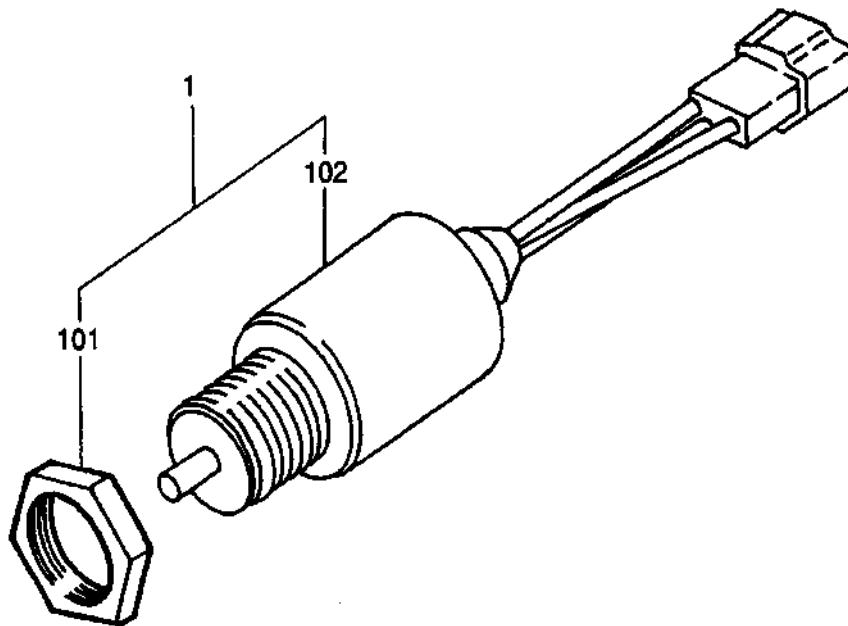
A-i28 / B-i36

**FIG. 66-02**

NO.	PART NO.	PART NAME & DESCRIPTION		QTY			APP.NO	REM.
				A	B	C		
1	MM409413	STARTER ASSY	M002T56272 MEC	1	1			
01	M414X-04871	SCREW SET	30A66-00200	1	1			
02	M641X-65471	BRACKET ASSY, FRONT	MM502452	1	1			
03	M863C-06171	LEVER ASSY	MD607633	1	1			
04	M389X-11472	SPRING SET	MD607446	1	1			
05	M640B-27771	BRACKET ASSY, CENTER	MM502441	1	1			
06	M372X-00471	SWITCH ASSY	MD607634	1	1			
07	M901X-00371	BOLT SET	30A66-00300	1	1			
08	M106X-29871	ARMATURE SET	MD607636	1	1			
09	S930P-16470	BEARING, FRONT	MD607643	1	1			
10	S930P-60470	BEARING, REAR	MD607638	1	1			
11	M357X-85371	SHAFT ASSY, CLUTCH	MM502438	1	1			
12	M605X-30671	PINION SET	MM502439	1	1			
13	M385X-03771	STOPER SET	ME700124	1	1			
14	M231X-01371	GEAR SET	MM502442	1	1			
15	M357T-73171	SHAFT ASSY, PINION	MD607642	1	1			
16	M231C-01301	GEAR	MM502443	1	1			
17	M212X-11771	COVER SET	MM700125	1	1			
18	M800X-44972	YOKE ASSY	MM502453	1	1			
19	M649T-05071	HOLDER ASSY, BRUSH	ME700127	1	1			
20	M391C-02501	SPRING, BRUSH	ME700128	4	4			
21	M644B-21201	BRACKET ASSY, REAR	30A66-00400	1	1			
22	M578D-22801	PACKING	MM502444	1	1			
23	M648C-28271	BRUSH	30A66-00500	1	1			

# CONTROL SYSTEM

FIG. 87

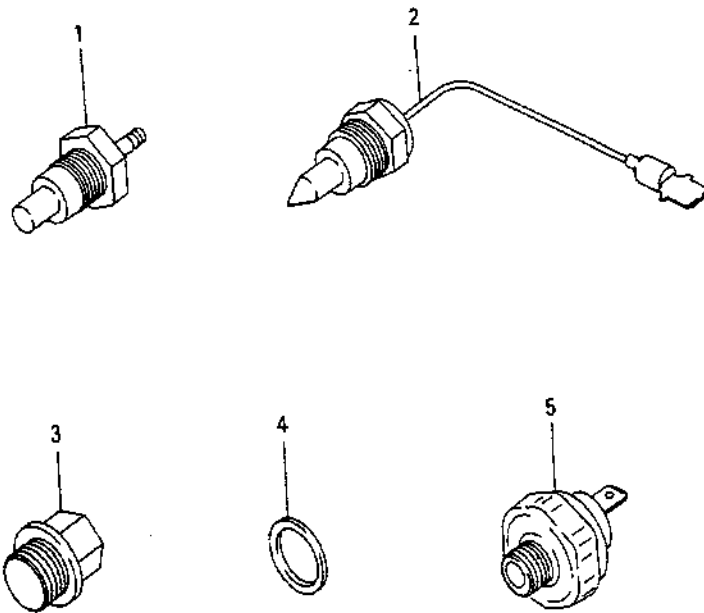






# INSTRUMENT

FIG. 90







# OVERHAUL GASKET KIT

A-i28 / B-i36

A-i28 / B-i36

**FIG. 94**

NO.	PART NO.	PART NAME & DESCRIPTION	QTY			APP.NO	REM.
			A	B	C		
1	31A94-30011	GASKET KIT, (O/H)	1	1			
01	F4202-22000	GASKET	1	1			
02	MD000551	GASKET	1	1			
03	MD068355	GASKET, FUEL RETURN	4	4			
04	MD070717	GASKET, HOLDER	4	4			
05	MD115472	SEAL, VALVE STEM	8	8			
06	MD701788	O-RING	1	1			
07	MF520012	O-RING	1	1			
08	MF660036	GASKET	1	1			
09	MF660065	GASKET, OIL DRAIN	2	2			
10	MM401-20601	GASKET, O/PUMP COVER	2	2			
11	MM407-42202	GASKET, WATER PUMP	1	1			
12	MM409326	GASKET, WATER PUMP	1	1			
13	MM409-41901	GASKET, STARTER	1	1			
14	MM409869	O-RING, FILTER CUP	1	1			
15	MM435249	PROTECTOR, OIL INLET	1	1			
16	30A30-00200	GASKET, MUFFLER	1	1			
17	30636-25901	GASKET	1	1			
18	31A01-33300	GASKET, CYLINDER HEAD	1	1			
19	31A04-33202	GASKET, ROCKER COVER	1	1			
20	31A07-02401	GASKET, REAR	1	1			
21	31A07-11701	GASKET, OIL SEAL	1	1			
22	31A07-11901	GASKET, FRONT PLATE	1	1			
23	31A07-12200	SEAL, SIDE	4	4			
24	31A11-05201	GASKET, HOUSING	1	1			
25	31A11-11101	GASKET, GEAR	1	1			
26	31A30-00801	GASKET, INLET PIPE	1	1			
27	31A30-10902	GASKET, INLET COVER	1	1			
28	31A32-01200	GASKET, EXHAUST	1	1			
29	31A35-02300	PACKING, BODY	1	1			
30	31A46-10101	GASKET, THERMO CASE	1	1			
31	31A63-12201	GASKET, GOVERNOR CASE	1	1			
32	32A91-05100	GASKET, LIQUID	1	1			